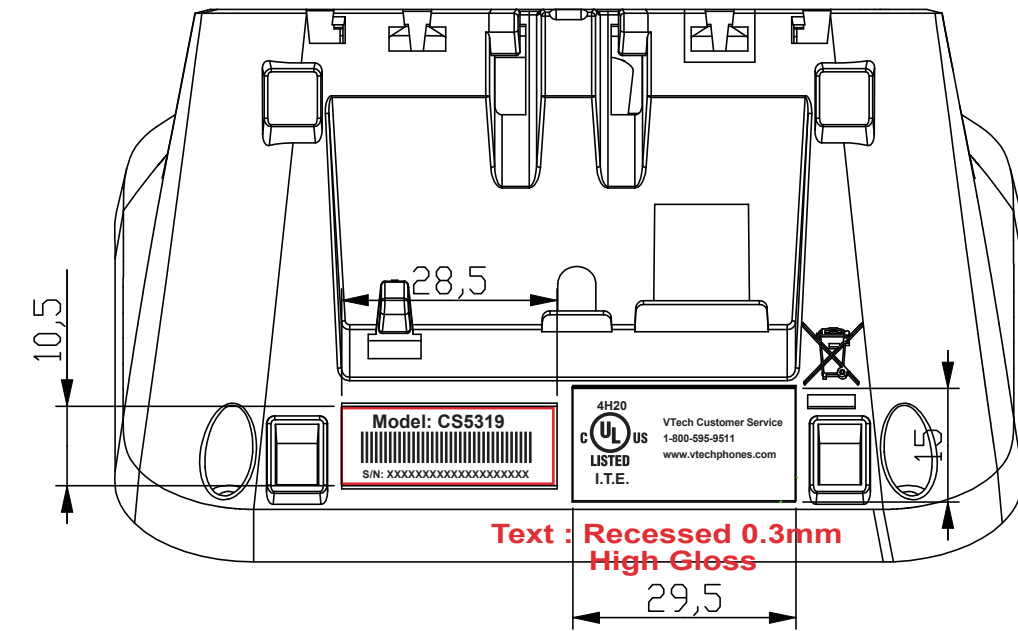


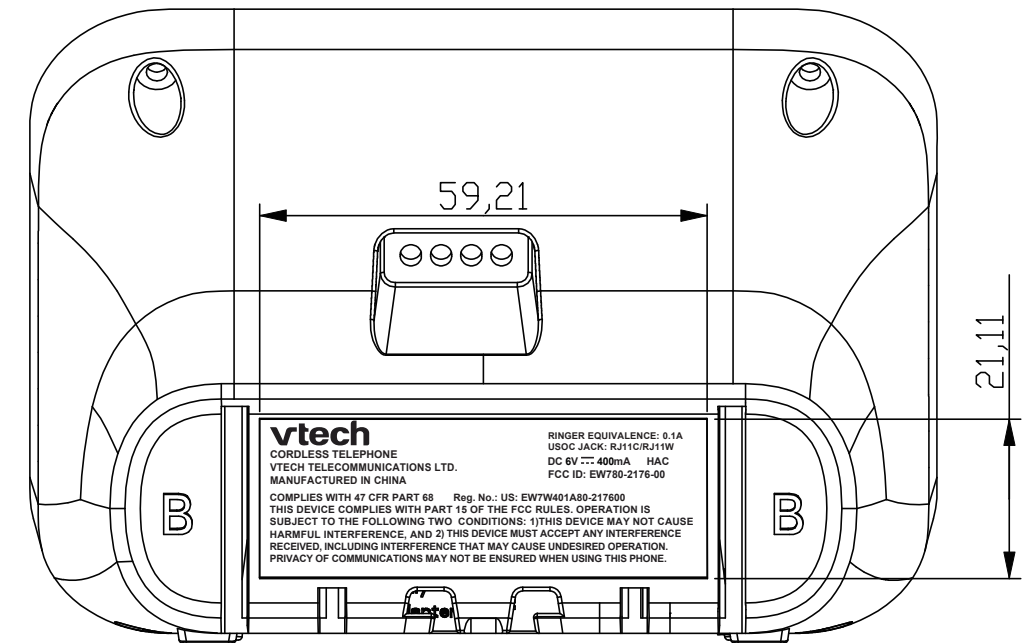
SN Label
28X10 mm

Model: CS5319
XXXXXXXXXXXXXXXXXXXX

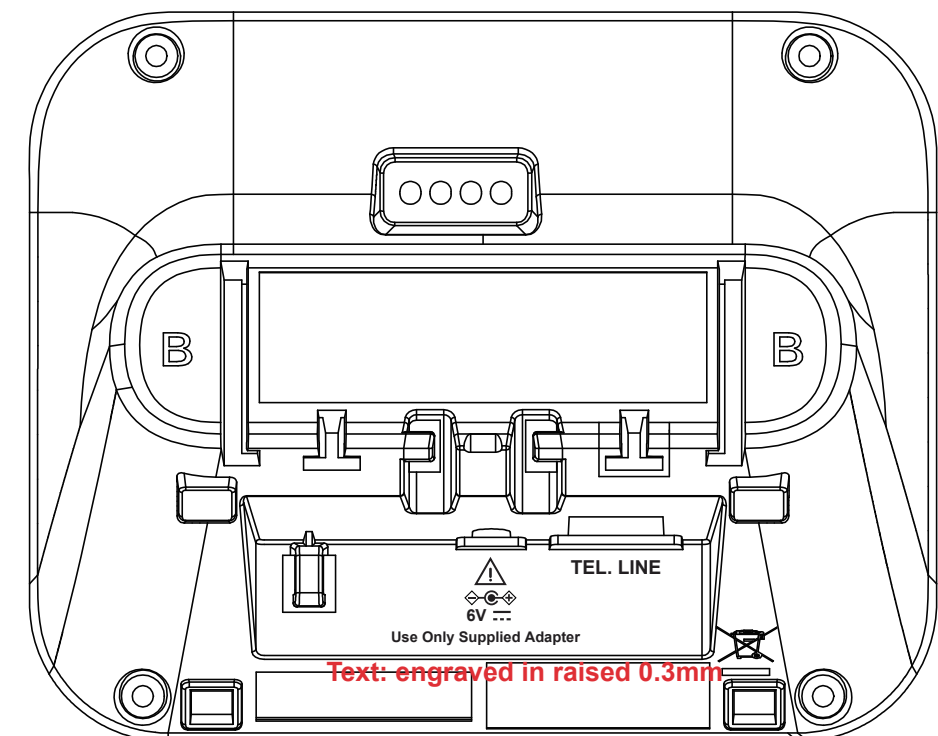
Model: CS5319-2
XXXXXXXXXXXXXXXXXXXX



Text : Recessed 0.3mm
High Gloss



Text : Recessed 0.3mm
High Gloss



Text: engraved in raised 0.3mm