

Model: CS5319 BS ANT1

Antenna description:

This Monopole antenna is optimized and used in the Base unit. This antenna is directly soldered to the ANT1 RF output in the main PCB.

Model Number	Description
CS5319 Base ANT1	1.9GHZ Monopole

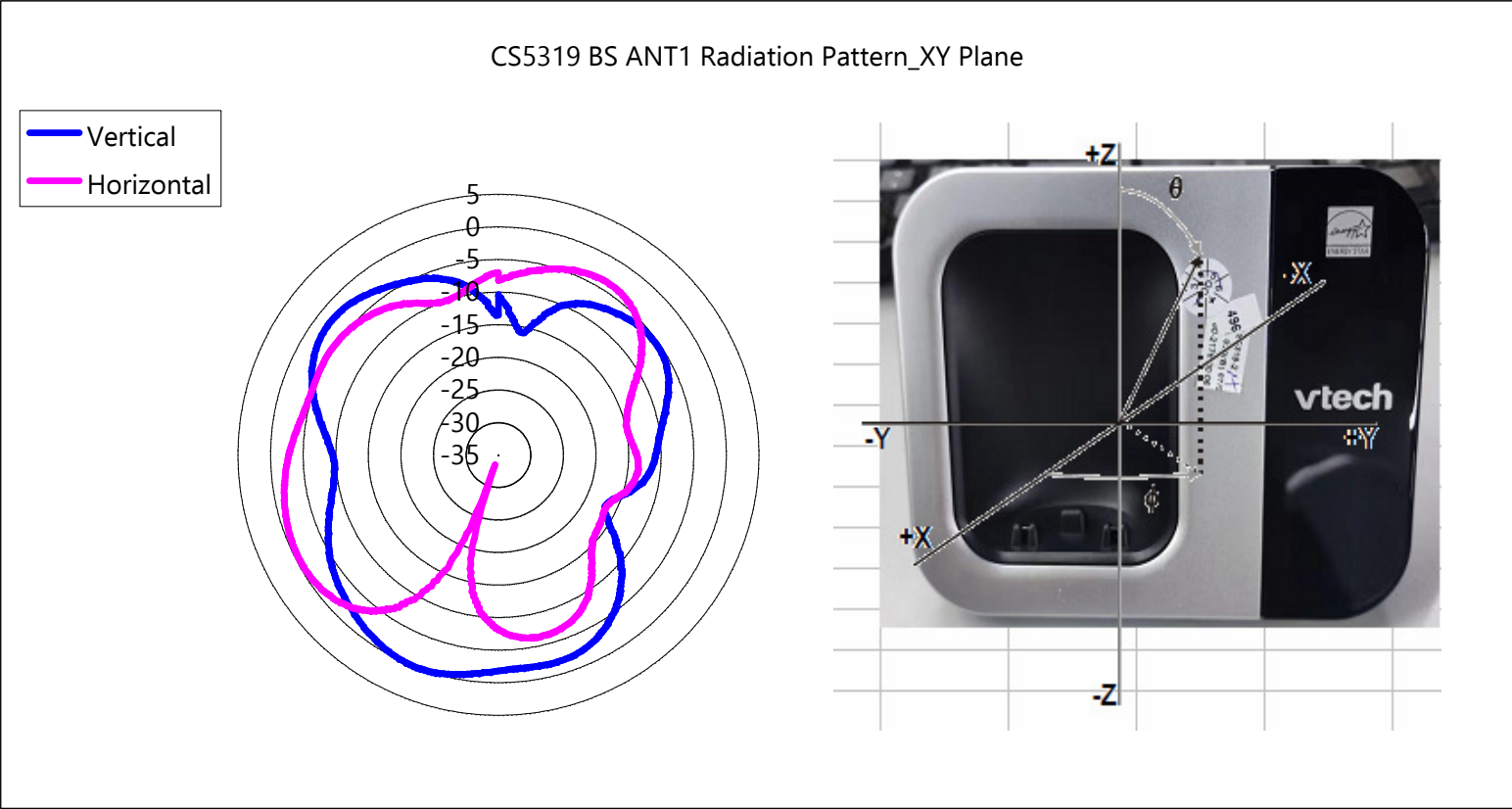
Specification:

Operation Frequency Range	1921.536 to 1928.448 MHZ
Maximum Gain	0 dBi
Type	Monopole
Operation bandwidth	70MHz
Nominal Impedance	~50 ohms
Manufacturer	Vtech Telecommunications Ltd
Manufacturer address	23/F, Tai Ping Industrial Centre, Blk1, 57 Ting Kok Road, Tai Po, Hong Kong
Model number	ANT-CS5319-F-DE-1

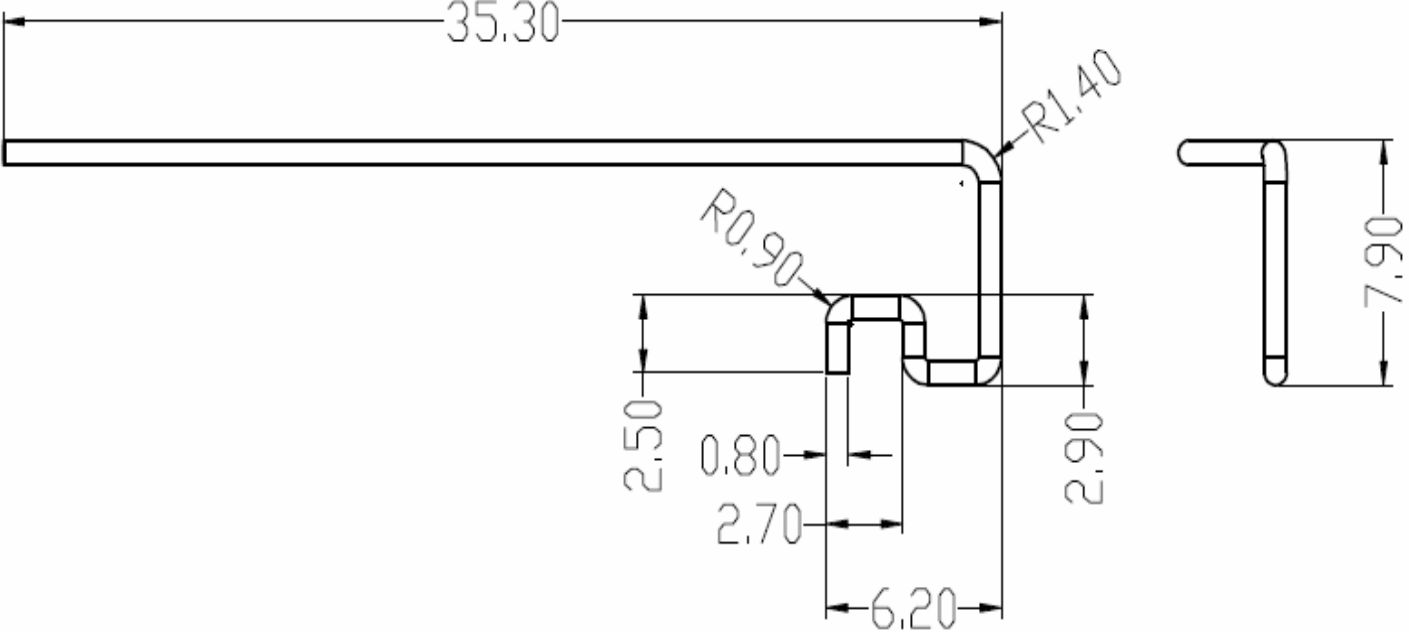
***NOTE: Frequency and Orientation with maximum Antenna Gain.**

Frequency: 1924.992 MHZ

	Vertical	Horizontal
Antenna Gain (dBi)	0.00	-0.46



CS5319 Base ANT1 Dimensions in mm



Model: CS5319 BS BT ANT

Antenna description:

This Printed F Antenna is optimized and used in the Base unit. This antenna is directly soldered to the BT ANT RF output in the main PCB.

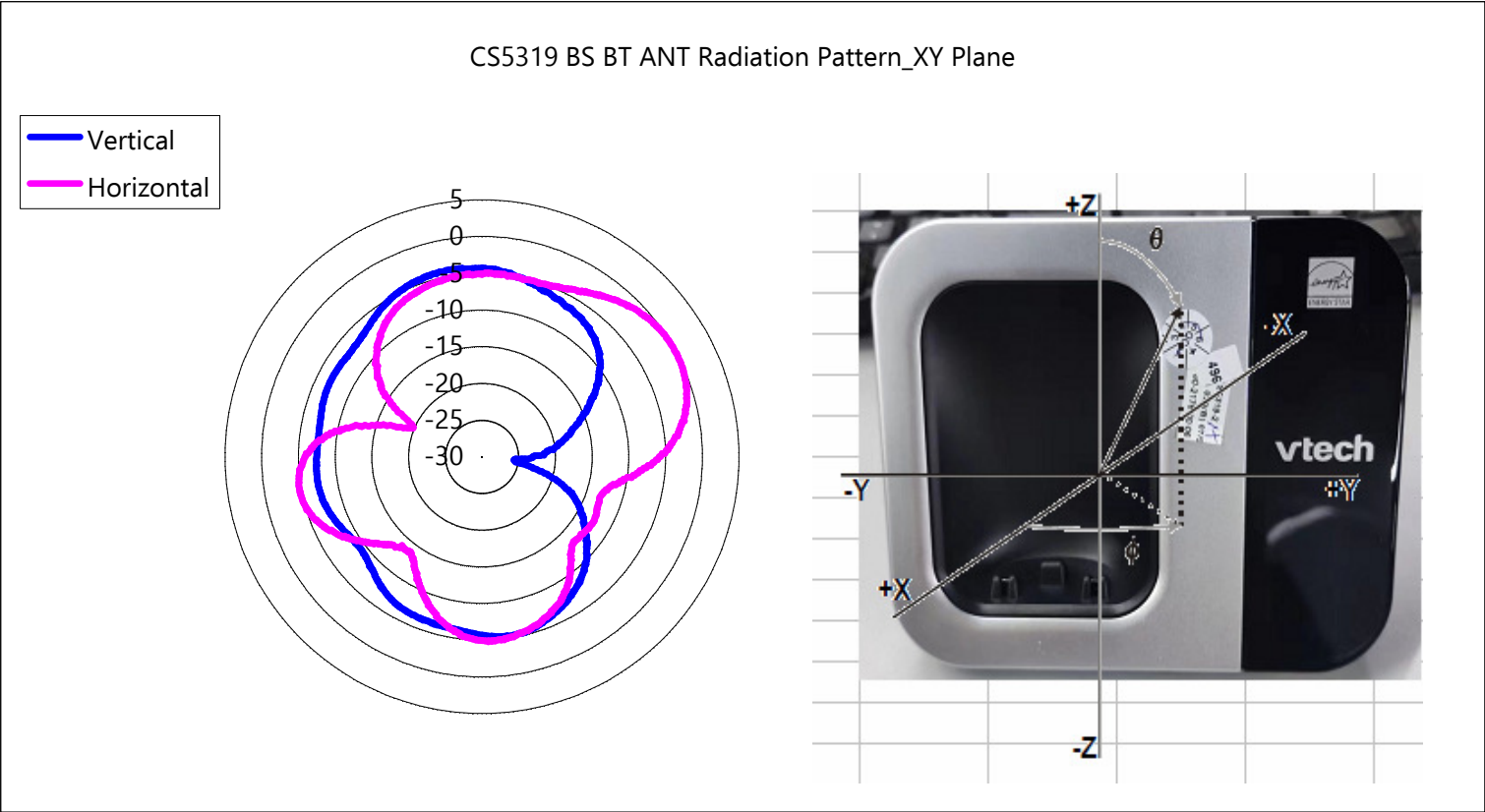
Model Number	Description
CS5319 Base BT ANT	2.4GHZ Printed F Antenna

Specification:

Operation Frequency Range	2402 to 2480 MHZ
Maximum Gain	0 dBi
Type	Printed F Antenna
Operation bandwidth	70MHz
Nominal Impedance	~50 ohms
Manufacturer	Vtech Telecommunications Ltd
Manufacturer address	23/F, Tai Ping Industrial Centre, Blk1, 57 Ting Kok Road, Tai Po, Hong Kong
Model number	ANT-CS5319-F-BT-0

Frequency: 2480 MHz (the frequency with maximum gain)

	Vertical	Horizontal
Antenna Gain (dBi)	-4.16	0.00



CS5319 BS BT Antenna Dimensions in mm

