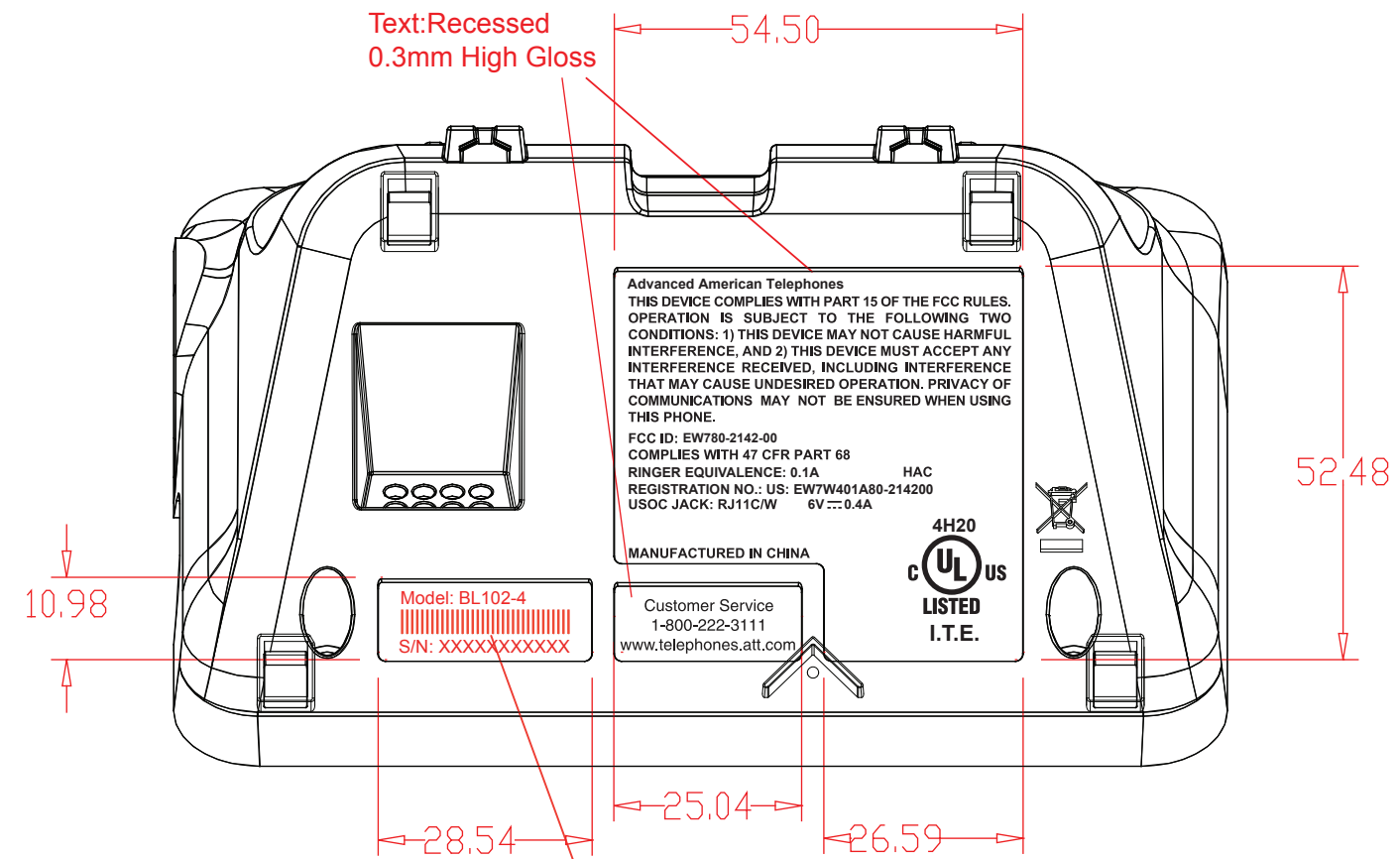


# BASE



Serial No. Label(size: 28x10mm)  
Model: BL102-4  
The red serial number and barcode will be printed in VTT

Model: BL 102  
S/N: XXXXXXXXXXXX

Model: BL 102-2  
S/N: XXXXXXXXXXXX

Model: BL 102-3  
S/N: XXXXXXXXXXXX

Model: BL 102-4  
S/N: XXXXXXXXXXXX

Model: BL 102-5  
S/N: XXXXXXXXXXXX

Text: Raised 0.3mm

