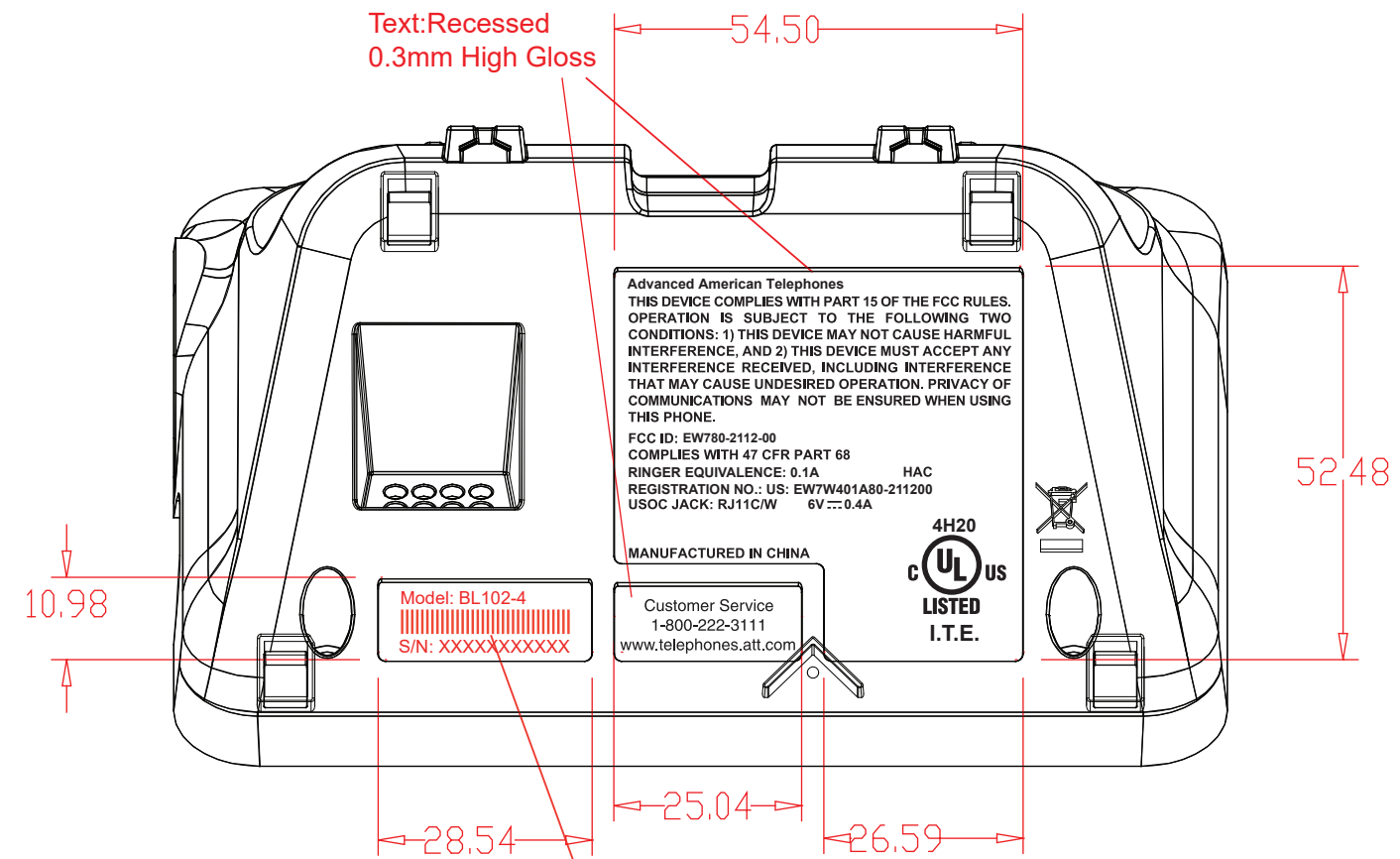


BASE



Serial No. Label(size: 28x10mm)
Model: BL102-4
The red serial number and barcode will be printed in VTT

