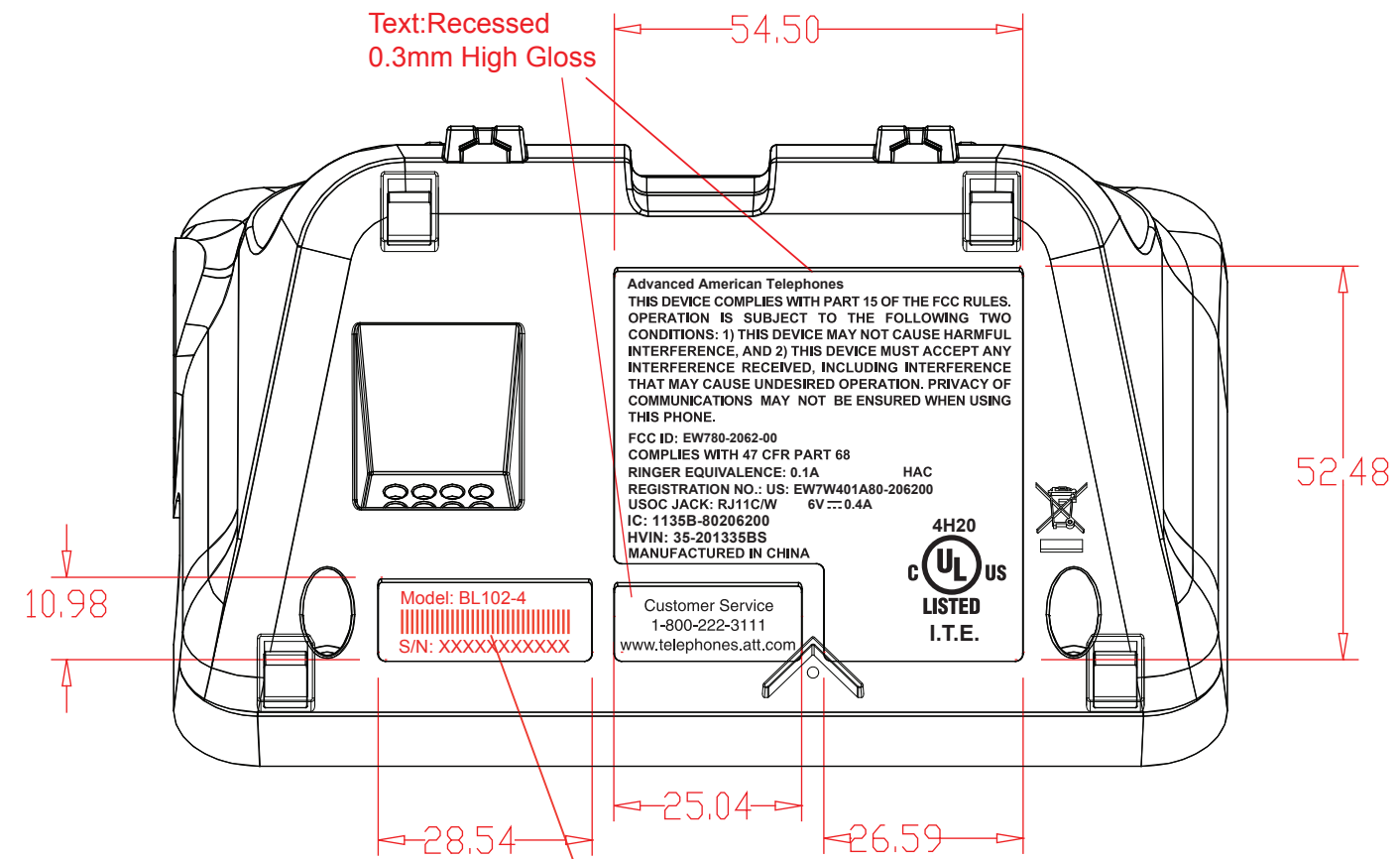
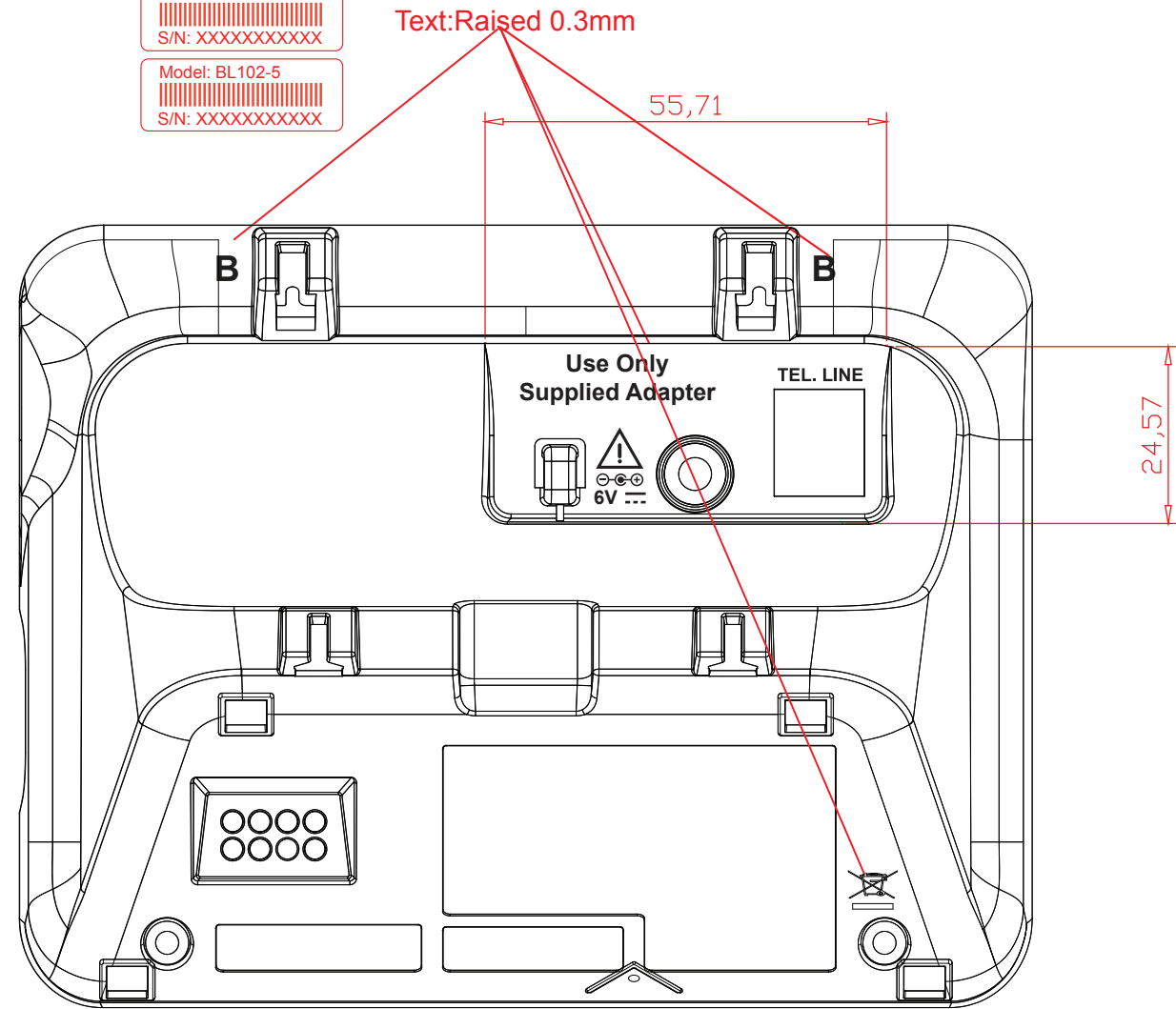


BASE

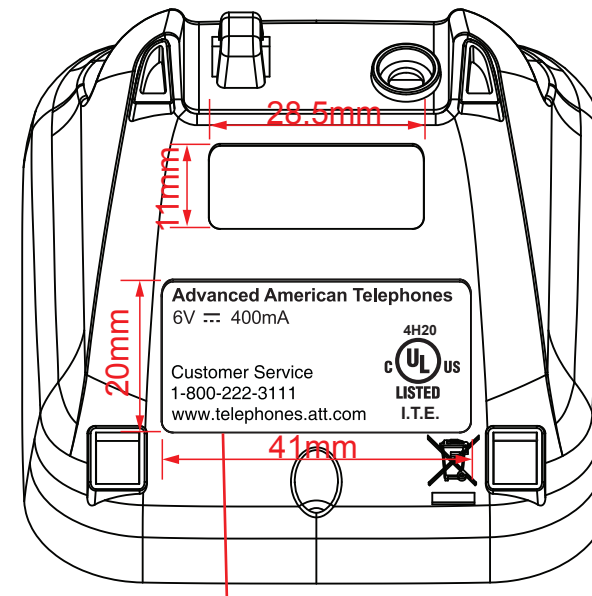


Serial No. Label(size: 28x10mm)
Model: BL102-4
The red serial number and barcode will be printed in VTT

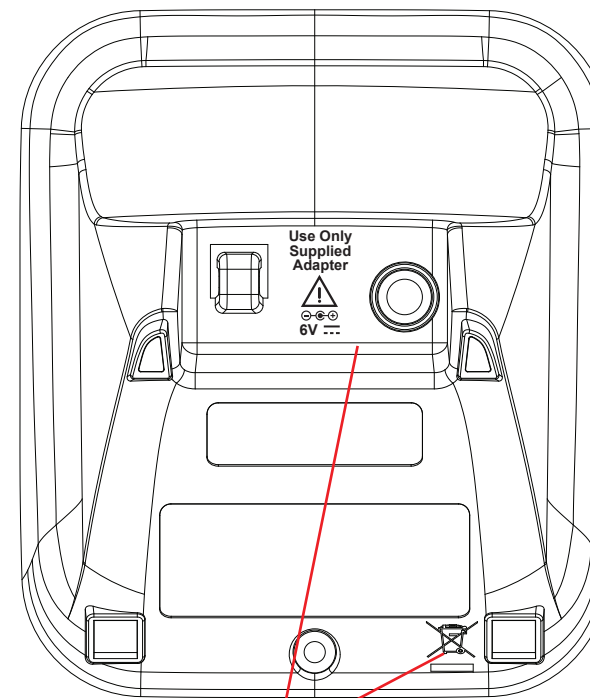
- Model: BL102
S/N: XXXXXXXXXXXX
- Model: BL102-2
S/N: XXXXXXXXXXXX
- Model: BL102-3
S/N: XXXXXXXXXXXX
- Model: BL102-4
S/N: XXXXXXXXXXXX
- Model: BL102-5
S/N: XXXXXXXXXXXX



Charger

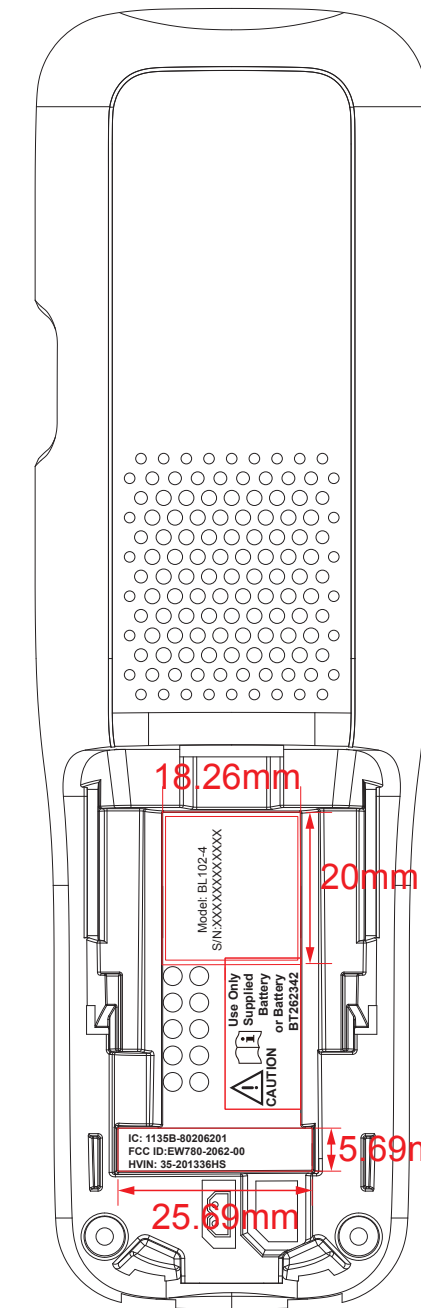


Text: engraved in recessed 0.3mm depth, text surface in high gloss



Text: engraved in raised 0.3mm

HS



92-035867-000-100
Serial No. Label(size: 19x17.5mm)
Model: BL102-X

- Model: BL102-0
S/N: XXXXXXXXXXXX
- Model: BL102
S/N: XXXXXXXXXXXX
- Model: BL102-2
S/N: XXXXXXXXXXXX
- Model: BL102-3
S/N: XXXXXXXXXXXX
- Model: BL102-4
S/N: XXXXXXXXXXXX
- Model: BL102-5
S/N: XXXXXXXXXXXX