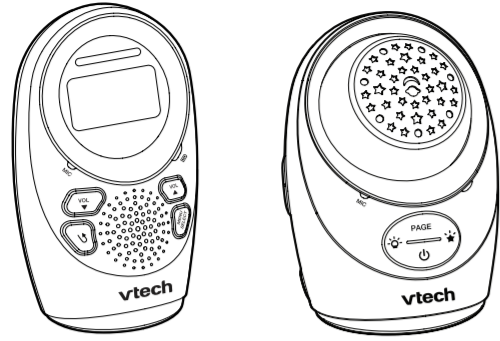


Go to www.vtechphones.com to register your product for enhanced warranty support and the latest VTech product news.

DM1212
DM1212-2

Audio Baby Monitor



vtech
Quick start guide

Specifications are subject to change without notice.
© 2020 VTech Communications, Inc. Q55_VA
All rights reserved. 01_20_DM1212-X



Frequency control	Crystal controlled PLL synthesizer
Transmit frequency	Baby unit: 1921.536-1928.448 MHz Parent unit: 1921.536-1928.448 MHz
Channels	5
LCD	35 (x) x 21.2 (y) mm B&W LCD
Nominal effective range	Maximum power allowed by FCC and IC. Actual operating range may vary according to environmental conditions at the time of use.
Power requirement	Parent unit: 2.4 V Ni-MH battery Baby unit power adapter: Output: 6V DC 400mA Parent unit power adapter: Output: 6V DC 400mA
TECHNICAL SPECIFICATIONS	

IMPORTANT SAFETY INSTRUCTIONS

- When using your equipment, basic safety precautions should always be followed to reduce the risk of fire, electric shock and injury, including the following:
- Follow all warnings and instructions marked on the product.
 - Adult setup is required.
 - This product is not a substitute for adult supervision of the infant. Supervising the infant is the parent's or caregiver's responsibility. This product could cease operating, and therefore you should not assume it will continue working properly for any given period of time. Further, this is not a medical device and should not be used as such. This product is intended to assist you in supervising your baby.
 - Do not use this product near water. For example, do not use it next to a bath tub, wash bowl, kitchen sink, laundry tub or swimming pool, or in a wet basement or shower.
 - CAUTION:** Use only the batteries indicated in this manual. There may be a risk of explosion if a wrong type of battery is used for the parent unit. Use only the supplied rechargeable battery or replacement battery pack (B116342/B1266342) for the parent unit. Do not dispose of batteries in a fire. They may explode. Dispose of used battery according to the information in **The RBRC seal**.
 - Use only the adapters included with this product. Incorrect adapter polarity or voltage can seriously damage the product. Baby unit power adapter: Output: 6V DC 400mA; Parent unit power adapter: Output: 6V DC 400mA.
 - The power adapters are intended to be correctly oriented in a vertical or floor mount position. The prongs are not designed to hold the plug in place if it is plugged into a ceiling, under-the-table or cabinet outlet.
 - For pluggable equipment, the socket-outlet shall be installed near the equipment and shall be easily accessible.
 - Unplug this product from the wall outlet before cleaning. Do not use liquid or aerosol cleaners. Use a damp cloth for cleaning.
 - Unplug the power cords before replacing batteries.
 - Do not cut off the power adapters to replace them with other plugs, as this causes a hazardous situation.
 - Do not allow anything to rest on the power cords. Do not install this product where the cords may be walked on or crimped.
 - This product should be operated only from the type of power source indicated on the marking label. If you are not sure of the type of power supply in your home, consult your dealer or local power company.
 - Do not overload wall outlets or use an extension cord.
 - Do not place this product on an unstable table, shelf, stand or other unstable surfaces.
 - This product should not be placed in any area where proper ventilation is not provided. Slots and openings in the back or bottom of this product are provided for ventilation. To protect them from overheating, these openings must not be blocked by placing the product on a soft surface such as a bed, sofa or rug. This product should never be placed near or over a radiator or heat register.
 - Never push objects of any kind into this product through the slots because they may touch dangerous voltage points or create a short circuit. Never spill liquid of any kind on the product.
 - To reduce the risk of electric shock, do not disassemble this product, but take it to an authorized service facility. Opening or removing parts of the product other than specified access doors may expose you to dangerous voltages or other risks. Incorrect reassembly can cause electric shock when the product is subsequently used.
 - You should test the sound reception every time you turn on the units or move one of the components.
 - Periodically examine all components for damage.
 - Be aware of possible loss of privacy while using public airwaves. Conversations may be picked up by other nursery monitors, cordless phones, scanners, etc.
 - Children should be supervised to ensure that they do not play with the product.
 - The product is not intended for use by persons (including children) with reduced physical, sensory or mental capabilities, or lack of experience and knowledge, unless they have been given supervision or instruction concerning use of the appliance by a person responsible for their safety.

SAVE THESE INSTRUCTIONS

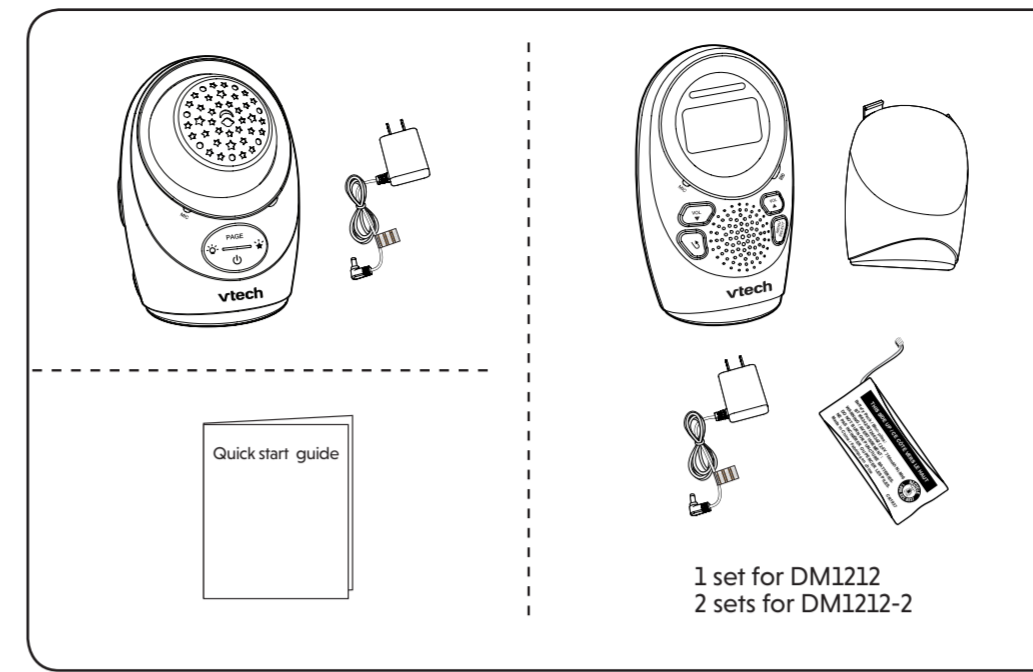
- Cautions**
- Use and store the product at a temperature between 32°F and 104°F.
 - Do not expose the product to extreme cold, heat or direct sunlight. Do not put the product close to a heating source. Batteries should not be exposed to excessive heat such as bright sunshine or fire.
 - Warning—Strangulation Hazard—Children have STRANGLED in cords.** Keep this cord out of the reach of children (more than 3 ft (0.9 m) away). Do not remove this tag.
 - Never place the baby unit inside the baby's crib or playpen. Never cover the baby unit or parent unit with anything such as a towel or a blanket.
 - Other electronic products may cause interference with your baby monitor. Try installing your baby monitor as far away from these electronic devices as possible: wireless routers, radios, cellular telephones, intercoms, room monitors, televisions, personal computers, kitchen appliances and cordless telephones.

Precautions for users of implanted cardiac pacemakers
Cardiac pacemakers (applies only to digital cordless devices):
Wireless Technology Research, LLC (WTR), an independent research entity, led a multidisciplinary evaluation of the interference between portable wireless devices and implanted cardiac pacemakers. Supported by the U.S. Food and Drug Administration, WTR recommends to physicians that:

- Pacemaker patients**
- Should keep wireless devices at least six inches from the pacemaker.
 - Should NOT place wireless devices directly over the pacemaker, such as in a breast pocket, when it is turned ON. WTR's evaluation did not identify any risk to bystanders with pacemakers from other persons using wireless devices.

Electromagnetic fields (EMF)
This VTech product complies with all standards regarding electromagnetic fields (EMF). If handled properly and according to the instructions in this user's manual, the product is safe to be used based on scientific evidence available today.

WHAT'S IN THE BOX

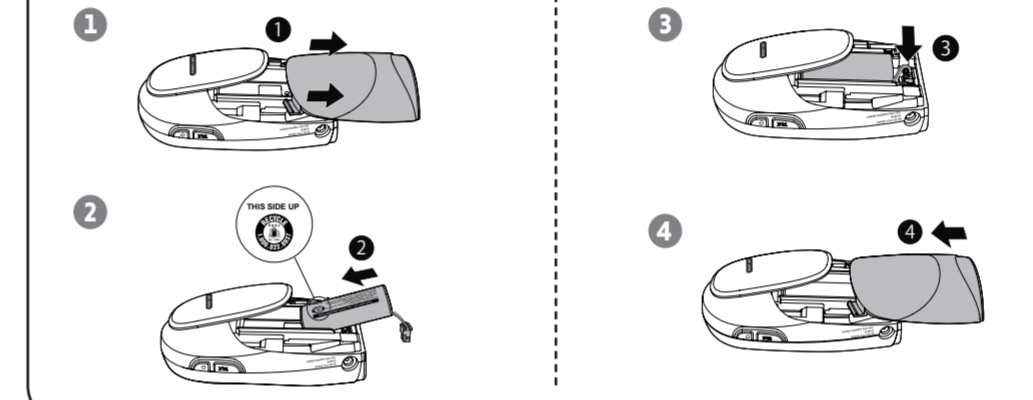


1 CONNECT AND CHARGE THE BATTERY

Install the parent unit battery

NOTES

- Use only the battery supplied with this product.
- If the parent unit will not be used for a long time, disconnect and remove the battery to prevent possible leakage.

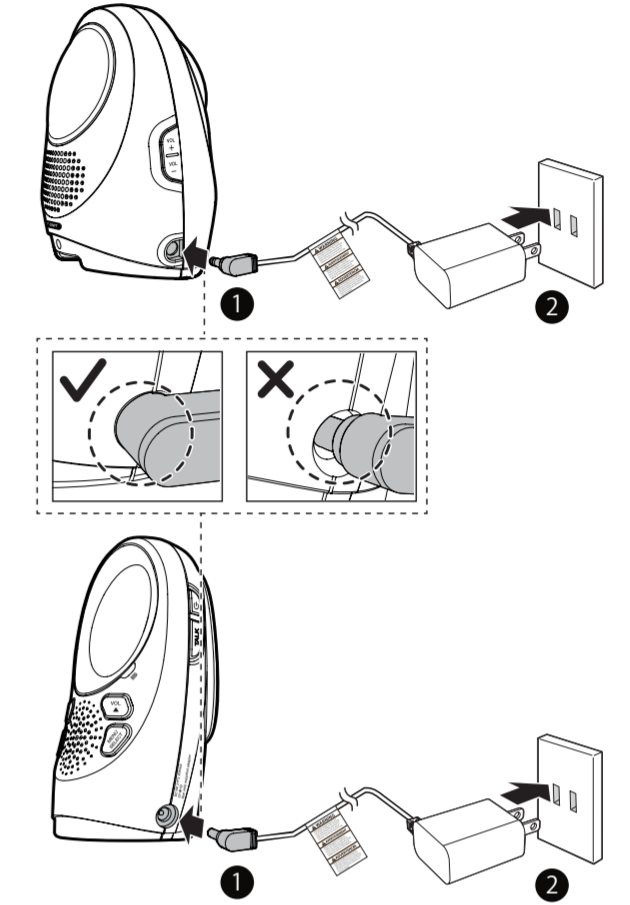


1 CONNECT AND CHARGE THE BATTERY

Connect the baby monitor

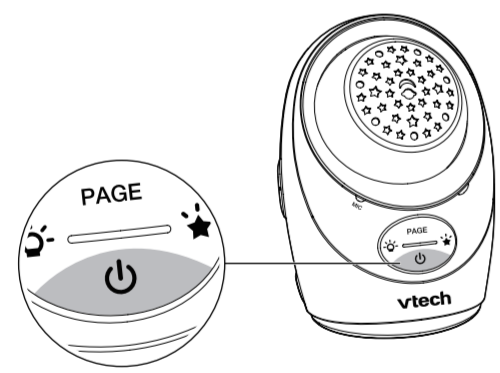
NOTES

- Use only the power adapters supplied with this product.
- Make sure the baby monitor is not connected to a switch-controlled electric outlet.
- Connect the power adapters in a vertical or floor mount position only. The adapters' prongs are not designed to hold the weight of baby monitor, so do not connect them to any ceiling, under-the-table, or cabinet outlets. Otherwise, the adapters may not properly connect to the outlets.
- Make sure the parent unit, the baby unit and the power adapter cords are out of reach of children.
- With audio reminder feature preset to **ON**, the parent unit plays an audio reminder when it is connected to a baby unit.

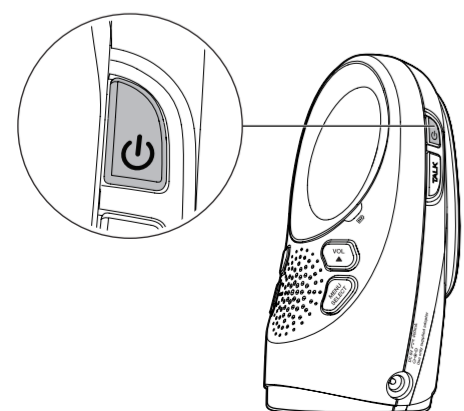


2 POWER ON OR OFF THE BABY MONITOR

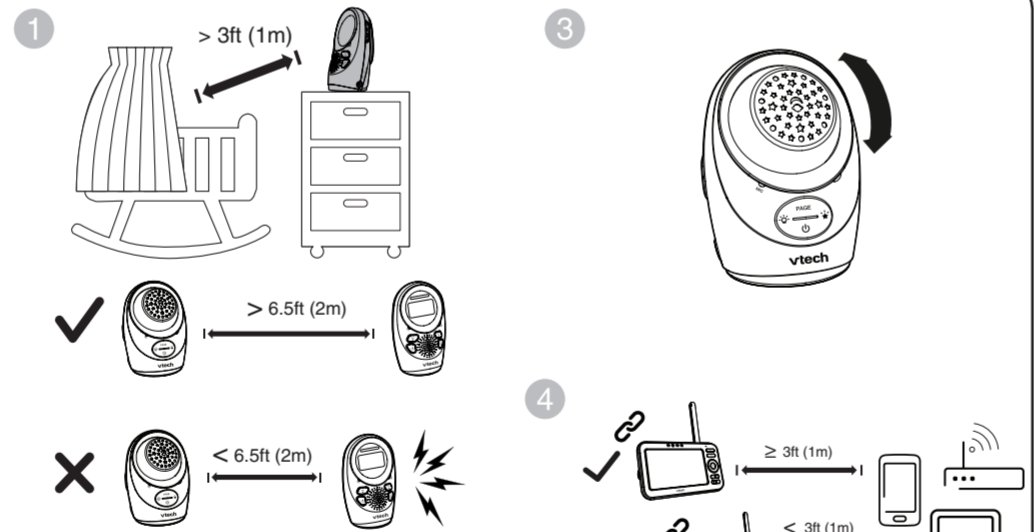
- Press **⏻** to power on the baby unit. The power light turns on.
Press and hold **⏻** to power off the baby unit. The power light turns off.



- Press and hold **⏻** to power on or off the parent unit.



3 POSITIONING THE BABY MONITOR

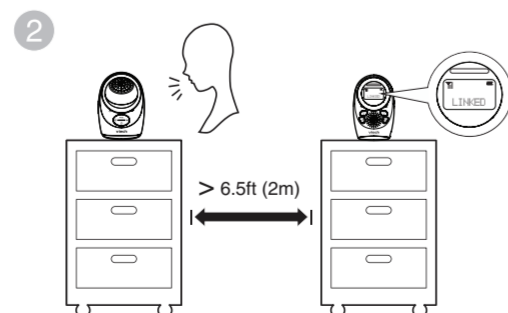


CAUTION

- The default volume of your parent unit is level 3. If you experience high-pitched screeching noise from your baby monitor while positioning:
 - Make sure your baby unit and parent unit are more than 6.5 feet (2 meters) apart, OR
 - Turn down the volume of your parent unit.

NOTE

- To avoid interference from other electronic devices, place your baby monitor at least 3 feet (1 meter) away from devices such as wireless routers, microwaves, cell phones and computers.



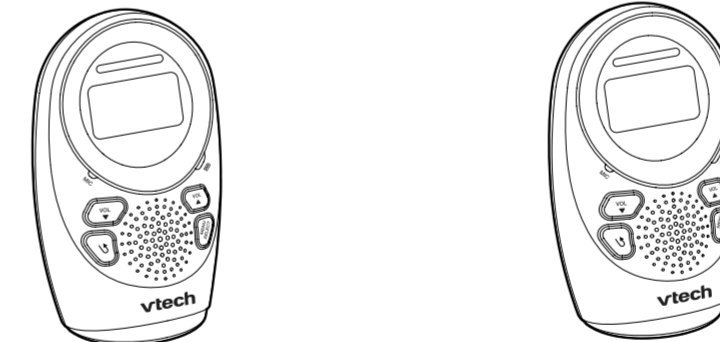
CAUTION

- For hearing protection, make sure the parent unit is more than 6.5 feet (2 meters) away from the baby unit. If you hear any high-pitched noise, move the parent unit further until the noise stops. You can also press **⏻** on the parent unit to lower or mute the noise.

BASIC OPERATION

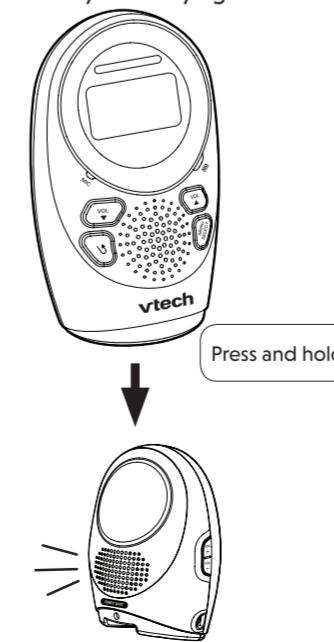
Adjust speaker volume

Press **VOL ▲** / **VOL ▼** to adjust your parent unit speaker volume.



Talk to your baby unit

Press and hold **TALK** and speak to your parent unit. Your voice is transmitted to the baby unit. Release **TALK** when finish talking and hear your baby again.

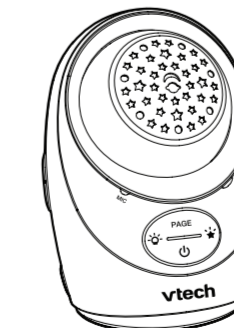


Turn on vibration alert

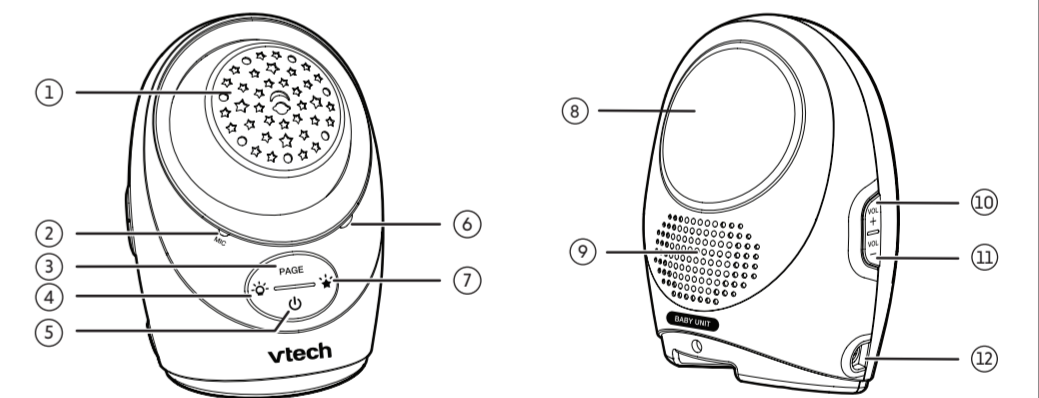
🔔 is shown on LCD display once this feature is on.

Turn on the nightlight

Press **🌙** to turn on the night light.



BABY UNIT OVERVIEW



- Projector ball**
- Microphone**
- PAGE**
 - Press to start or stop paging parent unit.
- 🌙**
 - Press to turn the night light on or off.
- ⏻(On/off)**
 - Press to power on, and the power light turns on.
 - Press and hold to power off, and the power light turns off.
- Power light**
 - On when the baby unit is turned on.
- Projection on/off**
 - Press to turn the projection on or off.
- Night light**
 - On when night light is turned on manually.
 - Off when night light is turned off manually.
- Speaker**
- VOL ▲**
 - Press to increase the speaker volume.
- VOL ▼**
 - Press to decrease the speaker volume.
- Power jack**

GET HELP WITH THE ONLINE TOPICS

For operations and guides to help you using your video monitor, and for latest information and supports, go and check the online help topics and online FAQs. Use your smartphone or mobile device to access our online help.

- Go to <https://help.vtechphones.com/dm1212>; OR

- Scan the QR code on the right. Launch the camera app or QR code scanner app on your smartphone or tablet. Hold the device's camera up to the QR code and frame it. Tap the notification to trigger the redirection of the online help.
- If the QR code is not clearly displayed, adjust your camera's focus by moving your device closer or further away until it is clear.



