

[VTECH]

[2.4GHz Dipole Antenna]

Model: VM901 BU

Antenna description:

This dipole antenna is optimized and used in the Baby unit in the baby monitor models. This antenna is directly soldered to the RF output in the main PCB.

Ordering information:

Model Number	Description
VM901 BU	2.4GHz Dipole Antenna

Specification:

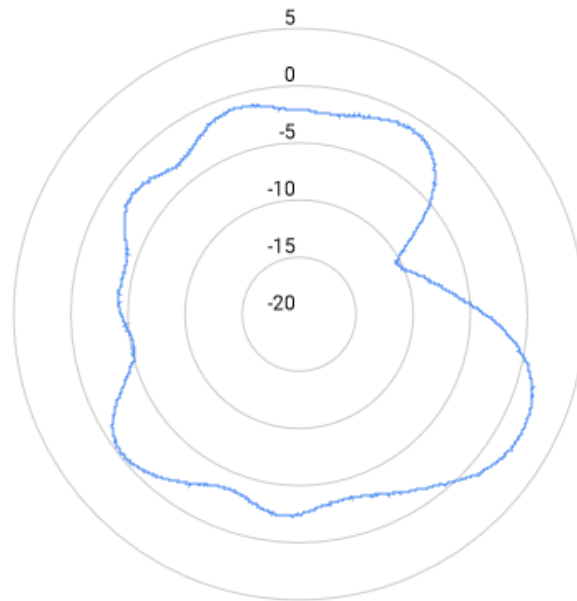
Frequency Range	2400-2500 MHz
Maximum Gain	2 dBi
Type	Dipole
Bandwidth	100MHz
VSWR	≤2.5: 1, Maximum
Nominal Impedance	~50 ohms
Connectors	-
Dimensions	91.1x Ø10.1mm

[VTECH]

[2.4GHz Dipole Antenna]

Antenna pattern (2436MHz)

XY plane (gain theta)



Coordination:



[VTECH]

[2.4GHz Dipole Antenna]

Physical Dimension:

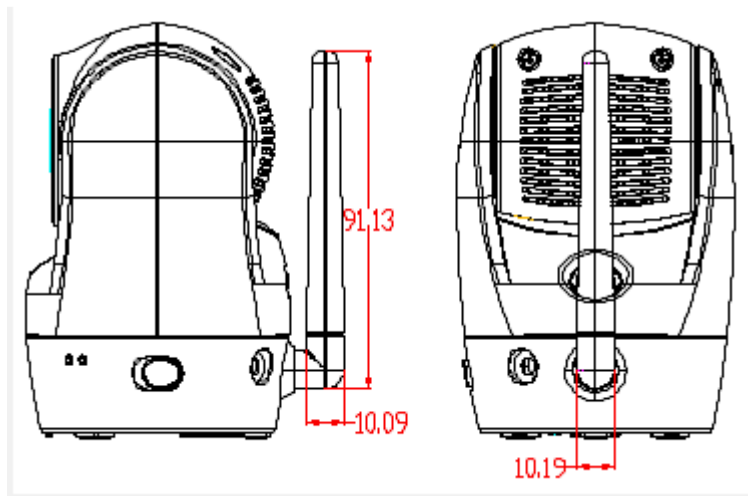


Figure 1 Physical dimension (mm)