

Go to www.vtechphones.com to register your product for enhanced warranty support and latest VTech product news.

RM5754HD
RM5754-2HD

5-inch Smart Wi-Fi 1080p Video Monitor



vtech

Quick start guide

For more support information



Congratulations

on purchasing your new VTech product.
Before using this HD video monitor, please read **Important safety instructions**.
For support, shopping, and everything new at VTech, visit our website at www.vtechphones.com. In Canada, visit www.vtechcanada.com.

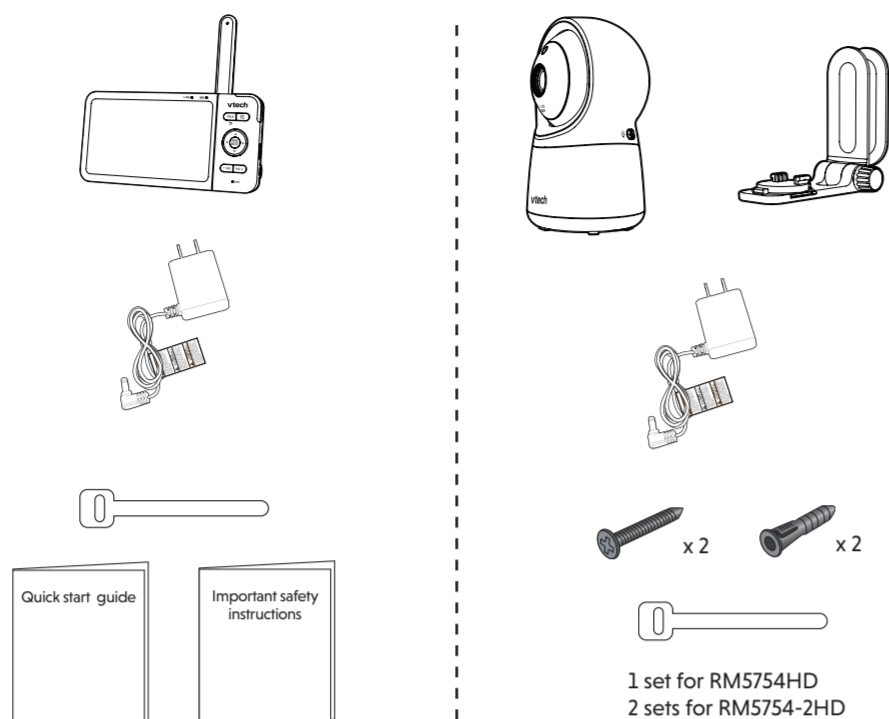
What does HD Video Monitor do?

VTech 5-inch Smart Wi-Fi 1080p Video Monitor allows you to stay close to your baby when you are on the move or away.
This monitor is Wi-Fi enabled, which uses your home wireless network to stream live video and audio through the HD baby unit and 5-inch color screen parent unit. It allows you to maintain a constant connection to your baby.

You can also monitor from your smartphone and mobile tablet.
VTech 5-inch Smart Wi-Fi 1080p Video Monitor uses **MyVTech Baby Pro** app to let you instantly see and hear what's happening with your baby from anywhere in the world.
The app can be downloaded from the App Store or the Google Play™ Store, directly from your smartphone or mobile tablet.

WHAT'S IN THE BOX

Your HD video monitor package contains the following items. Save your sales receipt and original packaging in the event warranty service is necessary.



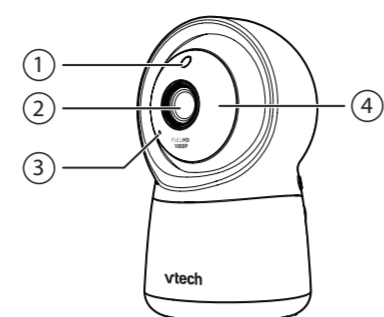
Requirements

For mobile access:

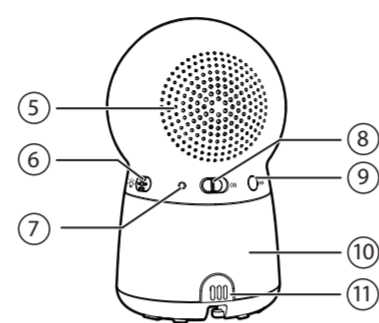
MyVTech Baby Pro mobile app	
Network	Wi-Fi
Wi-Fi router	2.4GHz 802.11 b/g/n
Internet connection	1.5 Mbps @ 720p or 2.5 Mbps @1080p upload bandwidth per baby unit

OVERVIEW

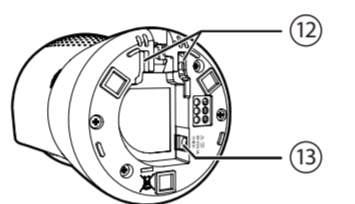
Baby unit overview



- Light sensor**
- Camera lens**
- Microphone**
- Infrared LEDs**
 - Allow you to see clearly in a dark surrounding.
- Speaker**
- Night light**
 - Press to turn the night light on or off.
- LED indicator**
 - Orange is steady on when the baby unit is connecting to the parent unit in direct mode.
 - Green is steady on when the baby unit and parent unit are connecting to your home Wi-Fi network via the Wi-Fi router.
 - Flashes orange slowly during video streaming in direct mode.
 - Flashes green slowly during video streaming via home Wi-Fi network.

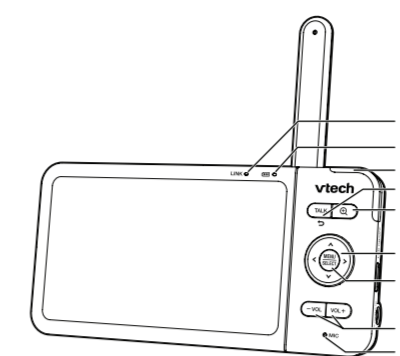


- ON**
 - Power on/off switch.
- PAIR**
 - Press and hold for three seconds to enter pairing mode.
 - Reset the baby unit to factory default.
 - Press and hold **PAIR** key until you hear a beep sound.
 - Release the **PAIR** key, and then press the **PAIR** key again five times until you hear another beep sound.
 - The baby unit will sound another beep when the reset completes. Then, the baby unit will reboot.
- Night light**
- Temperature sensor**
- Slots for wall mounting**
 - Wall mount bracket is included in your package.
- Power jack**



- 12**
- 13**

Parent unit overview



- LINK LED light**
 - On when the parent unit is linked to the baby unit.
 - Flashes when the link to the baby unit is lost.
- LED light**
 - On when the parent unit is connected to AC power, and the battery is charging.
 - Flashes when the parent unit battery is low and needs charging.
- 3-level sound indicator light**
 - Green on when low sound level is detected by the baby unit.
 - Green and amber on when moderate sound level is detected by the baby unit.
 - Green, amber and red on when high sound level is detected by the baby unit.
- TALK /**
 - Press and hold to talk to the baby unit.
 - While in a submenu, press to exit.
- Zoom**
 - Press to zoom in/out.
 - While in a submenu, press to view the help menu.

Arrow keys

- Press to navigate leftward, upward, rightward or downward, within the main menu and submenus.
- While viewing zoomed image, press to move the zoomed image leftward, upward, rightward or downward.

MENU/SELECT

- Press to enter the main menu.
- While in a menu, press to choose an item, or save a setting.

-VOL / VOL +

- Increase or decrease parent unit's volume.

Microphone

Speaker

POWER / LCD ON/OFF

Power jack

RESET

- Force reboot the parent unit.

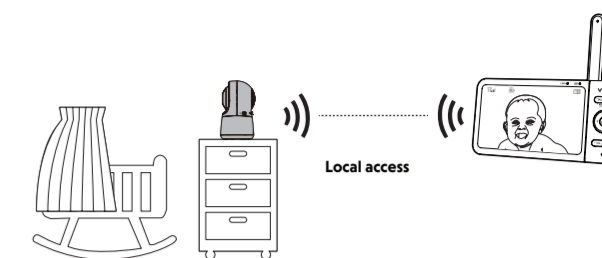
Antenna

Stand

HOW THE SYSTEM WORKS

Direct mode

The parent unit and the baby unit of your video monitor connect to each others in **Direct mode** by default, which allows you to stream live video right out of the box. **Direct mode** connection lets you stream live video from parent unit only.



TIP

- You may experience reduced signal strength if your parent unit and baby unit are far apart, or there are obstructing factors, such as internal walls, between them. Move the parent unit closer to the baby unit to improve the signal strength. You can also set up **Router mode** to connect via your home Wi-Fi network to improve the connection between your parent unit and baby unit.

Router mode

You can continue using your video monitor with **Direct mode** connection, or you can set up your monitor in **Router mode** connection.

Router mode uses your home Wi-Fi network to connect your video monitor. It supports streaming live video through parent unit and smartphone app.

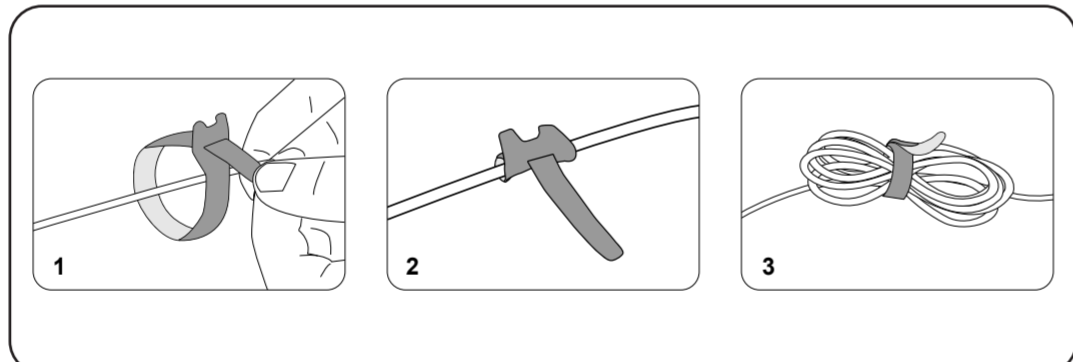
We recommend that you set up your monitor in **Router mode** to enjoy streaming live video via your parent unit with better connection.

If you want to stream live video remotely with your mobile device, download and install the **MyVTech Baby Pro** mobile app. With the mobile app, your Wi-Fi router (not included) provides Internet connectivity to your HD video monitor system. It serves as a communicating channel between your baby unit and mobile device, allowing you to monitor and/or control your baby unit wherever you are. For detail, see **Download app for mobile access** section in this quick start guide.

NOTES

- Your parent unit detects the connection signal strength. If you have connected your video monitor with your home Wi-Fi network, your parent unit automatically switches to direct or router mode - the one that has stronger signal strength.
- When both parent unit and app are viewing the camera simultaneously, the video quality will be optimised to deliver the best possible viewing result.

CABLE MANAGEMENT



PROTECT YOUR PRIVACY AND ONLINE SECURITY

VTech cares about your privacy and peace of mind. That's why we've put together a list of industry-recommended best practices to help keep your wireless connection private and your devices protected when online. We recommend you carefully review and consider complying with the following tips.

- Ensure your wireless connection is secure.
- Before installing a device, ensure your router's wireless signal is encrypted by selecting the "WPA2-PSK with AES" setting in your router's wireless security menu.
 - Change default settings.
 - Change your wireless router's default wireless network name (SSID) to something unique.
 - Change default passwords to unique, strong passwords. A strong password:
 - Is at least 10 characters long.
 - Is complex.
 - Does not contain dictionary words or personal information.
 - Contains a mix of uppercase letters, lowercase letters, special characters and numbers.
- Keep your devices up to date.
- Download security patches from manufacturers as soon as they become available. This will ensure you always have the latest security updates.
 - If the feature is available, enable automatic updates for future releases.
- Disable Universal Plug and Play (UPnP) on your router.
- UPnP enabled on a router can limit the effectiveness of your firewall by allowing other network devices to open inbound ports without any intervention or approval from you. A virus or other malware program could use this function to compromise security for the entire network.

For more information on wireless connections and protecting your data, please review the following resources from industry experts:

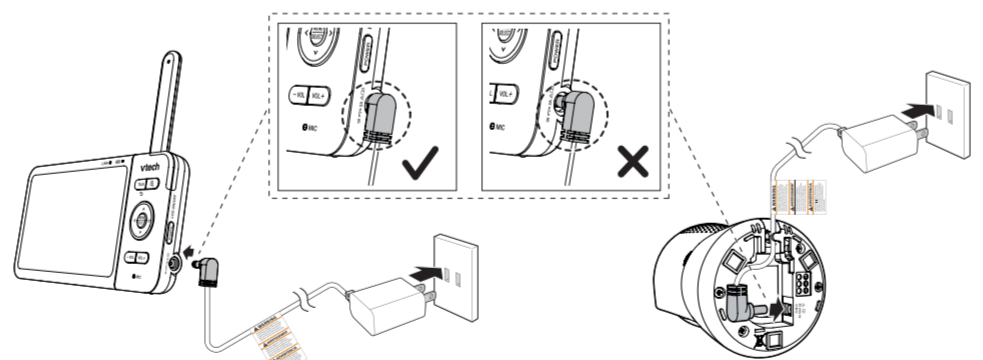
- Federal Communications Commission: Wireless Connections and Bluetooth Security Tips - www.fcc.gov/consumers/guides/how-protect-yourself-online
- U.S. Department of Homeland Security: Before You Connect a New Computer to the Internet - www.us-cert.gov/ncas/tips/STI-5-003
- Federal Trade Commission: Using IP Cameras Safely - <https://www.consumer.ftc.gov/articles/0382-using-ip-cameras-safely>
- Wi-Fi Alliance: Discover Wi-Fi Security - <http://www.wi-fi.org/discover-wi-fi/security>

CONNECT, CHARGE AND POWER ON THE BABY MONITOR

Connect the baby monitor

NOTES

- The rechargeable battery in the parent unit is built-in.
- Use only the power adapters supplied with this product.
- Make sure the parent unit and the baby unit are not connected to the switch controlled electric outlets.
- Connect the power adapters in a vertical or floor mount position only. The adapters' prongs are not designed to hold the weight of the parent unit and the baby unit, so do not connect them to any ceiling, under-the-table, or cabinet outlets. Otherwise, the adapters may not properly connect to the outlets.
- Make sure the parent unit, the baby unit and the power adapter cords are out of reach of children.



Slide the **ON** switch to power on or off your baby unit.

NOTES

- When powering up, the baby unit's status LED turns on. It will turn off after a while and stay off.
- The status LED setting is off by default. If you want to keep the LED on, press **MENU**, then go to **STATUS LED** and turn it on.



NOTE: Camera lens and surface may get warm during normal operation.

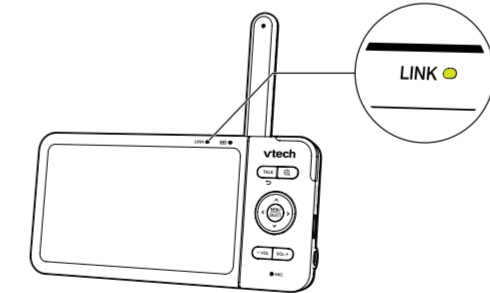
Charge the parent unit battery before use

The parent unit runs on rechargeable battery or AC power. To continuously monitor your baby, keep the parent unit connected to AC power. With the battery alone, the parent unit can cordlessly run for a short time only.

NOTES

- Before using the baby monitor for the first time, charge the parent unit battery for 12 hours. When the parent unit battery is fully charged, the battery icon becomes solid.
- The standby time varies depending on your actual use.

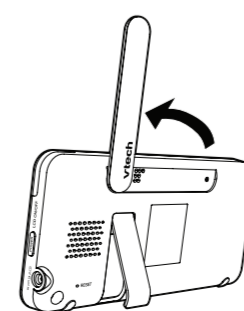
After the parent unit is fully charged, press **POWER** until the welcoming screen appears.



The battery icon indicates the battery status (see the following table).

BATTERY INDICATORS	BATTERY STATUS	ACTION
The screen displays and . The LINK light flashes.	The battery has very little charge and may be used for only a short time.	Charge without interruption (about 30 minutes).
The battery icon becomes solid .	The battery is fully charged.	To keep the battery charged, connect it to AC power when not in use.

Raise the parent unit antenna for better reception



Specifications are subject to change without notice.
© 2022 VTech Communications, Inc.
All rights reserved. 05/22, RM5754-XHD, 050G_V14



IOS is a trademark or registered trademark of Cisco in the U.S. and other countries and is used under license.
Android™ and Google Play™ are trademarks of Google Inc.
Apple App Store is a trademark of Apple Inc., registered in the U.S. and other countries.



VTech Communications, Inc. and its suppliers assume no responsibility for any damage or loss resulting from the use of this user's manual. VTech Communications, Inc. and its suppliers assume no responsibility for any loss or claims by third parties that may arise through the use of this product.
Company: VTech Communications, Inc. 515 555 Tigard, OR 97223, United States
Address: 9020 SW Washington Square Road - 515 555 Tigard, OR 97223, United States
Phone: 1 (800) 959-9511 in the U.S. or 1 (800) 267-7377 in Canada

DISCLAIMER AND LIMITATION OF LIABILITY

Power requirement	Nominal effective range	Channels	LCD
Parent unit: 3.7V 5000mAh, 18.5Wh Lithium-ion battery Baby unit power adapter: Output: 5V DC @ 1A	Very according to environmental conditions at the time of use. Maximum power allowed by FCC and IC. Actual operating range may vary according to environment.	11	5" Color LCD (IPS 1280x720 pixels)
Baby unit: 2412 - 2462 MHz			

TECHNICAL SPECIFICATIONS