

[VTECH]

[2.4GHz Dipole Antenna]

Model: RM5764_V2 BU (WIFI)

Antenna description:

This antenna is optimized and used in the Baby Unit in the baby monitor models. This antenna is directly soldered to the RF output in the main PCB.

Ordering information:

Model	Description
RM5764_V2 BU	2.4GHz Dipole Antenna

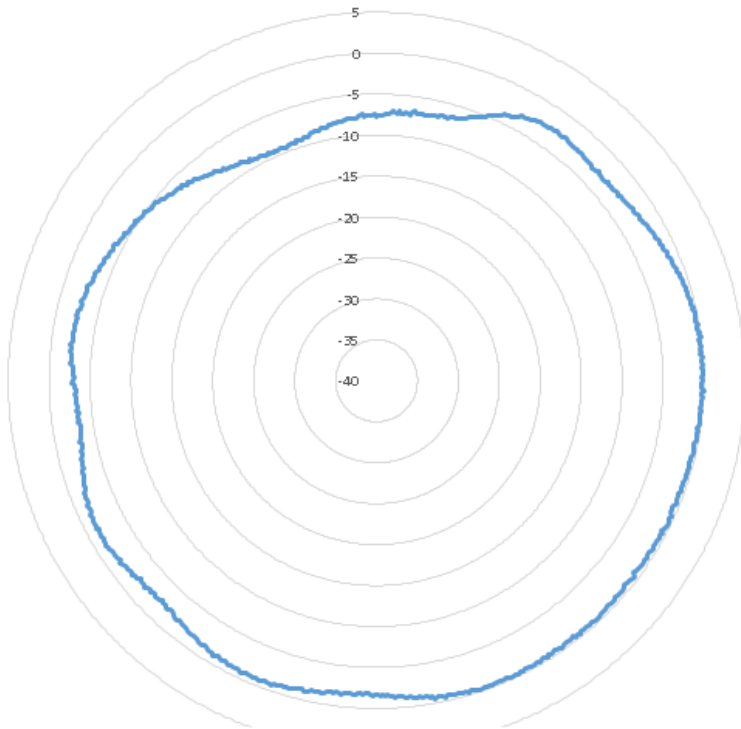
Specification:

Operation Frequency Range	2412-2472 MHz
Maximum Gain	0 dBi
Type	Dipole antenna
Operation bandwidth	60MHz
Nominal Impedance	~50 ohms
Connectors	-
Dimensions	Shown in figure 1
Manufacturer	Vtech Telecommunications Ltd
Manufacturer address	23/F, Tai Ping Industrial Centre, Blk1, 57 Ting Kok Road, Tai Po, Hong Kong
Model number	ANT-RM5764V2-F-WI-1

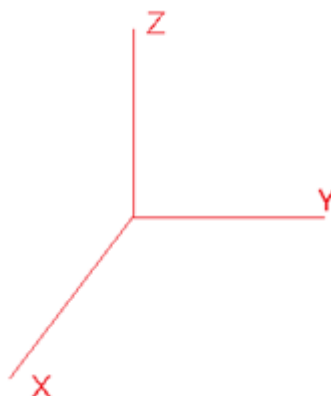
[VTECH]
[2.4GHz Dipole Antenna]

Antenna pattern (2437MHz) (the frequency with maximum gain)

XY plane (gain theta)



Coordination:



**[VTECH]
[2.4GHz Dipole Antenna]**

Physical Dimension:

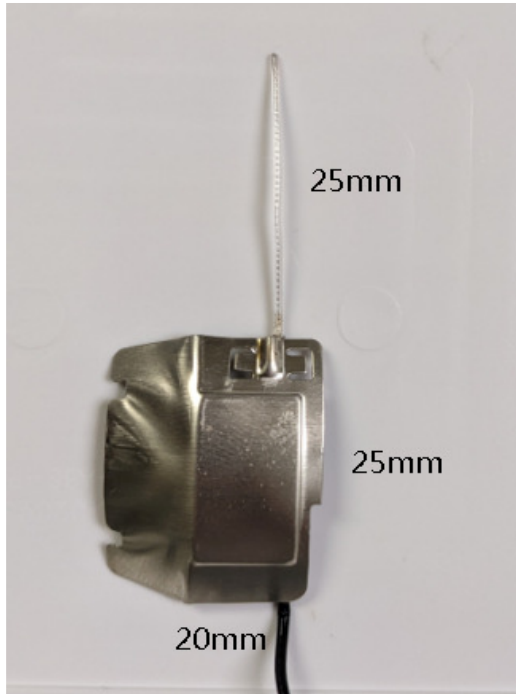


Figure 1 Physical dimension (mm)

[VTECH]

[2.4GHz Monopole Antenna]

Model: RM5764_V2 BU (BLE)

Antenna description:

This antenna is optimized and used in the Baby Unit in the baby monitor models. This antenna is directly soldered to the RF output in the main PCB.

Ordering information:

Model	Description
RM5764_V2 BU	2.4GHz Helical Antenna

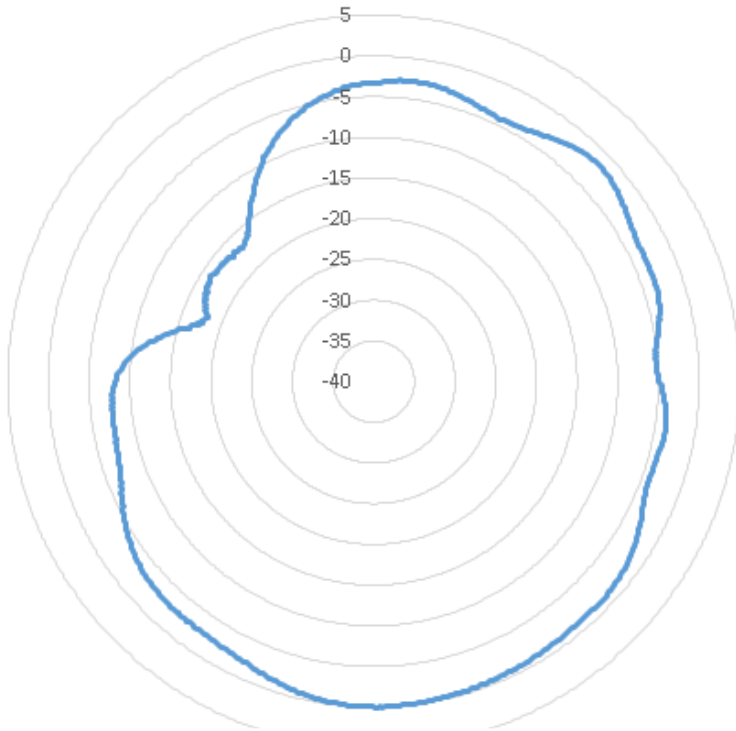
Specification:

Operation Frequency Range	2400-2480 MHz
Maximum Gain	0 dBi
Type	Helical antenna
Operation bandwidth	80MHz
Nominal Impedance	~50 ohms
Connectors	-
Dimensions	Shown in figure 1
Manufacturer	Vtech Telecommunications Ltd
Manufacturer address	23/F, Tai Ping Industrial Centre, Blk1, 57 Ting Kok Road, Tai Po, Hong Kong
Model number	ANT-RM5764V2-F-BT-1

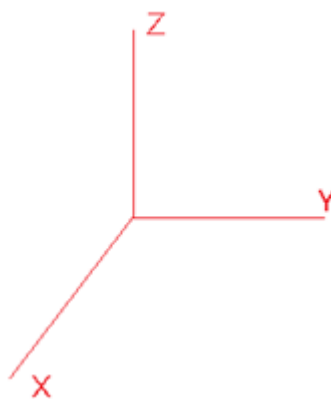
[VTECH]
[2.4GHz Monopole Antenna]

Antenna pattern (2440MHz) (the frequency with maximum gain)

XY plane (gain theta)



Coordination:



[VTECH]

[2.4GHz Monopole Antenna]

Physical Dimension:

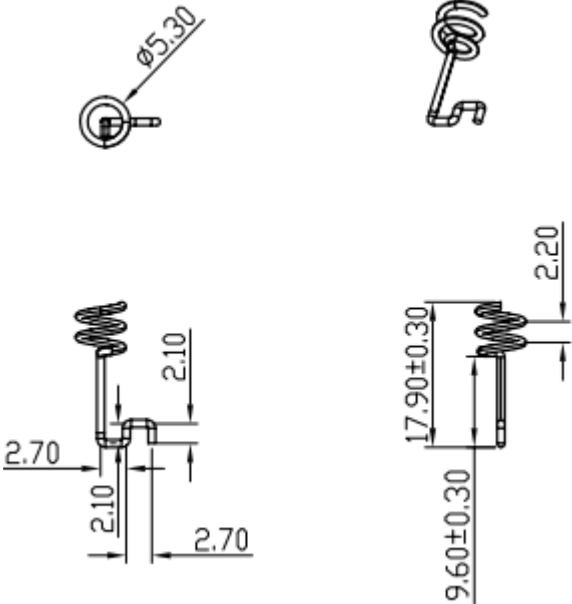


Figure 1 Physical dimension (mm)

[VTECH]

[2.4GHz Dipole Antenna]

Model: RM5764_V2 BU (FHSS)

Antenna description:

This antenna is optimized and used in the Baby Unit in the baby monitor models. This antenna is directly soldered to the RF output in the main PCB.

Ordering information:

Model	Description
RM5764_V2 BU	2.4GHz Dipole Antenna

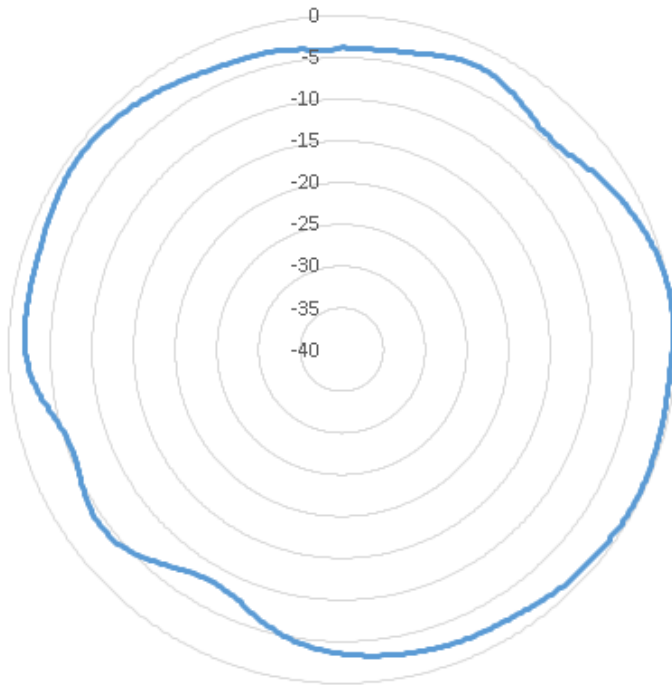
Specification:

Operation Frequency Range	2405-2475 MHz
Maximum Gain	0 dBi
Type	dipole antenna (FPC)
Operation bandwidth	70MHz
Nominal Impedance	~50 ohms
Connectors	-
Dimensions	14mm x 30mm
Manufacturer	Vtech Telecommunications Ltd
Manufacturer address	23/F, Tai Ping Industrial Centre, Blk1, 57 Ting Kok Road, Tai Po, Hong Kong
Model number	ANT-RM5764V2-F-FH-1

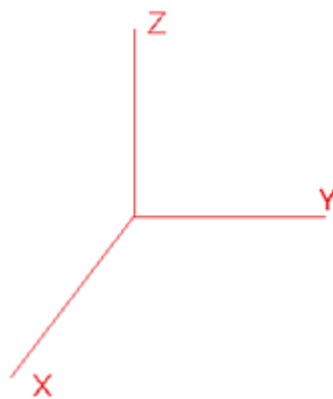
[VTECH]
[2.4GHz Dipole Antenna]

Antenna pattern (2442MHz) (the frequency with maximum gain)

XY plane (gain theta)



Coordination:



[VTECH]

[2.4GHz Dipole Antenna]

Physical Dimension:

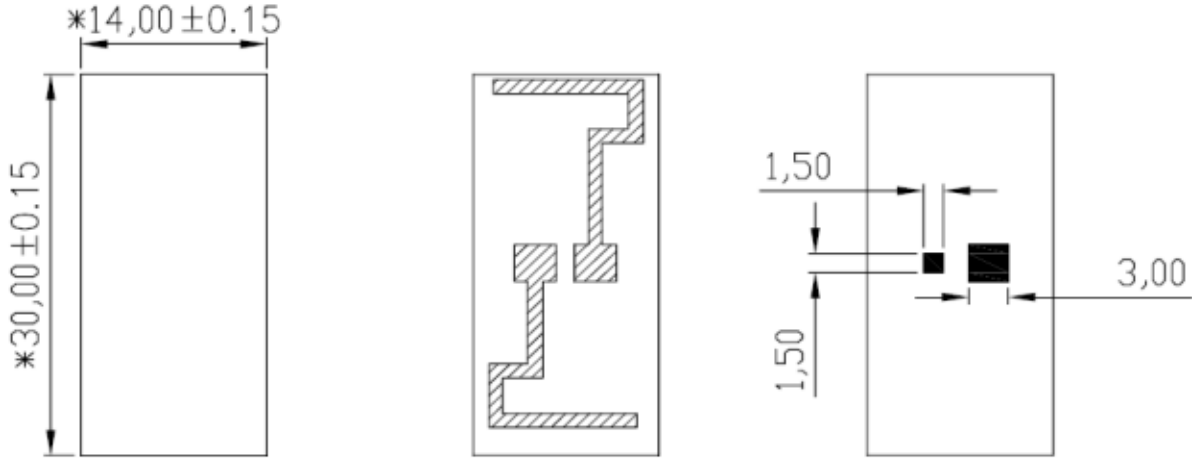


Figure 1 Physical dimension (mm)