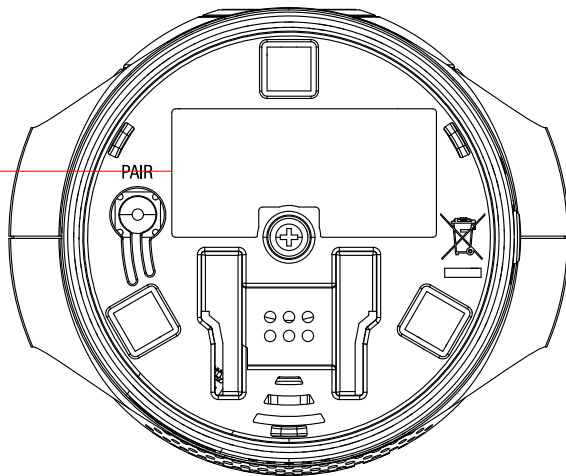
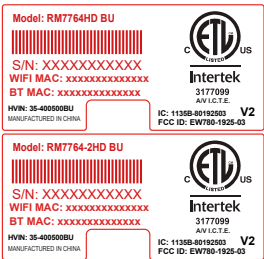
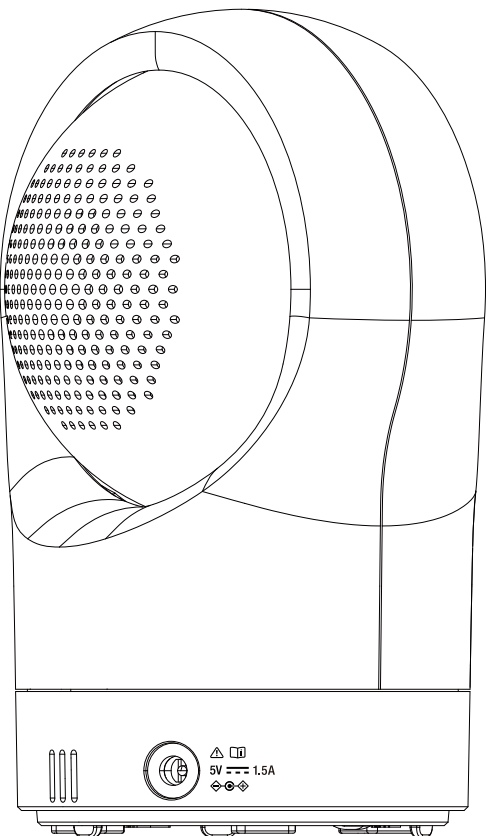


RM7764-XHD LABEL

Label
34.6x16.6mm

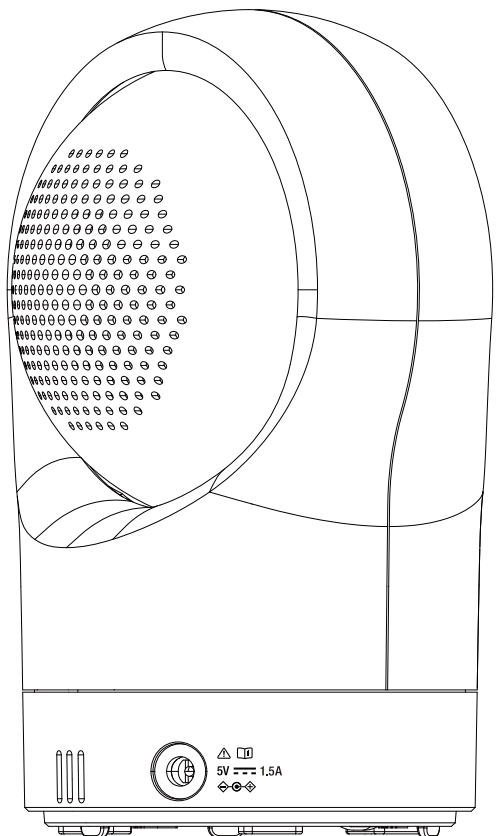
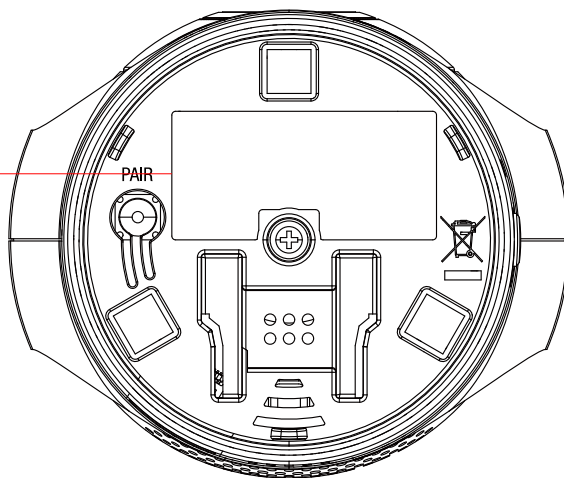
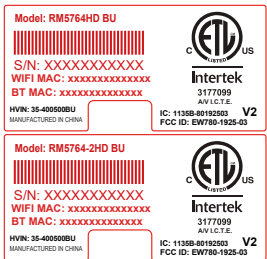


compliance statement was listed in manual due to surface and interface limitation reason



RM5764-XHD UNIT LABEL

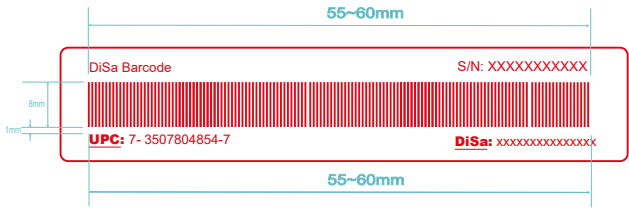
Label
34.6x16.6mm



compliance statement was listed in manual due to surface and interface limitation reason

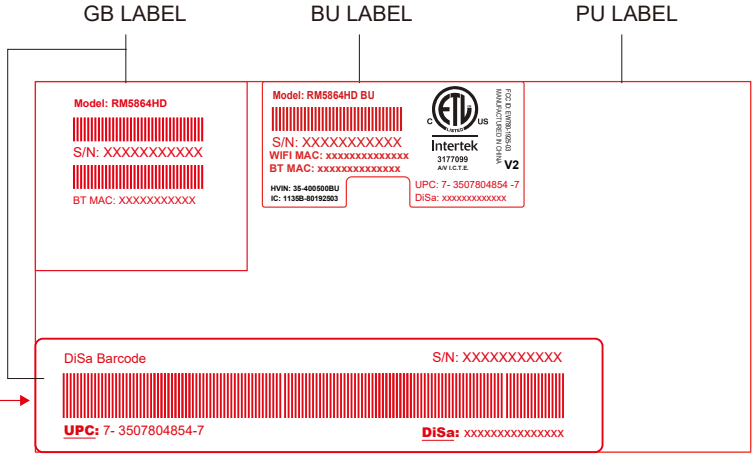
RM5864 UNIT LABEL

Part No.: 92-XXXXXX-010-100
 Size: 94.6X49mm
 Material: 50# PET



Disa Barcode notes:

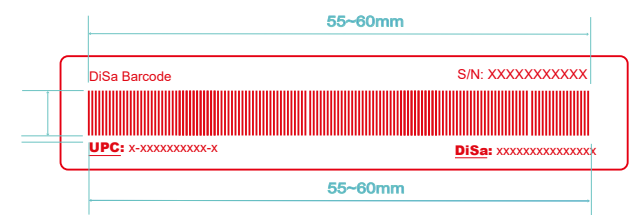
1. 字体: Arial
2. 字符**UPC:** & **DiSa:** 需要加粗并加下划线 (数字不用加粗)
3. 条码尺寸: 55~60mm*8mm
4. 字符尺寸: 55~60mm*2mm
5. 字符与条码之前的间距为1mm
6. 公差+/- 0.5mm



S/N: 11 digits, the serial no. is made in VTT barcode system.
 DiSa: Download from system
 UPC/DiSa: Font size : Arial ,5 pt.

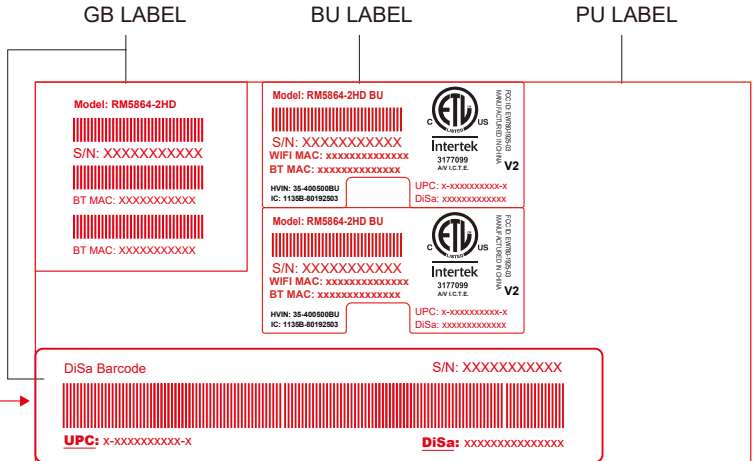
RM5864-2 UNIT LABEL

Part No.: 92-XXXXXX-010-100
 Size: 94.6X50.3mm
 Material: 50# PET



Disa Barcode notes:

1. 字体: Arial
2. 字符**UPC:** & **DiSa:** 需要加粗并加下划线 (数字不用加粗)
3. 条码尺寸: 55~60mm*8mm
4. 字符尺寸: 55~60mm*2mm
5. 字符与条码之前的间距为1mm
6. 公差+/- 0.5mm



S/N: 11 digits, the serial no. is made in VTT barcode system.
 DiSa: Download from system
 UPC/DiSa: Font size : Arial ,5 pt.