
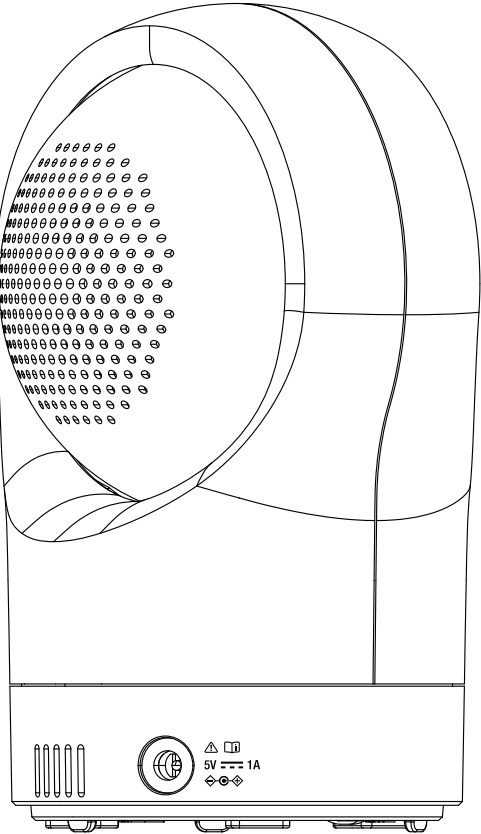
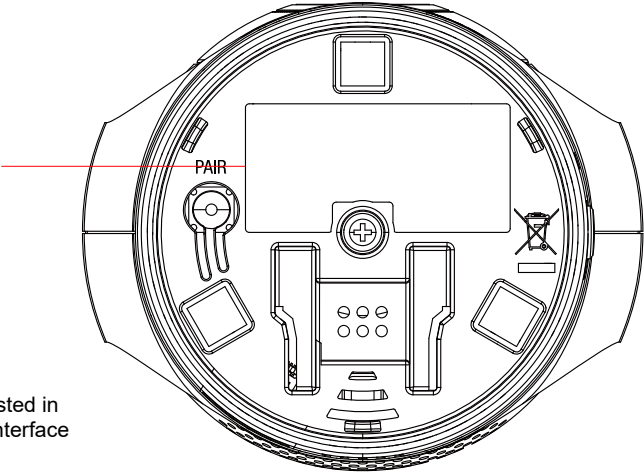



Label
34.6x16.6mm

Model: RM5764HD BU
S/N: XXXXXXXXXXXX
WIFI MAC: XXXXXXXXXXXXXXXXX
MANUFACTURED IN CHINA
HWN: 35-400348BUJ
IC: 1138B-89192300
FCC ID: EW780-1923-00



Model: RM5764-2HD BU
S/N: XXXXXXXXXXXX
WIFI MAC: XXXXXXXXXXXXXXXXX
MANUFACTURED IN CHINA
HWN: 35-400348BUJ
IC: 1138B-89192300
FCC ID: EW780-1923-00



compliance statement was listed in manual due to surface and interface limitation reason