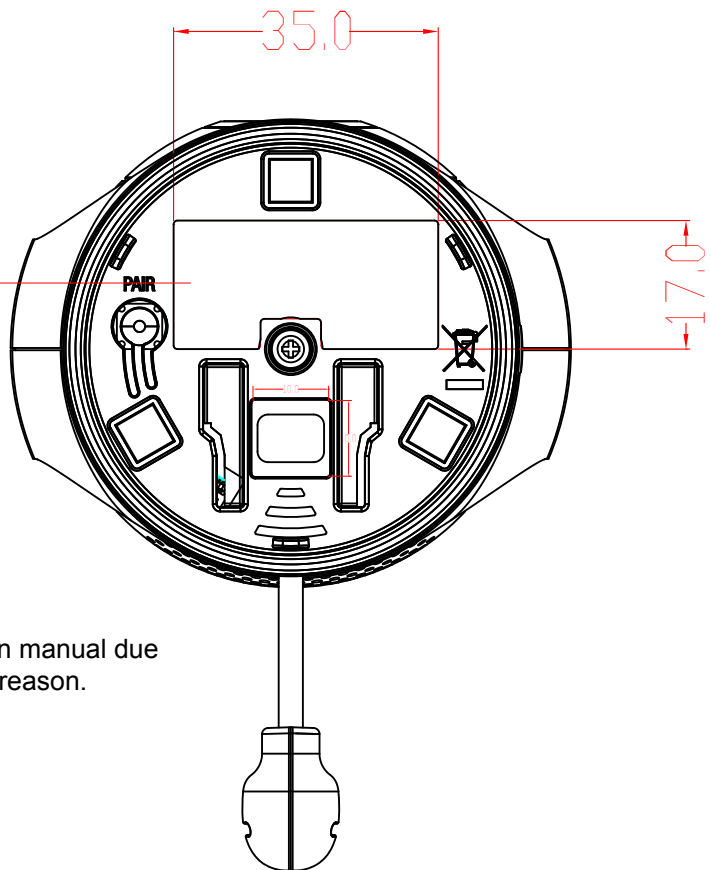
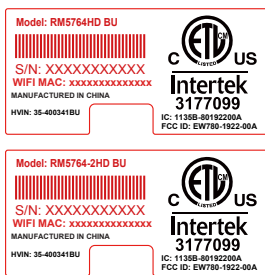


Label
34.6x16.6mm



compliance statement was listed in manual due to surface and interface limitation reason.