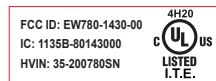
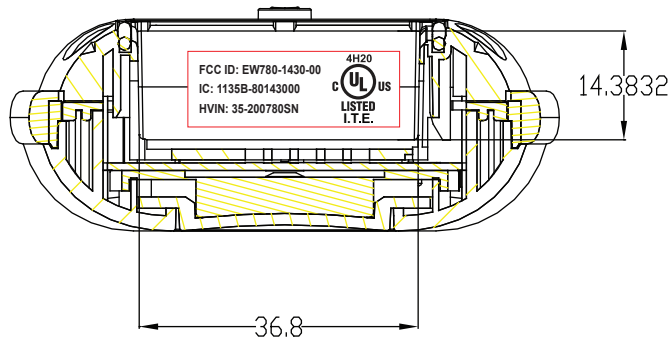
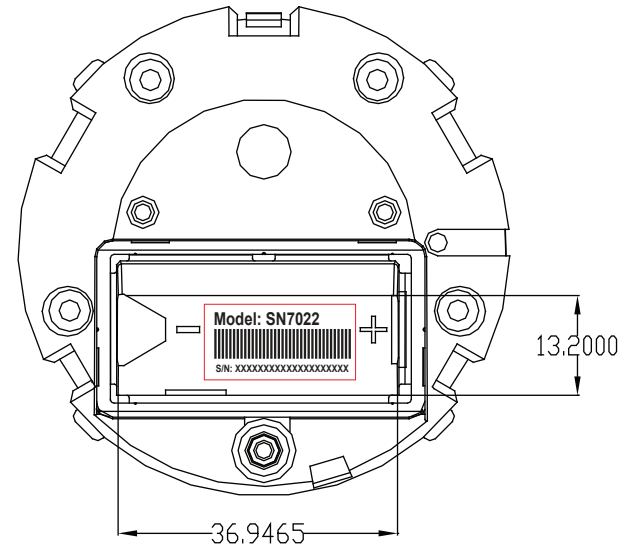


SN7022 Engraving file



SN label size: 28x 10mm



Label size: 20x 10mm