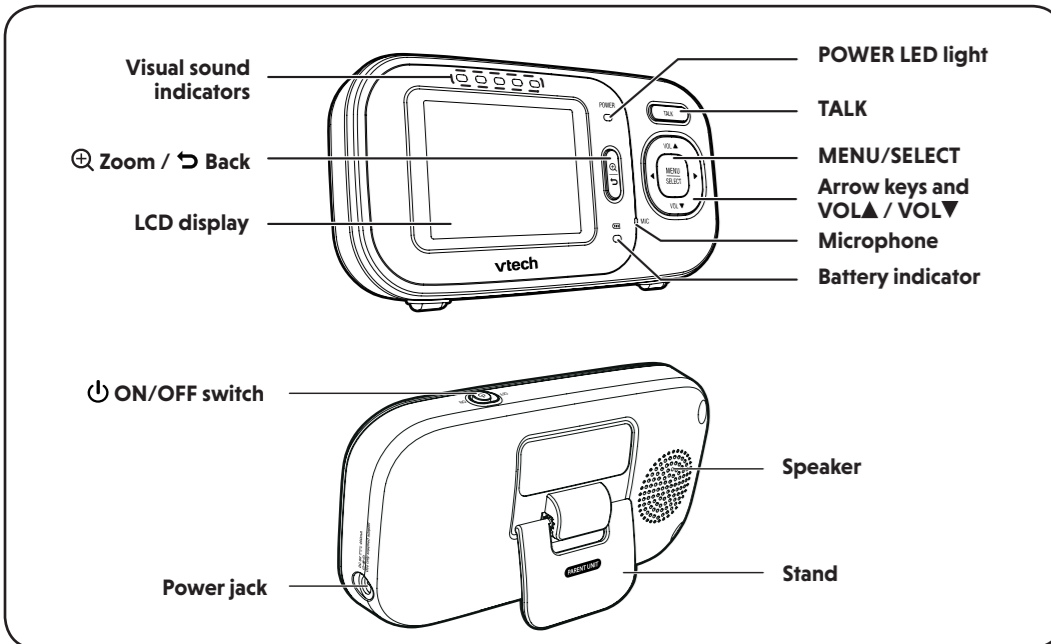
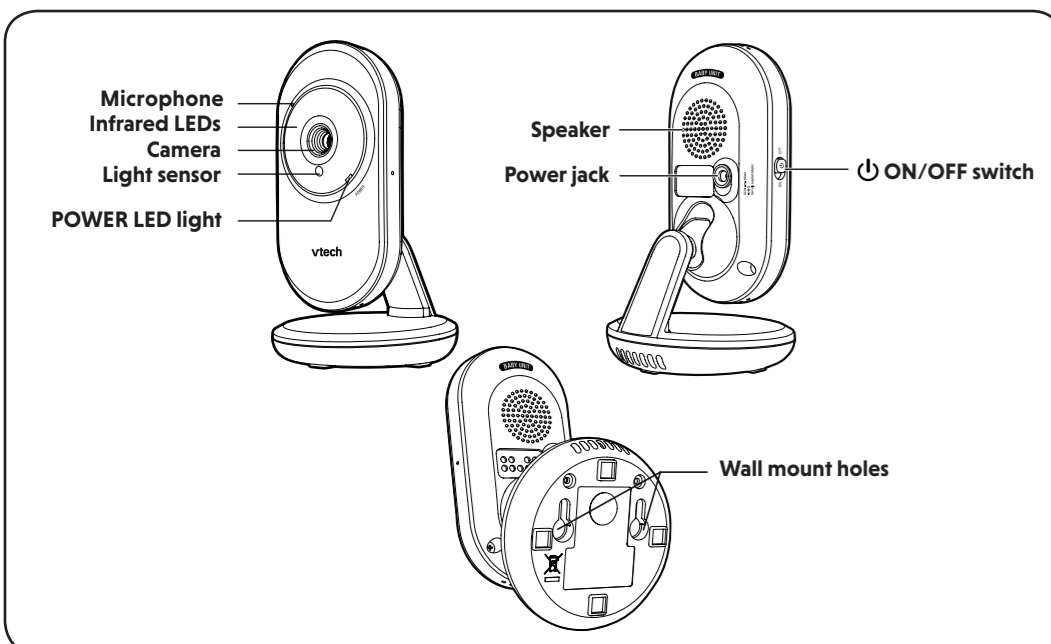


## OVERVIEW - PARENT UNIT



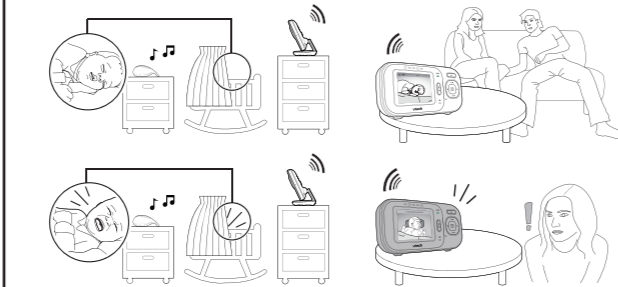
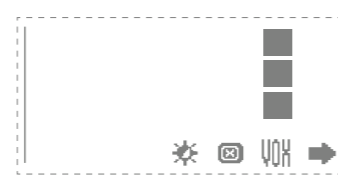
## OVERVIEW - BABY UNIT



## SOUND SENSITIVITY AND SOUND ACTIVATION

### Adjust sound detection sensitivity

With sound sensitivity setting, you can choose to hear sounds from the baby unit all the time, or to hear sounds that exceed a certain level.



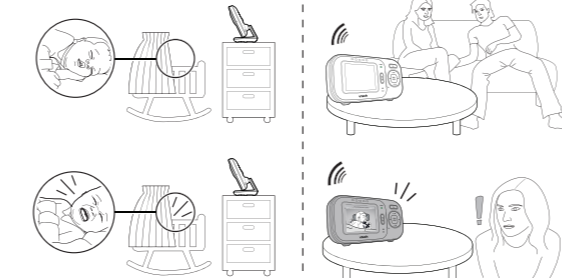
Parent unit setting	What happens...	You may experience...	What you could do...
Speaker volume: Low	Hear all sounds all the time, including background sounds.	Difficulty in hearing your baby's soft sounds if the background sounds are louder.	<ul style="list-style-type: none"> <li>Increase parent unit's speaker volume, and lower sound sensitivity.</li> <li>If you are using a white noise machine or sound machine, set its volume to low, or relocate it to minimize background sounds.</li> </ul>
Sensitivity: Highest [Default]			
Speaker volume: MAX	Only hear sounds that exceed the selected sound sensitivity level.	No sound; or sounds that cut in and out at times as the baby unit may not detect extra soft sounds.	Increase the sound sensitivity, and adjust the volume level if necessary.
Sensitivity: Low / Medium			

For details, please see **Adjust the sound sensitivity of the baby unit** in the User's manual.

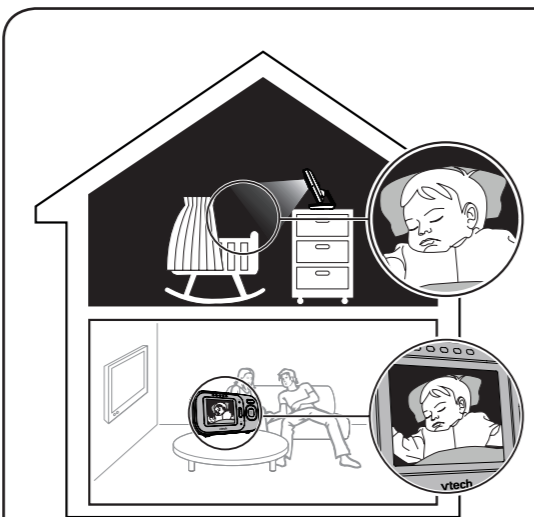
### Sound activated screen

When sound activation is on, the parent unit screen stays off to save power when the baby unit detects no sound.

Once the baby unit detects sounds that are louder than the chosen sound sensitivity level, the parent unit screen turns on automatically. It will then turn off again after 50 seconds of no sound detection.



## NIGHT VISION



The baby unit has infrared LEDs that allow you to see your baby clearly at night or in a dark room. When the baby unit being viewed detects low light levels, the infrared LEDs are switched on automatically. The images from the baby unit are in black and white, and appears on the screen.

### NOTES

- It is normal if you see a short white glare on your parent unit screen as the baby unit is adapting to the dark environment.
- When the infrared LEDs are on, the images are in black and white. This is normal.

### TIP

- Depending on the surroundings and other interfering factors, like lightings, objects, colors and backgrounds, the display resolution may vary. Adjust the baby unit's angle or place the baby unit at a higher level to prevent glare and blurry display.

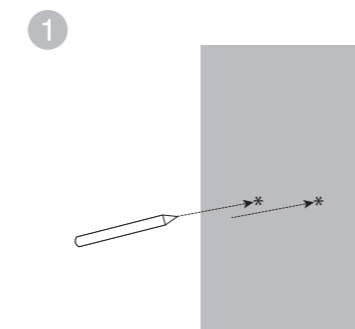
## MOUNT THE BABY UNIT ON DRY WALL (OPTIONAL)

### Items to purchase

- You will need to purchase the following items separately to mount your baby unit:
- 2 screws
  - 2 anchors

### NOTE

- The types of screws and anchors you need depend on the composition of the wall.



### NOTE

- Check for reception strength and camera angle before drilling the holes.
- Use a pencil to mark two holes in parallel. Make sure they are the same distance apart as the wall mount holes on the baby unit.

2

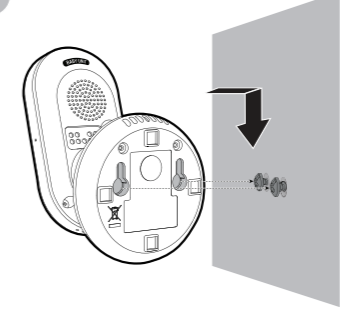


Drill two holes in the wall. If you drill the holes into a stud, go to step 3.

-OR-

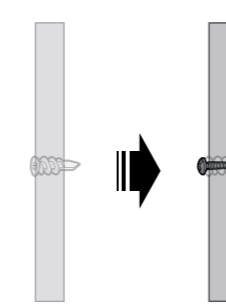
If you drill the holes into an object other than a stud, insert the wall anchors into the holes. Tap gently on the ends with a hammer until the wall anchors are flush with the wall.

4



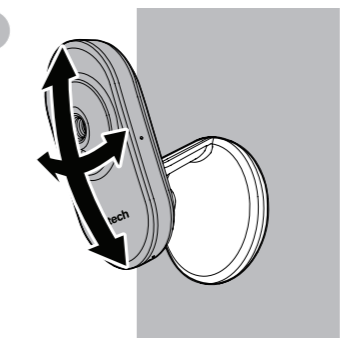
Align the wall mount holes on the baby unit with the screws on the wall. Slide the baby unit down until it locks into place.

3



Insert the screws into the holes and tighten the screws until only 1/4 inch of the screws are exposed.

5

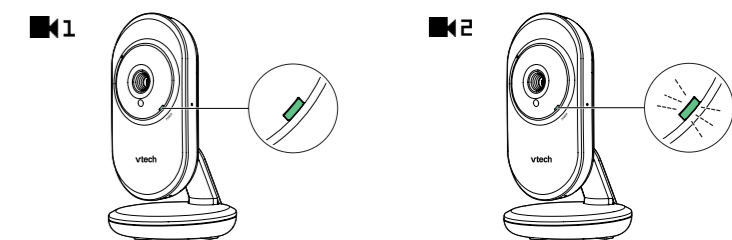


Adjust the camera angle.

## FOR VM320-2 ONLY

### Status check - Two baby units

If you are viewing baby unit **1**, the **POWER LED** light of baby unit **1** turns on. As baby unit **2** is not being viewed, its **POWER LED** light flashes.

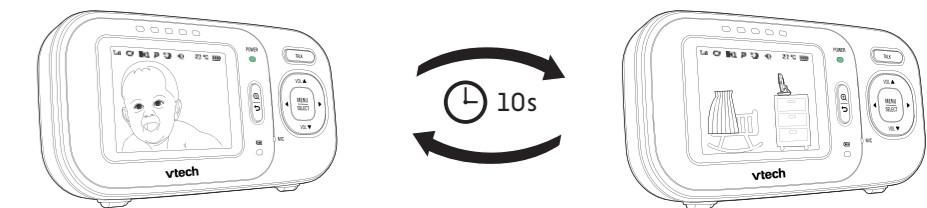


### NOTE

- If you power on only one baby unit, your parent unit may display **1** and the **POWER LED** light flashes. Press **MENU/SELECT** and then **◀** or **▶** to choose **1**. Press **MENU/SELECT** or **▲** to open the submenu. Press **▲** or **▼** to select the baby unit you have powered on.

### Change different views - Patrol

Press **MENU/SELECT** and then **◀** or **▶** to choose **1**. Press **MENU/SELECT** or **▲** to open the submenu. After that, press **▲** or **▼** to select **1** to enter **PATROL** mode to alternately view the image from one baby unit to the next one in every 10 seconds.



### Change different views - Single-cam

Press **MENU/SELECT** and then **◀** or **▶** to choose **1**. Press **▲** to open the submenu. After that, press **▲** or **▼** to select a camera number to enter **SINGLE-CAM** mode.

