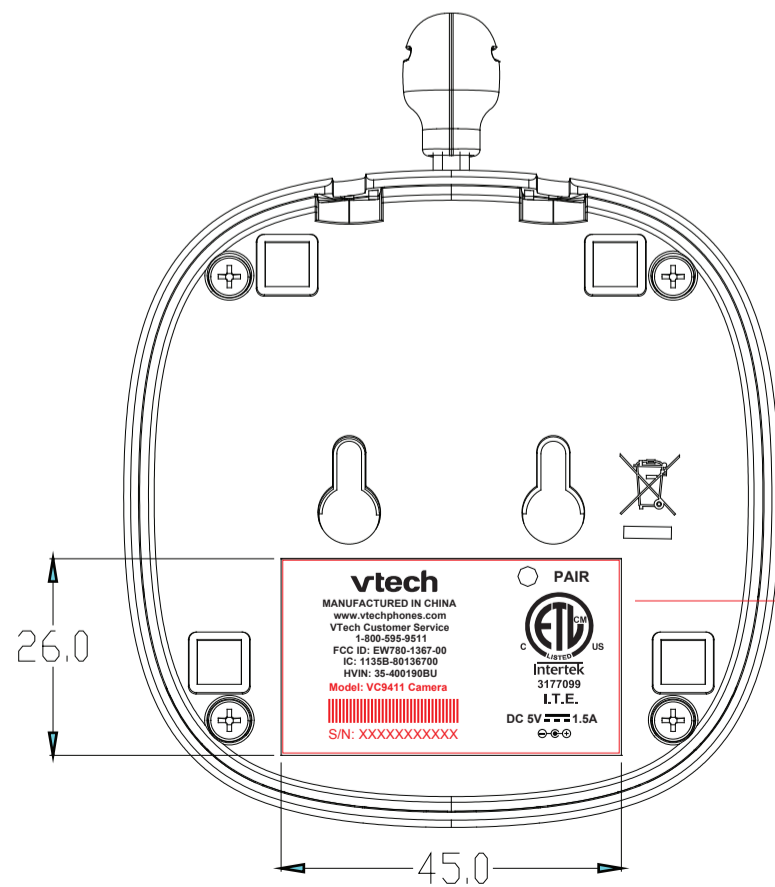
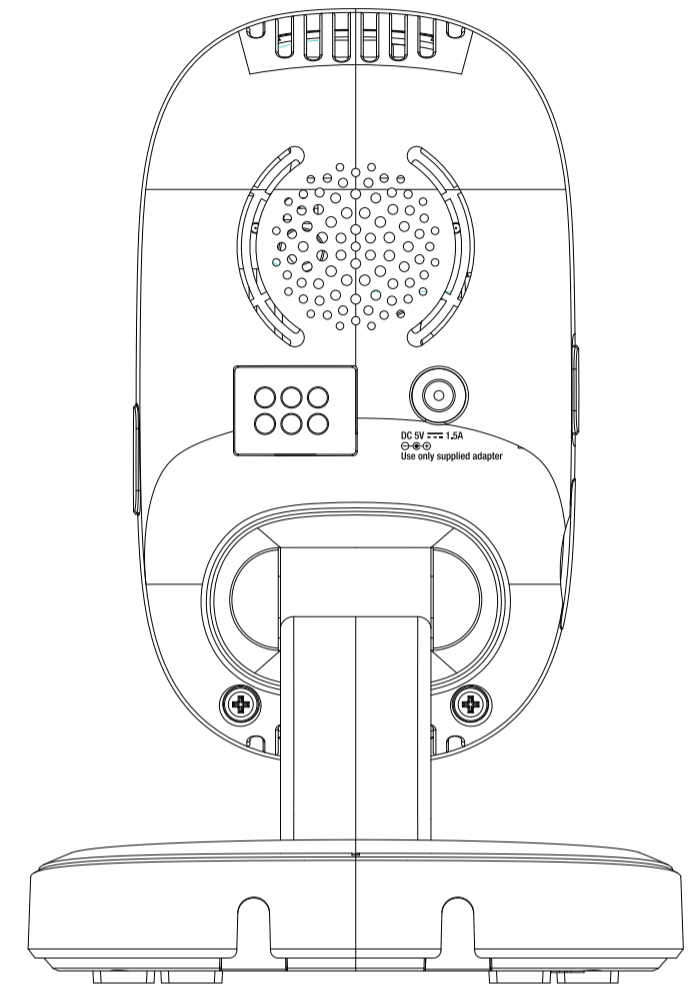
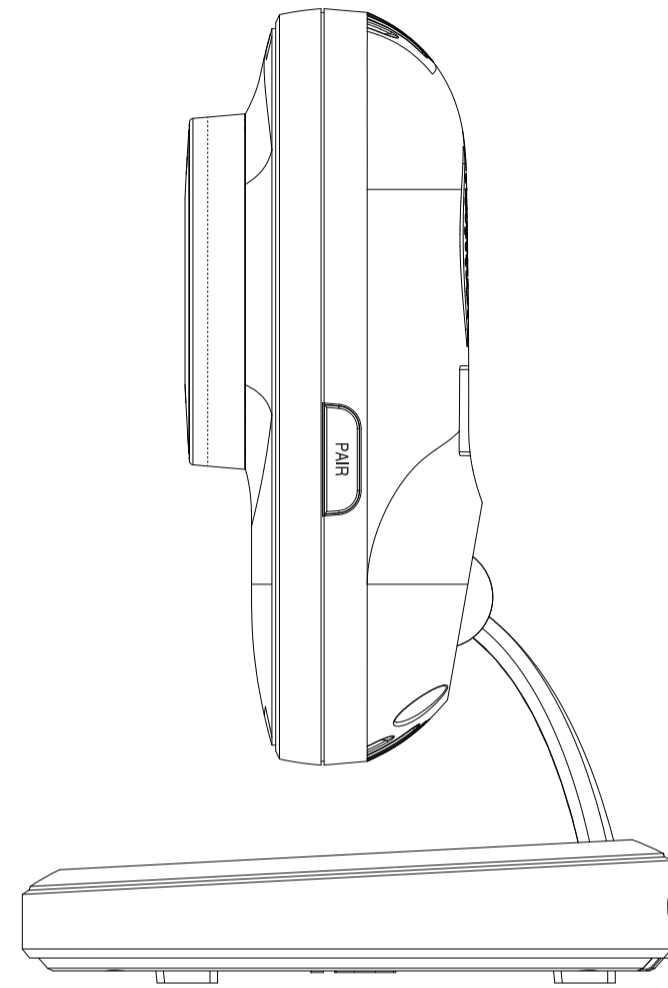
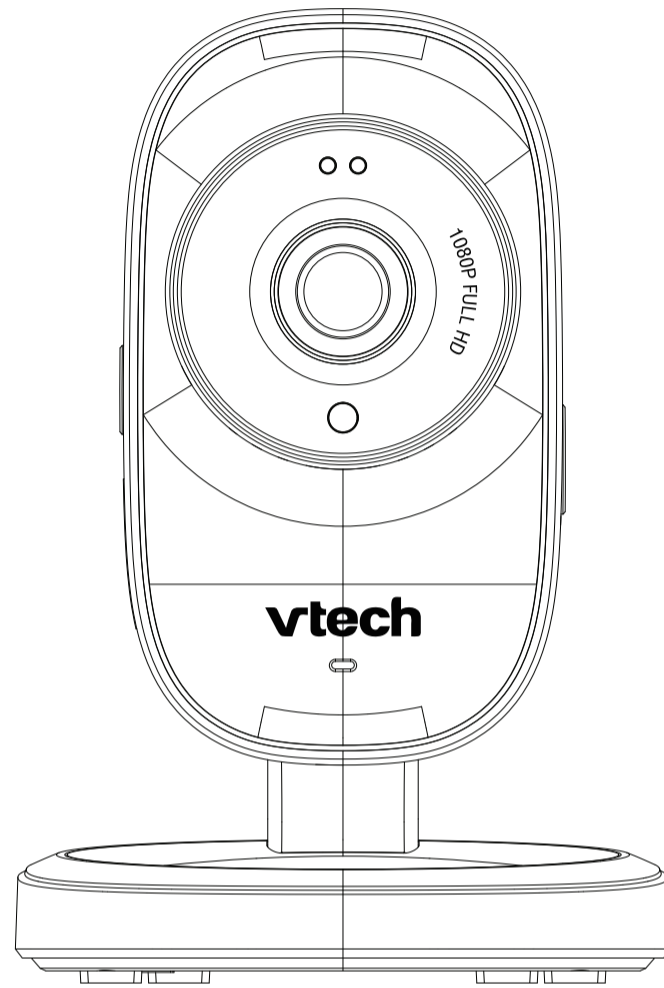
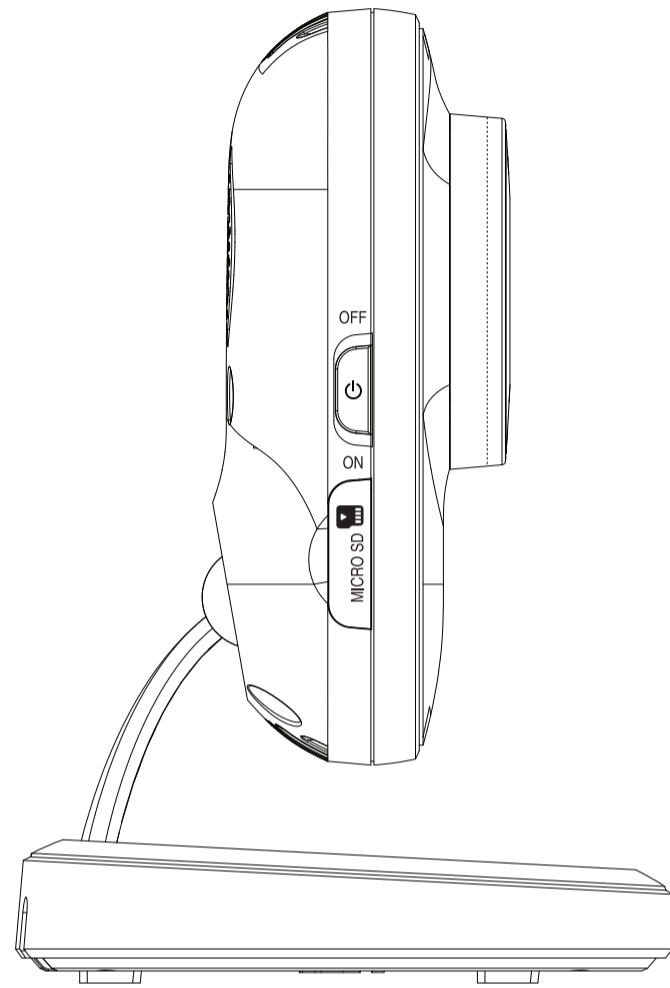


VC9411-X Engraving



BU SN LBL
 SIZE: 44.5X25.5,mm
 50# UL Approved PET

vtech
 MANUFACTURED IN CHINA
 www.vtechphones.com
 VTech Customer Service
 1-800-595-9511
 FCC ID: EW780-1367-00
 IC: 1135B-00136700
 HVIN: 35-400190BU
 Model: VC9411 Camera
 S/N: XXXXXXXXXXXX

PAIR

 Intertek
 3177099
 I.T.E.
 DC 5V 1.5A

vtech
 MANUFACTURED IN CHINA
 www.vtechphones.com
 VTech Customer Service
 1-800-595-9511
 FCC ID: EW780-1367-00
 IC: 1135B-00136700
 HVIN: 35-400190BU
 Model: VC9411-12 Camera
 S/N: XXXXXXXXXXXX

PAIR

 Intertek
 3177099
 I.T.E.
 DC 5V 1.5A

vtech
 MANUFACTURED IN CHINA
 www.vtechphones.com
 VTech Customer Service
 1-800-595-9511
 FCC ID: EW780-1367-00
 IC: 1135B-00136700
 HVIN: 35-400190BU
 Model: VC9411-2 Camera
 S/N: XXXXXXXXXXXX

PAIR

 Intertek
 3177099
 I.T.E.
 DC 5V 1.5A

vtech
 MANUFACTURED IN CHINA
 www.vtechphones.com
 VTech Customer Service
 1-800-595-9511
 FCC ID: EW780-1367-00
 IC: 1135B-00136700
 HVIN: 35-400190BU
 Model: VC9411-3 Camera
 S/N: XXXXXXXXXXXX

PAIR

 Intertek
 3177099
 I.T.E.
 DC 5V 1.5A

vtech
 MANUFACTURED IN CHINA
 www.vtechphones.com
 VTech Customer Service
 1-800-595-9511
 FCC ID: EW780-1367-00
 IC: 1135B-00136700
 HVIN: 35-400190BU
 Model: VC9411-3 Camera
 S/N: XXXXXXXXXXXX

PAIR

 Intertek
 3177099
 I.T.E.
 DC 5V 1.5A

For Baby Unit