

HS LBL
25X9 mm

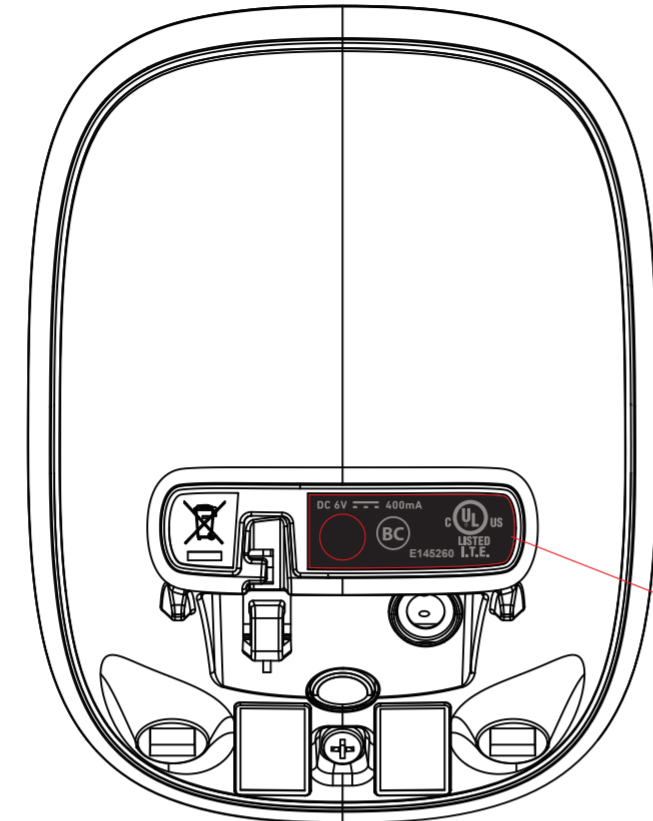


HS LBL
20X10 mm

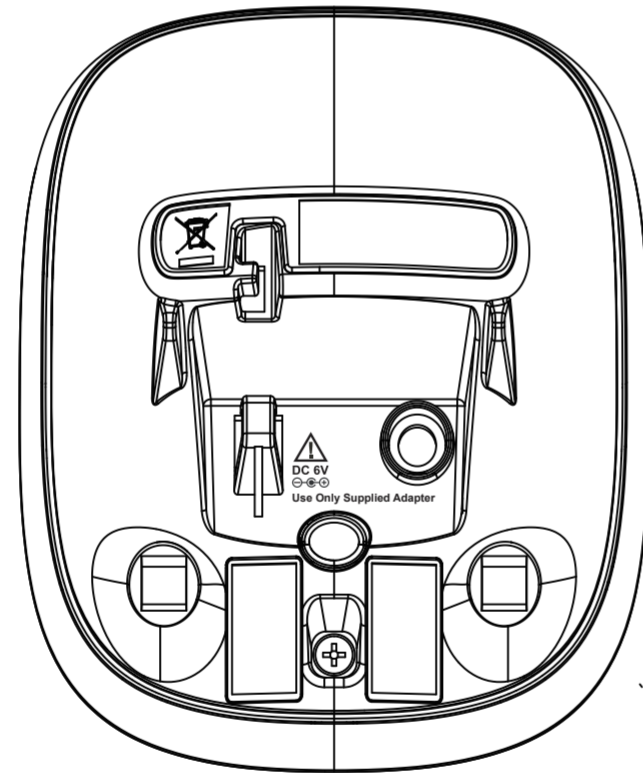


HS LBL
22X17.5 mm

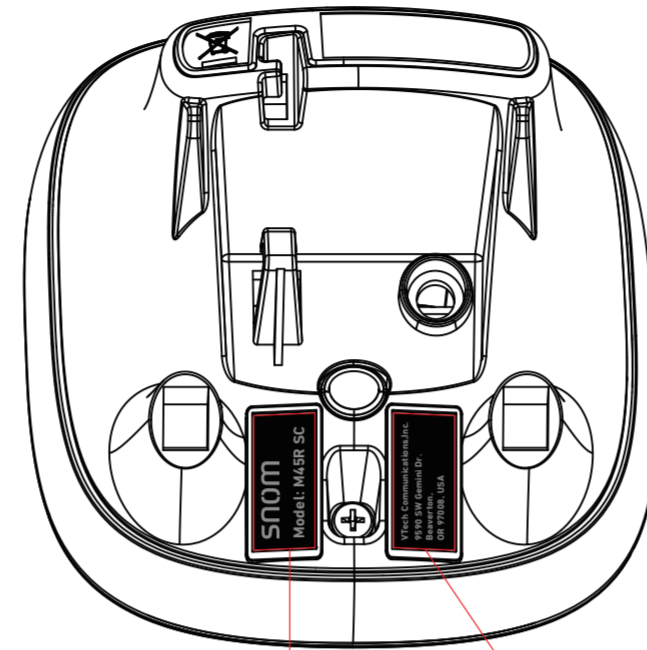
HS LBL



CHG LBL
27.14X9.75 mm



CHG LBL



CHG LBL
8.1X18.14 mm

CHG LBL
8.1X18.14 mm



BOX LBL











80.0mm

150.0mm

CTN LBL

snom	
Model No.	M45R SC
Product No.	00004416
Quantity	4 pcs
Firmware	
Revision	
G.W.	
Carton ID	
UPC	
  	
<small>VTech Communications, Inc. 9590 SW Gemini Dr. Beaverton, OR 97008, USA Made in China © 2019 by Snom Technology GmbH. All rights reserved.</small>	

100.0mm

S/N	
	XXXY888889999
	
	XXXY888889999
	
	XXXY888889999
	
	XXXY888889999
IPEI	
	XXXXXXXXXXXX
	
	XXXXXXXXXXXX
	
	XXXXXXXXXXXX
	
	XXXXXXXXXXXX

55.0mm