

**Model: SN5147\_BT Antenna**

**Antenna description:**

This Monopole is optimized and used in the Handset unit. This antenna is directly soldered to the BT ANT2 RF output in the main PCB.

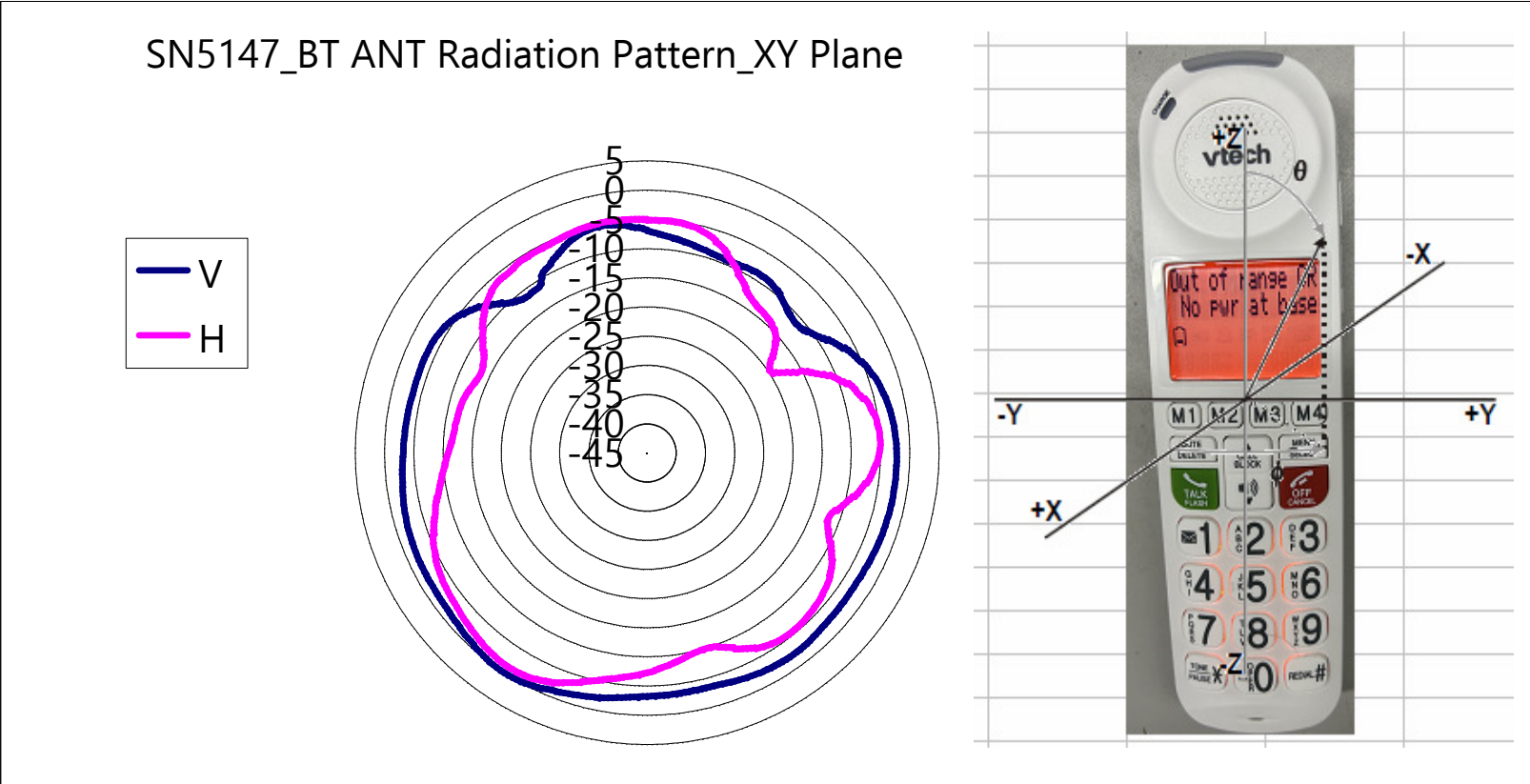
Model Number	Description
SN5147_BT	2.4GHZ Monopole Antenna

**Specification:**

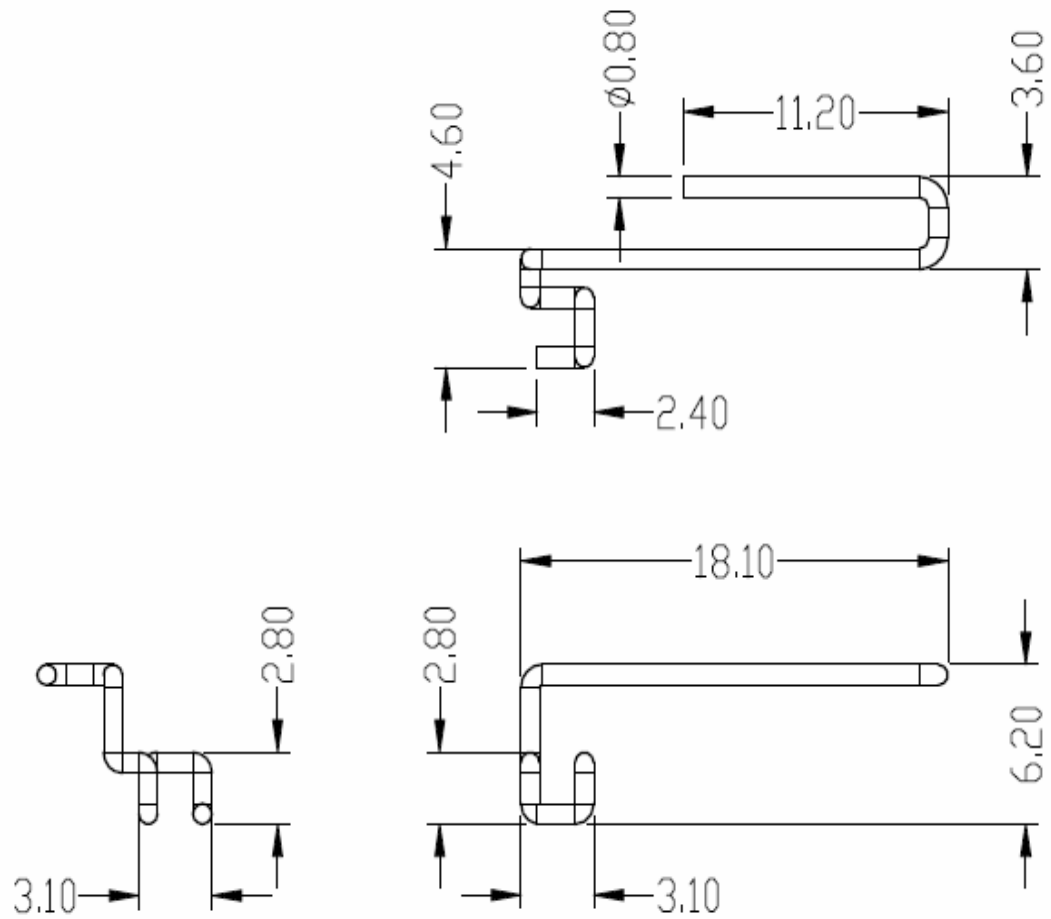
<b>Operation Frequency Range</b>	2402 to 2480 MHZ
<b>Maximum Gain</b>	0 dBi
<b>Type</b>	Monopole Antenna
<b>Operation bandwidth</b>	70MHz
<b>Nominal Impedance</b>	~50 ohms
<b>Manufacturer</b>	Vtech Telecommunications Ltd
<b>Manufacturer address</b>	23/F, Tai Ping Industrial Centre, Blk1, 57 Ting Kok Road, Tai Po, Hong Kong
<b>Model number</b>	ANT-SN5147-P-BT-0

**\*NOTE: Frequency and Orientation with maximum Antenna Gain.**

	V	H	Frequency MHZ
Antenna Gain (dBi)	0.00	-1.25	2441.000



# SN5147 Handset BT Antenna Dimensions in mm



**Model: SN5147\_ANT1**

**Antenna description:**

This Monopole is optimized and used in the Handset unit. This antenna is directly soldered to the ANT1 RF output in the main PCB.

Model Number	Description
SN5147_ANT1	1.9GHZ Monopole Antenna

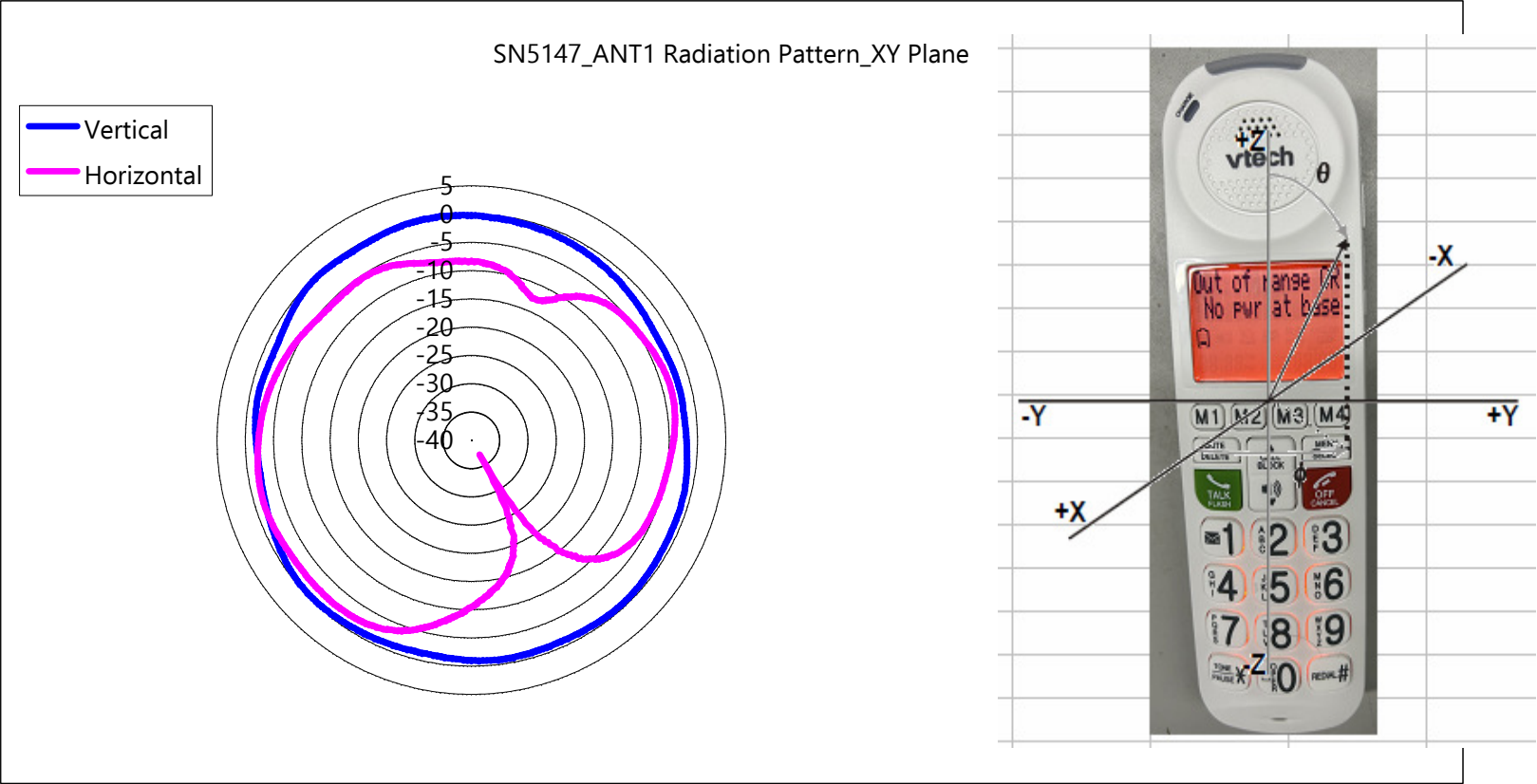
**Specification:**

<b>Operation Frequency Range</b>	1921.536 to 1928.448 MHZ
<b>Maximum Gain</b>	0 dBi
<b>Type</b>	Monopole Antenna
<b>Operation bandwidth</b>	70MHz
<b>Nominal Impedance</b>	~50 ohms
<b>Manufacturer</b>	Vtech Telecommunications Ltd
<b>Manufacturer address</b>	23/F, Tai Ping Industrial Centre, Blk1, 57 Ting Kok Road, Tai Po, Hong Kong
<b>Model number</b>	ANT-SN5147-P-DE-1

**\*NOTE: Frequency and Orientation with maximum Antenna Gain.**

**Frequency: 1924.992 MHZ**

	Vertical	Horizontal
Antenna Gain (dBi)	0.00	-1.63



**SN5147 Handset ANT1 Dimensions in mm**

