

Model: CL84207 Handset Antenna

Antenna description:

This Printed F antenna is optimized and used in the Handset unit. This antenna is directly soldered to the ANT RF output in the main PCB.

Model Number	Description
CL84207 Handset ANT0	1.9GHZ printed F-Antenna

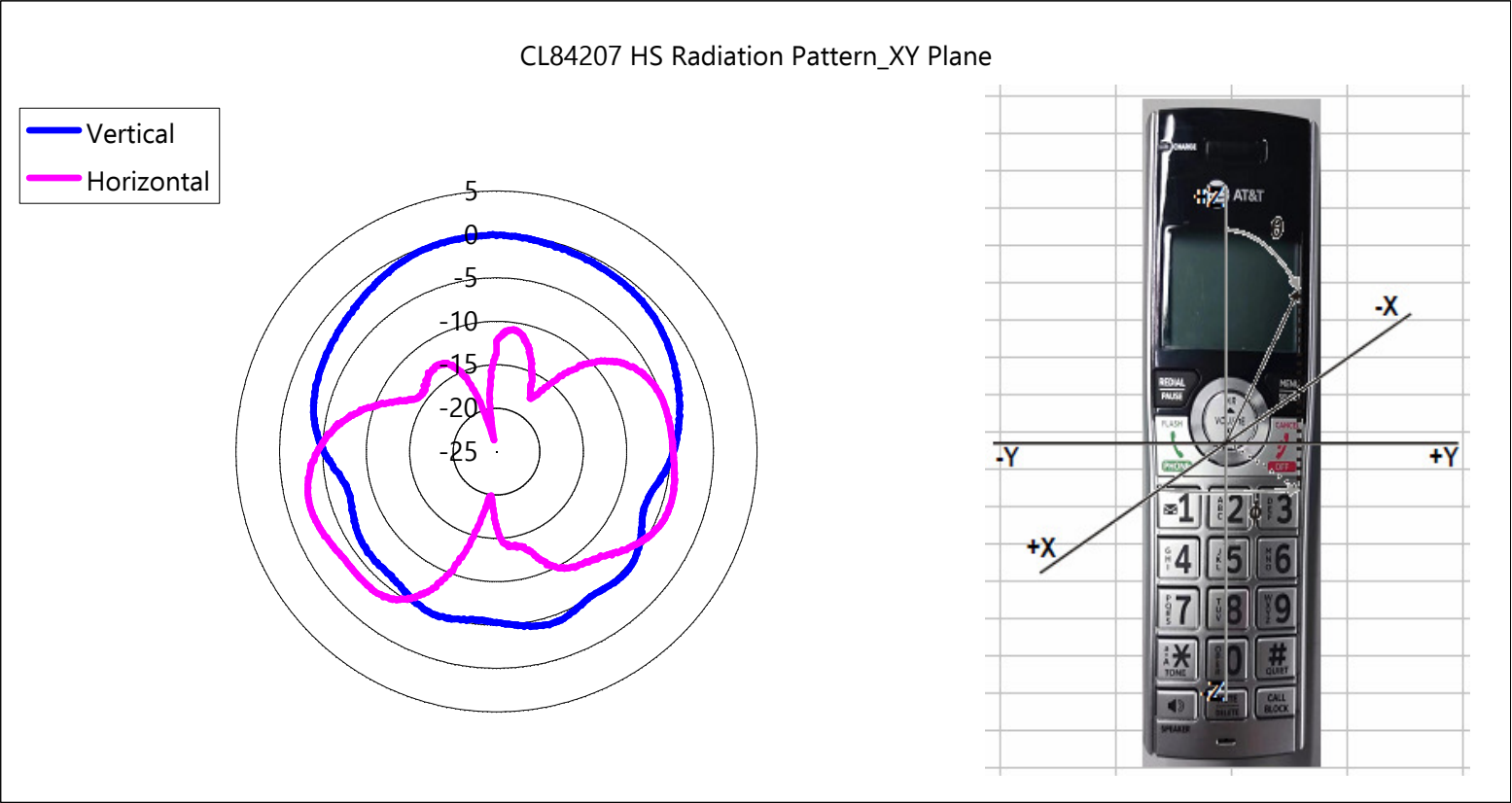
Specification:

Operation Frequency Range	1921.536 to 1928.448 MHZ
Maximum Gain	0 dBi
Type	printed F-Antenna
Operation bandwidth	70MHz
Nominal Impedance	~50 ohms
Manufacturer	Vtech Telecommunications Ltd
Manufacturer address	23/F, Tai Ping Industrial Centre, Blk1, 57 Ting Kok Road, Tai Po, Hong Kong
Model number	ANT-CL84207-P-DE-0

***NOTE: Handset Frequency and Orientation with maximum Antenna Gain.**

Frequency: 1924.992 MHZ

	Vertical	Horizontal
Antenna Gain (dBi)	0.00	-2.60



CL84207 Handset Antenna Dimensions in mm



Model: CL84207 BS ANT0

Antenna description:

This monopole antenna is optimized and used in the Base unit. This antenna is directly soldered to the ANT0 RF output in the main PCB.

Model Number	Description
CL82407 Base ANT0	1.9GHZ Monopole Antenna

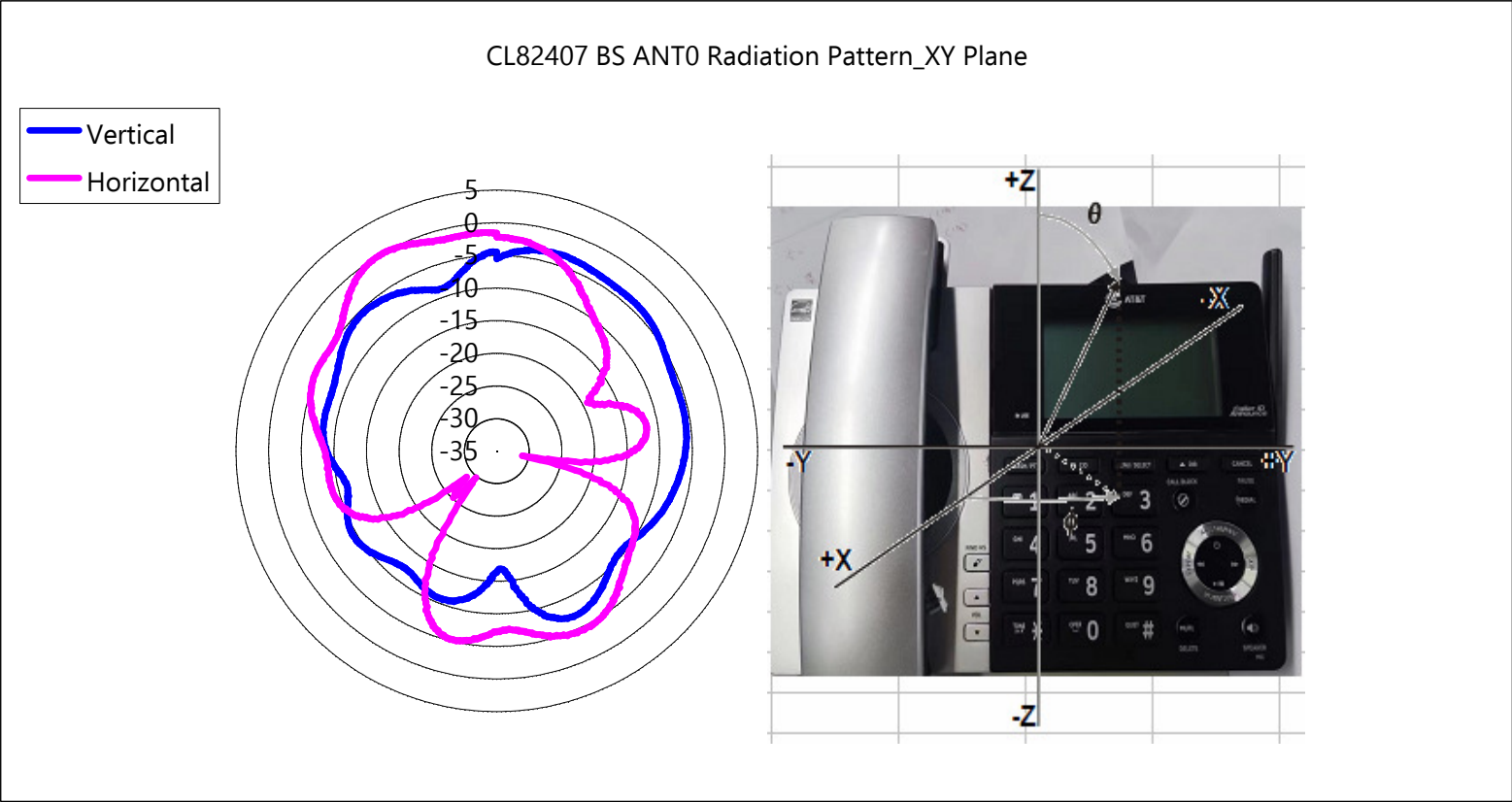
Specification:

Operation Frequency Range	1921.536 to 1928.448 MHZ
Maximum Gain	0 dBi
Type	Monopole
Operation bandwidth	70MHz
Nominal Impedance	~50 ohms
Manufacturer	Vtech Telecommunications Ltd
Manufacturer address	23/F, Tai Ping Industrial Centre, Blk1, 57 Ting Kok Road, Tai Po, Hong Kong
Model number	ANT-CL82407-F-DE-0

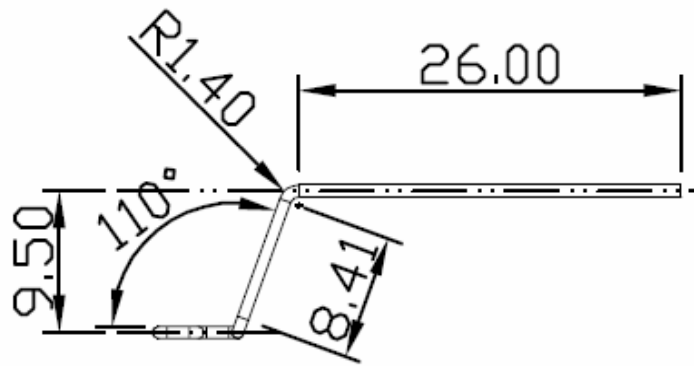
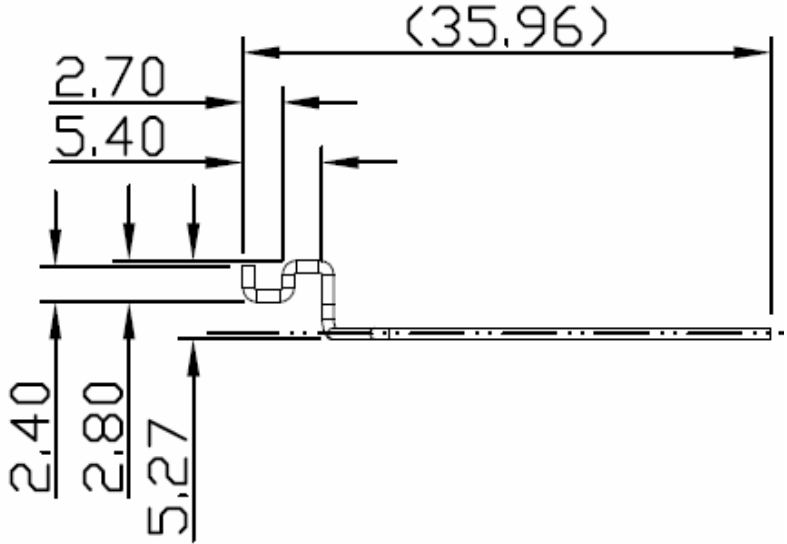
***NOTE: Base Frequency and Orientation with maximum Antenna Gain.**

Frequency: 1924.992 MHZ

	Vertical	Horizontal
Antenna Gain (dBi)	-3.30	0.00



CL82407 BS ANT0 Dimensions in mm:



Model: CL82407 BS ANT1

Antenna description:

This Sleeve Dipole Antenna is optimized and used in the Base unit. This antenna is directly soldered to the ANT1 RF output in the main PCB.

Model Number	Description
CL82407 Base ANT1	1.9GHZ Sleeve Dipole Antenna

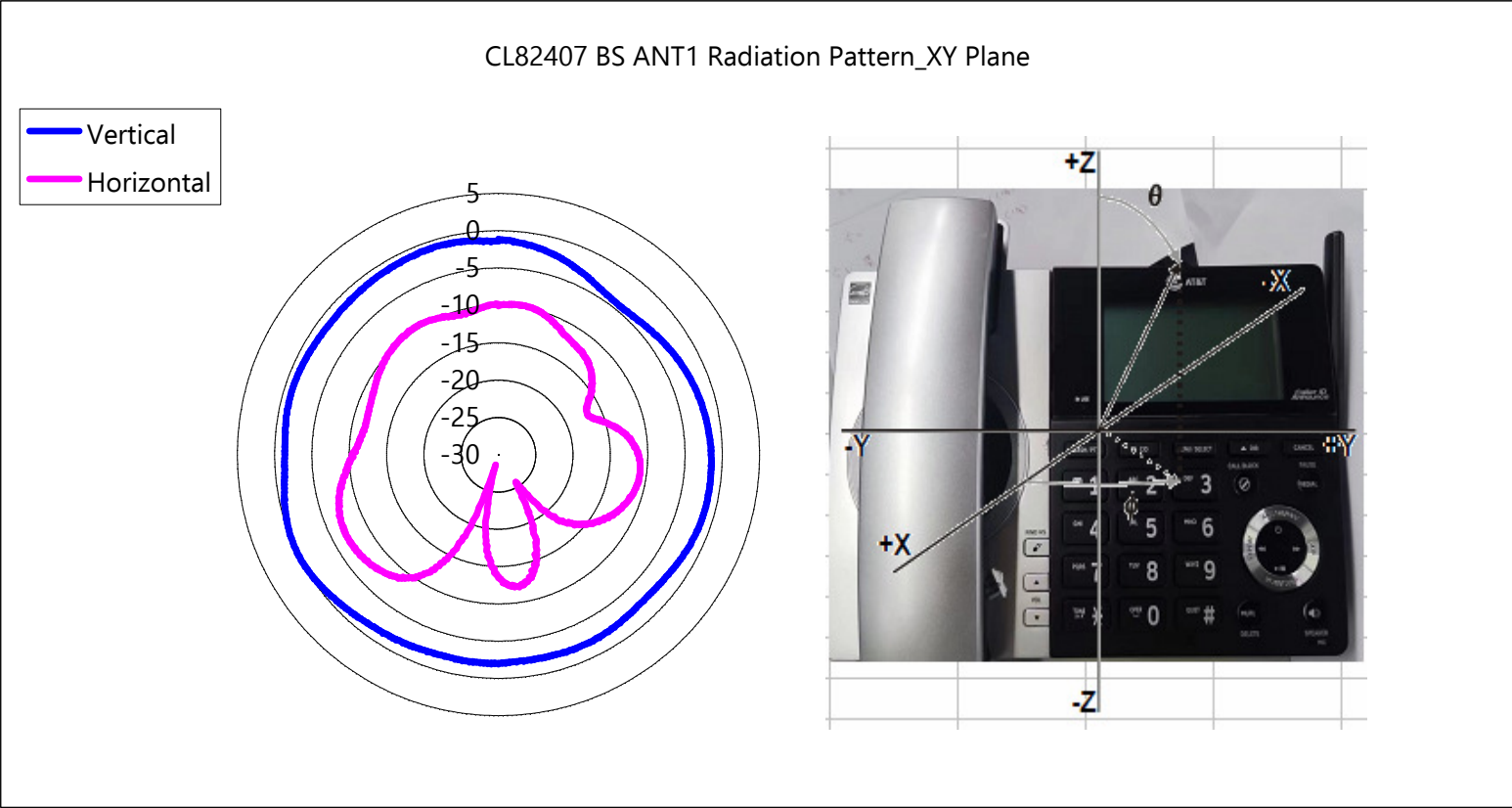
Specification:

Operation Frequency Range	1921.536 to 1928.448 MHZ
Maximum Gain	0 dBi
Type	Sleeve Dipole Antenna
Operation bandwidth	70MHz
Nominal Impedance	~50 ohms
Manufacturer	Vtech Telecommunications Ltd
Manufacturer address	23/F, Tai Ping Industrial Centre, Blk1, 57 Ting Kok Road, Tai Po, Hong Kong
Model number	ANT-CL82407-F-DE-1

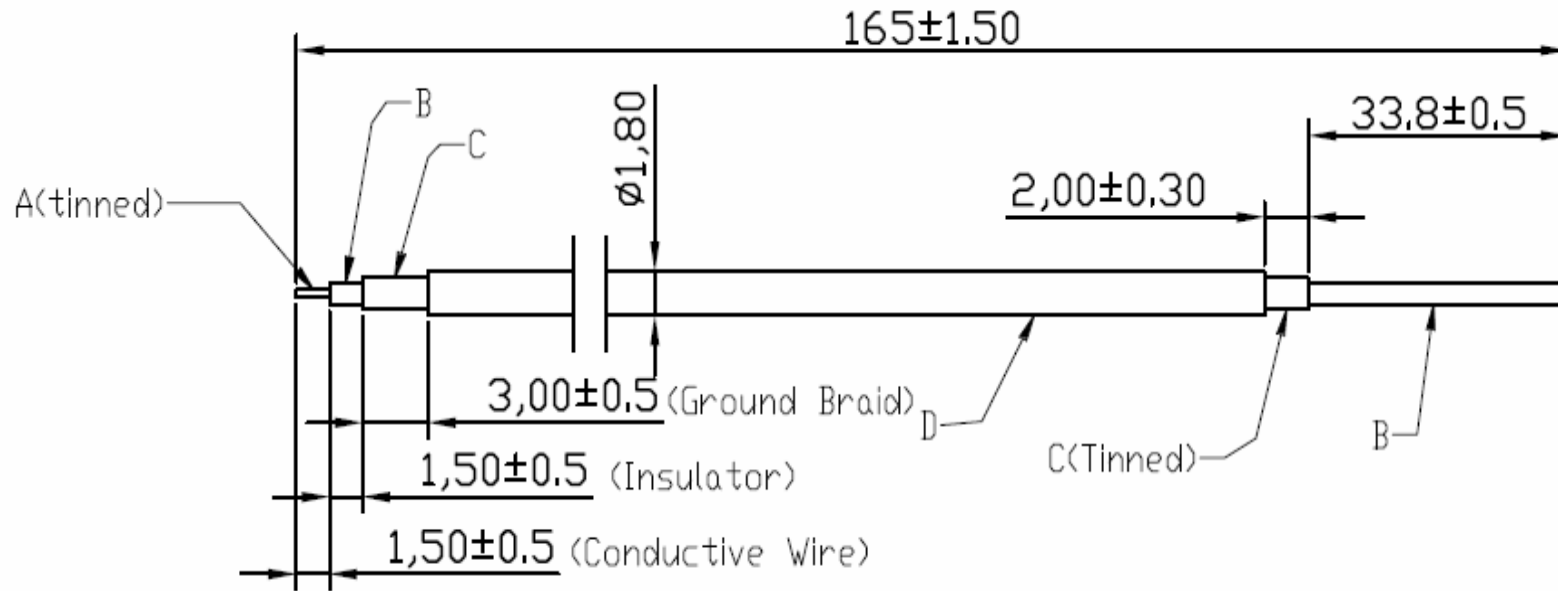
***NOTE: Base Frequency and Orientation with maximum Antenna Gain.**

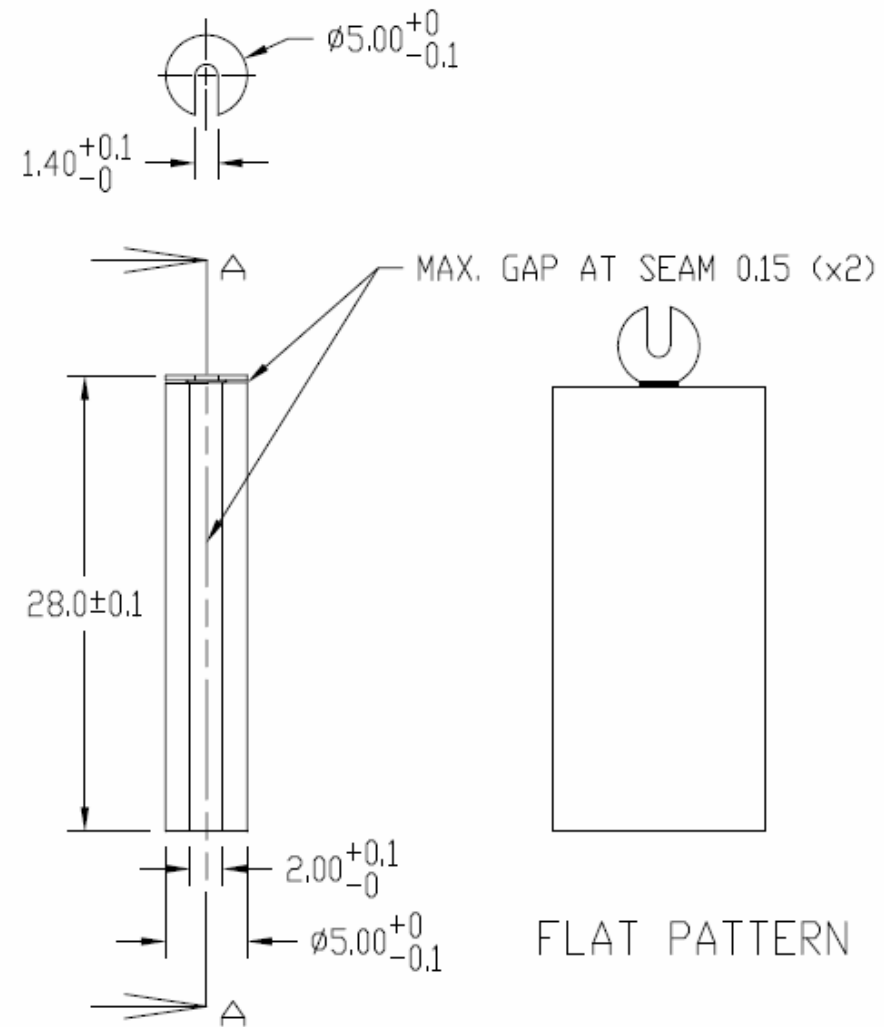
Frequency: 1924.992 MHZ

	Vertical	Horizontal
Antenna Gain (dBi)	0.00	-6.91



CL82407 BS ANT1 Dimensions in mm





Model: CL84207 BS BT ANT

Antenna description:

This Printed F Antenna is optimized and used in the Base unit. This antenna is directly soldered to the BT ANT RF output in the main PCB.

Model Number	Description
CL84207 Base BT ANT	2.4GHZ Printed F Antenna

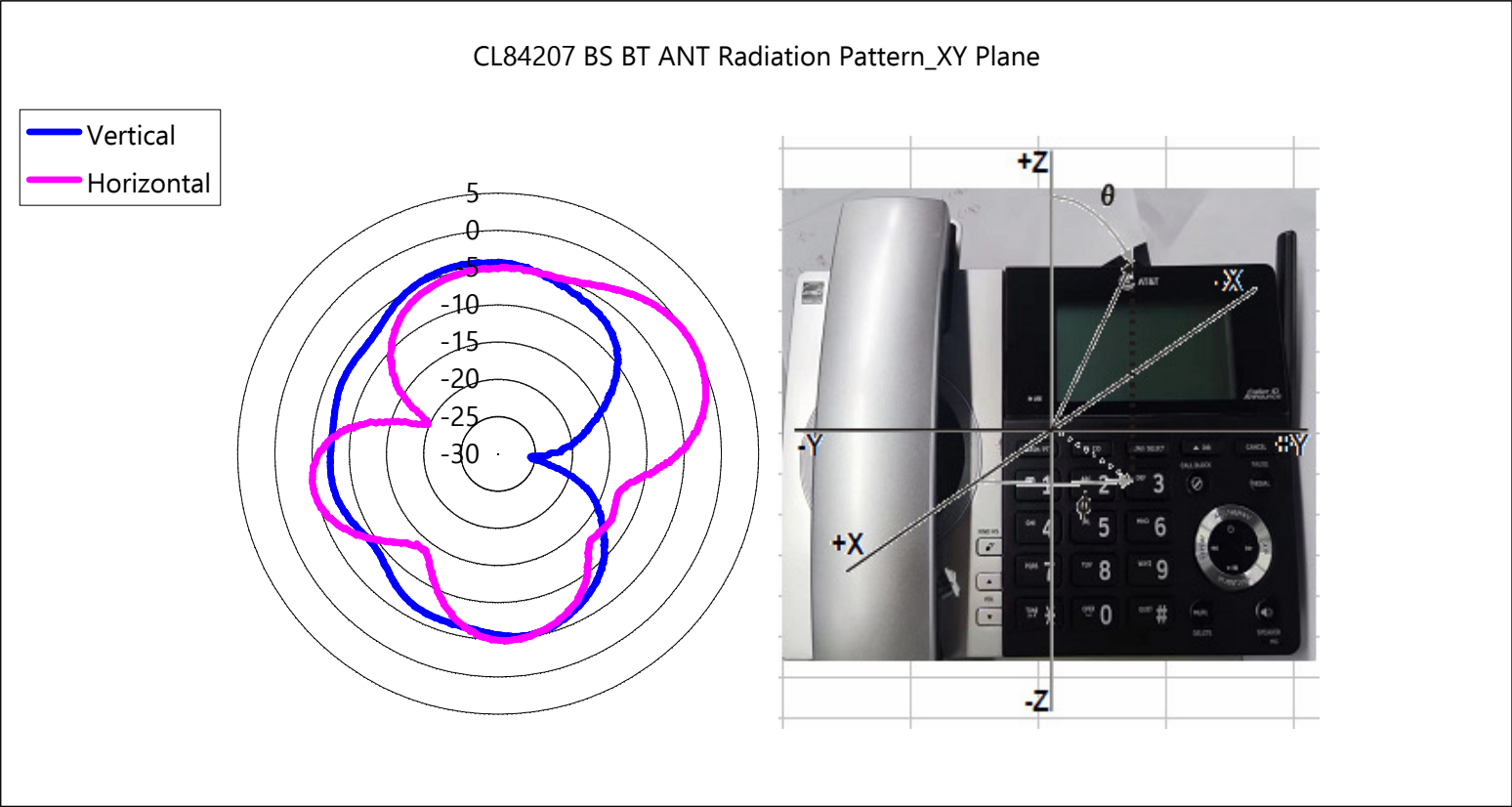
Specification:

Operation Frequency Range	2402 to 2480 MHZ
Maximum Gain	0 dBi
Type	Printed F Antenna
Operation bandwidth	70MHz
Nominal Impedance	~50 ohms
Manufacturer	Vtech Telecommunications Ltd
Manufacturer address	23/F, Tai Ping Industrial Centre, Blk1, 57 Ting Kok Road, Tai Po, Hong Kong
Model number	ANT-CL84207-F-BT-0

***NOTE: Frequency and Orientation with maximum Antenna Gain.**

Frequency: 2480 MHZ

	Vertical	Horizontal
Antenna Gain (dBi)	-4.16	0.00



CL84207 BS BT Antenna Dimensions in mm

