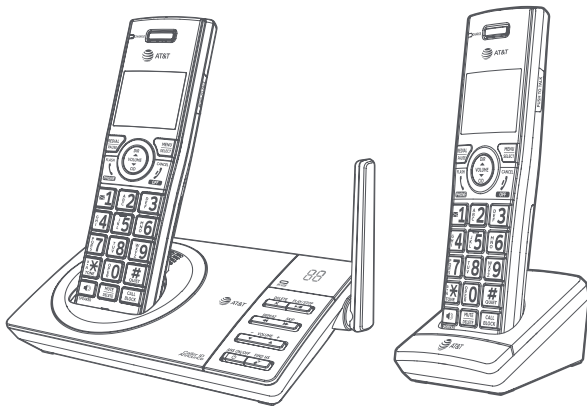




## Quick start guide

CL82107/CL82167/CL82207/CL82257/  
CL82267/CL82307/CL82357/CL82367/  
CL82407/CL82467/CL82507/CL82547/  
CL82557

DECT 6.0 cordless telephone/  
answering system with caller ID/  
call waiting



Scan the QR code for  
support information



# Congratulations

on your purchase of this AT&T product. Before using this AT&T product, please read the **Important safety information** section on pages 1-3 of this manual.

Both the model and serial numbers of your AT&T product can be found on the bottom of the telephone base. Save your sales receipt and original packaging in case it is necessary to return your telephone for warranty service.

For customer service, please visit our website at <https://telephones.att.com> or call **1 (800) 222-3111**. In Canada, dial **1 (866) 288-4268**.



Please refer to the online **CL82107/CL82167/CL82207/CL82257/CL82267/CL82307/CL82357/CL82367/CL82407/CL82467/CL82507/CL82547/CL82557** DECT 6.0 cordless telephone/answering system with caller ID/call waiting Complete user's manual for a full set of installation and operation instructions at <https://telephones.att.com/manuals>.

## Parts checklist

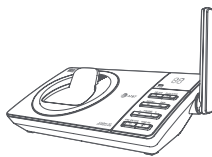
Your telephone package contains the following items.



Quick start guide



Smart call blocker leaflet



Telephone base



Power adapter for telephone base



Cordless handset



Battery for cordless handset



Battery compartment cover



Telephone line cord



Wall-mount bracket

(1 for CL82107/CL82167)  
(2 for CL82207/CL82257/CL82267)  
(3 for CL82307/CL82357/CL82367)  
(4 for CL82407/CL82467)  
(5 for CL82507/CL82547/CL82557)



Charger for cordless handset with power adapter installed

(1 for CL82207/CL82257/CL82267)  
(2 for CL82307/CL82357/CL82367)  
(3 for CL82407/CL82467)  
(4 for CL82507/CL82547/CL82557)

# Important safety information



This symbol is to alert you to important operating or servicing instructions that may appear in this user's manual. Always follow basic safety precautions when using this product to reduce the risk of injury, fire, or electric shock.

## Safety information

---

- ▶ Read and understand all instructions in the user's manual. Observe all markings on the product.
- ▶ Avoid using a telephone during a thunderstorm. There may be a slight chance of electric shock from lightning.
- ▶ Do not use a telephone in the vicinity of a gas leak. Under certain circumstances, a spark may be created when the adapter is plugged into the power outlet, or when the handset is replaced in its cradle. This is a common event associated with the closing of any electrical circuit. In an inadequately ventilated environment, the user should not plug the phone into a power outlet, nor put a charged handset into the cradle where there are concentrations of flammable or flame-supporting gases. A spark in such an environment could create a fire or explosion. Such environments might include: medical use of oxygen without adequate ventilation; industrial gases (cleaning solvents; gasoline vapors; etc.); a leak of natural gas; etc.
- ▶ Do not use this product near water or when you are wet. For example, do not use it in a wet basement or shower, nor next to a swimming pool, bathtub, kitchen sink and laundry tub. Do not use liquids or aerosol sprays for cleaning. If the product comes in contact with any liquid, unplug any line or power cord immediately. Do not plug the product back in until it has dried thoroughly.
- ▶ Install this product in a protected location where no one can trip over any line or power cords. Protect cords from damage or abrasion.
- ▶ If this product does not operate normally, see the **Troubleshooting** section of the online Complete user's manual. If you cannot solve the problem, or if the product is damaged, refer to the **Limited warranty** section (pages 35 - 37). Do not open this product except as directed in your user's manual. Opening the product or reassembling it incorrectly may expose you to hazardous voltages or other risks.
- ▶ Replace batteries, only as described in your user's manual (Page 6). Do not burn or puncture batteries — they contain caustic chemicals.
- ▶ This power adapter is intended to be correctly oriented in a vertical or floor mount position. The prongs are not designed to hold the plug in place if it is plugged into a ceiling or an under-the-table/cabinet outlet.
- ▶ For pluggable equipment, the socket-outlet shall be installed near the equipment and shall be easily accessible.



## CAUTIONS:

- ▶ Use only the power adapter provided with this product. To obtain a replacement, visit our website at <https://telephones.att.com> or call **1 (800) 222-3111. In Canada, dial 1 (866) 288-4268.**

# Important safety information



**CAUTION:** To prevent risk of fire or battery explosion, replace with the correct battery type. Dispose of used batteries according to the instructions.

- ▶ Disconnect the telephone line from the equipment before open the battery door.  
Do not use the battery in following conditions:
  - ▶ High or low extreme temperature during use, storage or transportation.
  - ▶ Replacement of a battery with an incorrect type that can defeat a safeguard.
  - ▶ Disposal of a battery into fire or a hot oven, or mechanically crushing or cutting of a battery, that can result in an explosion.
  - ▶ Leaving a battery in an extremely high temperature surrounding environment that can result in an explosion or the leakage of flammable liquid or gas.
  - ▶ A battery subjected to extremely low air pressure that can result in an explosion or the leakage of flammable liquid or gas.
- ▶ Use only the supplied rechargeable battery or replacement battery (model BT183342/BT283342). To order, visit our website at

**<https://telephones.att.com>**, or call **1 (800) 222-3111**. In Canada, dial **1 (866) 288-4268**.

- ▶ The applied nameplate is located at the bottom or near of the product.

## **Especially about cordless telephones**

---

- ▶ **Privacy:** The same features that make a cordless telephone convenient create some limitations. Telephone calls are transmitted between the telephone base and the handset by radio waves, so there is a possibility that your cordless telephone conversations could be intercepted by radio receiving equipment within range of the cordless handset. For this reason, you should not think of cordless telephone conversations as being as private as those on corded telephones.
- ▶ **Electrical power:** The telephone base of this cordless telephone must be connected to a working electrical outlet which is not controlled by a wall switch. Calls cannot be made from the handset if the telephone base is unplugged, switched off or if the electrical power is interrupted.
- ▶ **Potential TV interference:** Some cordless telephones operate at frequencies that may cause interference to TVs and VCRs. To minimize or prevent such interference, do not place the telephone base of the cordless telephone near or on top of a TV or VCR. If interference is experienced, moving the cordless telephone farther away from the TV or VCR will often reduce or eliminate the interference.
- ▶ **Rechargeable batteries:** This product contains nickel-metal hydride rechargeable batteries. Exercise care in handling batteries in order not to create a short circuit with conductive material such as rings, bracelets, and keys. The battery or conductor may overheat and cause harm. Observe proper polarity between the battery and the battery charger.

# Important safety information

- ▶ Nickel-metal hydride rechargeable batteries: Dispose of these batteries in a safe manner. Do not burn or puncture. Like other batteries of this type, if burned or punctured, they could release caustic material which could cause injury.



The RBRC Seal means that the manufacturer is voluntarily participating in an industry program to collect and recycle nickel-metal hydride rechargeable batteries when taken out of service within the United States. These batteries may be taken to a participating local retailer of replacement batteries or recycling center. You may call 1-800-8-BATTERY® for locations accepting spent Ni-MH batteries.

The RBRC Seal and 1-800-8-BATTERY® are registered trademarks of Call2recycle, Inc.

## **Precautions for users of implanted cardiac pacemakers**

---

Cardiac pacemakers (applies only to digital cordless telephones):

Wireless Technology Research, LLC (WTR), an independent research entity, led a multidisciplinary evaluation of the interference between portable wireless telephones and implanted cardiac pacemakers. Supported by the U.S. Food and Drug Administration, WTR recommends to physicians that:

### **Pacemaker patients:**

- ▶ Should keep wireless telephones at least six inches from the pacemaker.
- ▶ Should NOT place wireless telephones directly over the pacemaker, such as in a breast pocket, when it is turned ON.
- ▶ Should use the wireless telephone at the ear opposite the pacemaker.

WTR's evaluation did not identify any risk to bystanders with pacemakers from other persons using wireless telephones.

## **ECO mode**

---

This power conserving technology reduces power consumption for optimal battery performance. The ECO mode activates automatically whenever the handset is synchronized with the telephone base.

## **Especially about telephone answering systems**

---

Two-way recording: This unit does not sound warning beeps to inform the other party that the call is being recorded. To ensure that you are in compliance with any federal or state regulations regarding recording a telephone call, you should start the recording process and then inform the other party that you are recording the conversation.

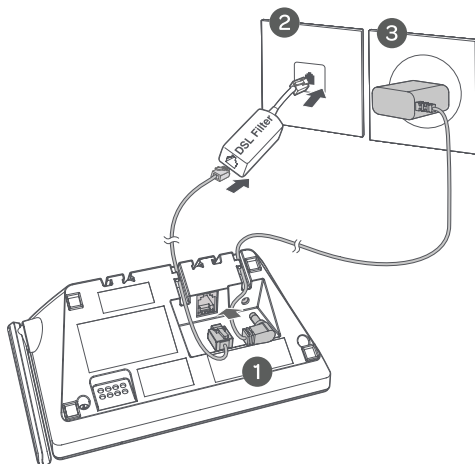
# **SAVE THESE INSTRUCTIONS**

# Table of contents

Important safety information .....	1
Install.....	5
Wall-mount installation (optional) .....	7
Handset overview .....	8
Telephone base overview.....	11
Initial basic settings.....	13
Smart call blocker setup via voice guide.....	13
Basic answering system setup via voice guide.....	13
Date and time .....	14
Record your own announcement.....	14
Number of rings.....	14
Ringer volume.....	15
LCD language.....	15
Voice language.....	15
Dial mode.....	15
Temporary tone dialing.....	16
Set speed dial voicemail number .....	16
Operate.....	16
Directory .....	17
Bluetooth®.....	18
Pair a Bluetooth cell phone and download the phonebook.....	18
Caller ID .....	20
Caller ID announce.....	20
Review and dial a number in the call log.....	20
Delete a caller ID log entry.....	20
Erase missed calls indicator in the call log.....	20
Smart call blocker *5.....	21
Turn Smart call blocker on or off.....	21
Call controls.....	21
Call block settings.....	24
Block the caller while on a call.....	25
Unblock a telephone number .....	25
Answering system .....	26
About answering system and voicemail.....	26
Turn answering system on or off.....	27
Message alert tone.....	27
Call screening.....	27
Message playback.....	28
For C-UL compliance.....	29
FCC Part 68 and ACTA.....	33
FCC Part 15.....	34
Limited warranty.....	35
Technical specifications.....	38

# Install

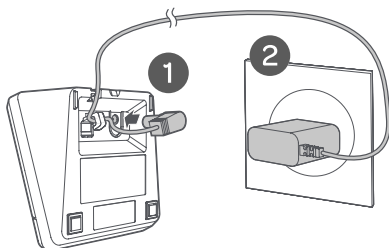
## Telephone base



### Notes:

- ▶ Plug one end of the telephone line cord into a telephone jack or a DSL filter.
- ▶ If you have DSL high-speed Internet service, a DSL filter (not included) is required.

## Charger



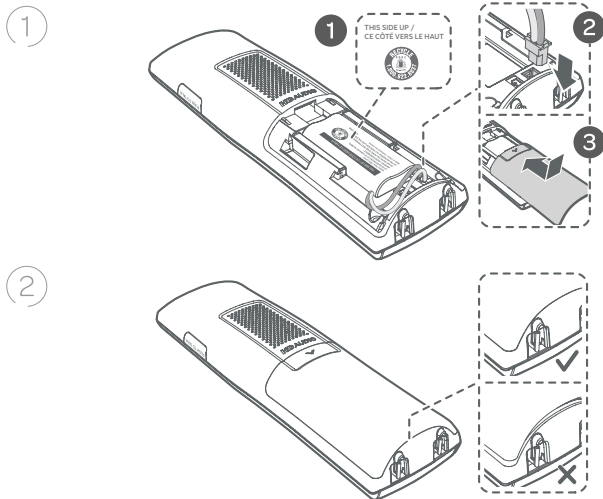
Caution: Use only the power adapter(s) provided with this product. To obtain a replacement, visit our website at

<https://telephones.att.com> or call **1 (800) 222-3111**. In Canada, dial **1 (866) 288-4268**.

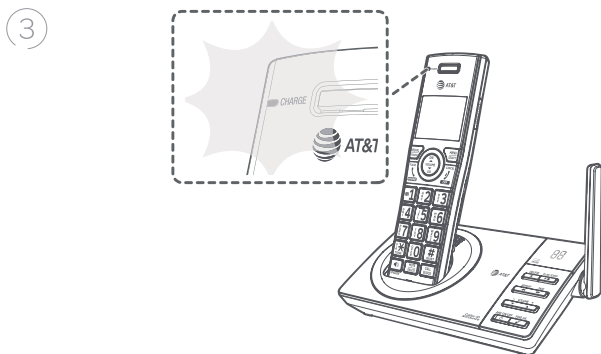
# Install

## Battery

Install the battery, as shown below.



Charge your handset(s) before initial use. The battery is fully charged after 11 hours of continuous charging. The **CHARGE** light on the top of the handset is on during charging.



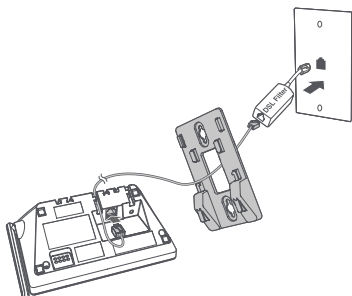
Caution: Use only the supplied rechargeable battery or replacement battery (model BT183342/BT283342).



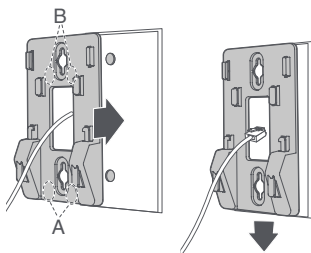


## Wall-mount installation (optional)

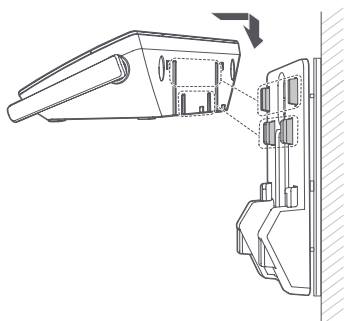
- 1 Plug the telephone line into the telephone base.



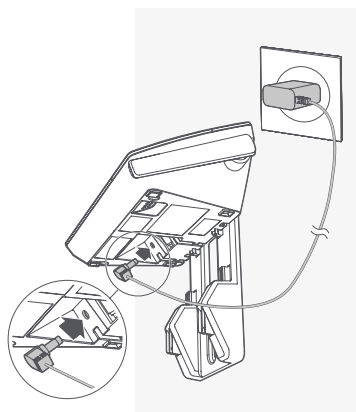
- 2 Align the holes on the wall-mount bracket with the standard wall plate and slide the wall-mount bracket down until it locks securely.



- 3 Insert the extended tabs of the wall-mount bracket into the slots on the back of the telephone base. Push the telephone base down until it is securely in place.

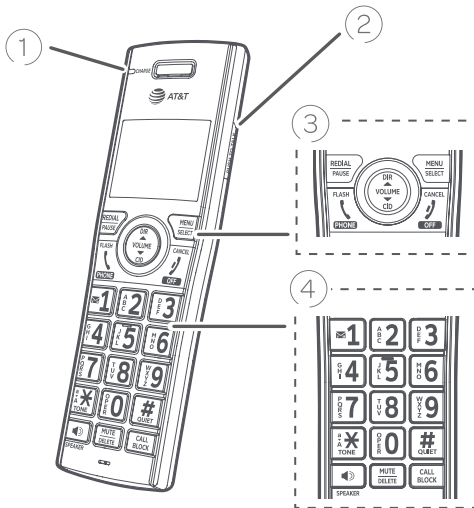


- 4 Plug the power adapter into a power outlet not controlled by a wall switch. Plug the other end of the power adapter into the telephone base.





# Handset overview



## Handset

- 
- ① **CHARGE light** ▶ On when the handset is charging in the telephone base or charger.
- 
- ② **PUSH TO TALK** ▶ Press to initiate a one-to-one or one-to-group broadcast.  
 ▶ Press and hold to broadcast to a group of system devices.
- 
- ③ **REDIAL PAUSE** ▶ Press repeatedly to view the last ten numbers dialed.  
 ▶ While entering numbers, press and hold to insert a dialing pause.
- MENU SELECT** ▶ When the handset is not in use, press to show the menu.  
 ▶ While in the menu, press to select an item or save an entry or setting.
- FLASH PHONE** ▶ Press to make a call.  
 ▶ Press to answer a call.  
 ▶ During a call, press to answer an incoming call when you receive a call waiting alert.



# Handset overview

## Handset

---

3



- ▶ During a call, press to hang up.
- ▶ While in a menu, press to cancel an operation.
- ▶ Press to back up to the previous menu.
- ▶ Press and hold to exit the menu display completely.
- ▶ When the handset is ringing, press to mute the ringer temporarily.
- ▶ Press and hold while the telephone is not in use to erase the missed call indicator.

**DIR**



- ▶ Press **DIR** to show directory entries when the handset is not in use.
- ▶ While entering names or numbers, press to move the cursor to the left or right.
- ▶ Press to increase or decrease the listening volume when on a call.
- ▶ Press to increase or decrease the message playback volume.

**CID**

- ▶ Press **CID** to show caller ID log when the handset is not in use.

4



- ▶ Press and hold to set or dial your voicemail number.



- ▶ Press to switch to tone dialing temporarily during a call if you have pulse service.
- ▶ While entering names, press to change the next letter to upper or lower case.



- ▶ Press repeatedly to display other dialing options when reviewing a caller ID log entry.
- ▶ Press and hold to enter the **QUIET** mode setting screen, or to deactivate **QUIET** mode.



SPEAKER

- ▶ Press to make or answer a call using the speakerphone.



**CALL BLOCK**

- ▶ During a call, press to mute the microphone.
- ▶ Press to delete digit or character.
- ▶ Press to block the incoming call when the telephone is ringing.
- ▶ When on a call, press to block the call.
- ▶ When the handset is not in use, press to show the call block menu.



## Handset overview

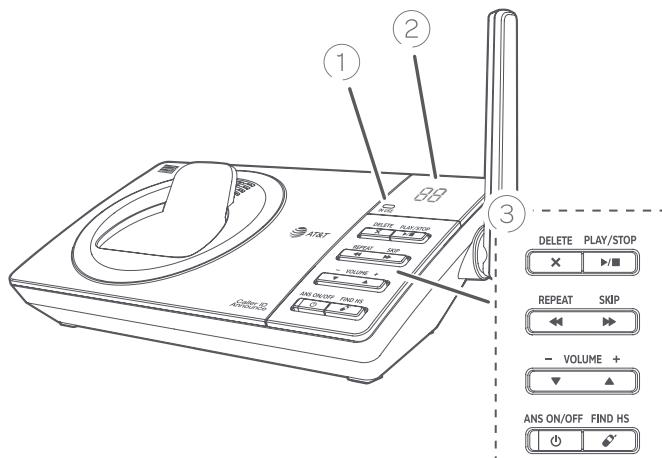


### Handset display

	The battery icon flashes when the battery is low and needs charging.
	The battery icon animates when the battery is charging.
	The battery icon becomes solid when the battery is fully charged.
	The handset speakerphone is in use.
	The handset ringer is turned off.
	There are new voicemail received from the telephone service provider.
<b>ANS ON</b>	The built-in answering system is turned on.
	There are new messages in the built-in answering system.
<b>NEW</b>	The entry you are reviewing is new in the caller ID log.
<b>MUTE</b>	The handset microphone is off.
<b>10:30 AM</b> <b>PM</b>	Time with AM and PM.
<small>MSG #</small> <b>10/16</b>	The message number currently playing and total number of new/old messages recorded.



## Telephone base overview



### Telephone base

- ① **IN USE** indicator
- ▶ On when the telephone is in use.
  - ▶ On when the answering system is answering an incoming call.
  - ▶ Flashes when another telephone is in use on the same line.
- 
- ② **88**  
Message counter
- ▶ Shows the number of messages.
- 
- ③ **X / DELETE**
- ▶ Press to delete the message currently playing.
  - ▶ Press twice to delete all old messages when the telephone is not in use.
- ▶/■/ PLAY/STOP**
- ▶ Press to start message playback.
  - ▶ Press to stop message playback.
- ◀◀/ REPEAT**
- ▶ Press to repeat a message.
  - ▶ Press twice to play the previous message.
- ▶▶/ SKIP**
- ▶ Press to skip a message




# Telephone base overview

## Telephone base

---

- ③ ▼ / **-VOLUME+** / ▲

  - ▶ While in idle mode, press to adjust the base ringer volume.
  - ▶ During message playback, press to adjust the listening volume.
  
- ⏻ / **ANS ON/OFF**

  - ▶ Press to turn the built-in answering system on or off.
  
-  **FIND HS**

  - ▶ While the phone is idle, press to page all handsets.



## Initial basic settings

After you install your telephone or power returns following a power outage, the handset will prompt you to set the date and time. To skip setting the date and time, press **OFF/CANCEL** on the handset.

## Voice guide to set Smart call blocker and answering system

After the date and time setting is done or skipped, the handset then prompts if you want to set Smart call blocker. Press **MENU/SELECT** to start the Smart call blocker setup via voice guide. To skip the setup, press **OFF/CANCEL**.

### Smart call blocker setup via voice guide

You can follow the voice guide to set up Smart call blocker.

#### Using the cordless handset:

- ▶ Press **1** if you want to screen calls with telephone numbers that are not saved in your directory, allow list or star name list;
- ▶ Press **2** if you only want to screen calls that do not display a phone number; or
- ▶ Press **3** if you do not want to screen calls, and want to allow all incoming calls to get through.



Note: You can restart the voice guide to set Smart call blocker by resetting your handset power.

After the Smart call blocker setting is done or skipped, the handset will then prompt if you want to set up the answering system. Press **MENU/SELECT** to start the answering system setup via voice guide. To skip the setup, press **OFF/CANCEL**.

### Basic answering system setup via voice guide

You can follow the voice guide to record your own announcement, set the number of rings and set the message alert tone.

You can also restart the voice guide to set answering system using the cordless handset:

1. **MENU** -> **▼** or **▲** -> **Answering sys** -> **SELECT**.
2. **▼** or **▲** -> **Voice guide** -> **SELECT**.
3. Set up the answering system by inputting the designated numbers, as instructed.

**We recommend you program your telephone system before use.** The following are a few examples of common features to set before using the telephone. Refer to the **Handset settings** and **Answering system settings** in the Complete user's manual for detailed instructions on setting all telephone features.



## Initial basic settings

### Date and time



Note: Set the date/time before using the answering system.

#### Using a cordless handset:

1. **MENU** -> ▼ or ▲ -> **Set date/time** -> **SELECT**.
2. Enter the month (**MM**), day (**DD**) and year (**YY**) using the dialing keys -> **SELECT**.
3. Enter the hour (**HH**) and minute (**MM**) using the dialing keys.
4. ▼ or ▲ to choose **AM** or **PM** -> **SELECT**.

### Record your own announcement

Your outgoing announcement plays when calls are answered by the answering system. You can use the preset announcement to answer calls, or replace it with your own recorded announcement.

#### Using a cordless handset:

1. **MENU** -> ▼ or ▲ -> **Answering sys** -> **SELECT**.
2. **SELECT** to select **Announcement**.
3. **SELECT** to select **Record annnc**.
4. Speak towards the handset to record your announcement and press **5** to end recording and save it.

### Number of rings

You can set the answering system to answer an incoming call after 2, 3, 4, 5, or 6 rings. You can also select toll saver. If you choose toll saver, the answering system answers a call after two rings when you have new messages, and after four rings when there are no new messages. This enables you to check for new messages and avoid paying unnecessary long distance charges if you are calling from out of your local area.

If you want the built-in answering system instead of the voicemail to answer a call, you should set the answering system to answer a call at least two rings before the voicemail is set to answer. Contact your telephone service provider for information on your voicemail settings.

#### Using a cordless handset:

1. **MENU** -> ▼ or ▲ -> **Answering sys** -> **SELECT**.
2. ▼ or ▲ -> **Ans sys setup** -> **SELECT**.
3. ▼ or ▲ -> **# of rings** -> **SELECT**.
4. ▼ or ▲ to choose among **2, 3, 4, 5, 6**, or **Toll saver** -> **SELECT**.





## Initial basic settings

### Ringer volume

You can set the ringer volume level to one of the six levels, or turn the ringer off.

#### Using a cordless handset:

1. **MENU** -> ▼ or ▲ -> **Ringers** -> **SELECT**.
2. **SELECT** to select **Ringer volume**.
3. ▼ or ▲ to choose the desired level -> **SELECT**.

### LCD language

#### Using a cordless handset:

1. **MENU** -> ▼ or ▲ -> **Settings** -> **SELECT**.
2. **SELECT** again to select **LCD language**.
3. ▼ or ▲ to choose **English, Français** or **Español** -> **SELECT**.



Note: If you accidentally change the LCD language to French or Spanish, you can reset it back to English without going through the French or Spanish menus.

- ▶ Press **MENU** on the handset in idle mode -> enter **364#**.

### Voice language



Note: This feature is available in Canada version only.

You can select the voice language (English or French) to be used for the voice prompts in your answering system and caller ID announce.

#### Using a cordless handset:

1. **MENU** -> ▼ or ▲ -> **Settings** -> **SELECT**.
2. ▼ or ▲ to choose **Voice language** -> **SELECT**.
3. ▼ or ▲ to choose **English** or **Français** -> **SELECT**.

### Dial mode

The dial mode is preset to touch-tone dialing. If you have pulse (rotary) service, you need to change the dial mode to pulse dialing before using the telephone to make a call.

1. **MENU** -> ▼ or ▲ -> **Settings** -> **SELECT**.
2. ▼ or ▲ -> **Dial mode** -> **SELECT**.
3. ▼ or ▲ to choose **Touch-tone** or **Pulse** -> **SELECT**.



## Initial basic settings

### Temporary tone dialing

If you have pulse (rotary) service only, you can switch from pulse to touch-tone dialing temporarily during a call. This is useful if you need to send touch-tone signals to access your telephone banking or long distance services.

1. During a call, press **TONE ✕**.
2. Use the dialing keys to enter the number. The telephone sends touch-tone signals. The telephone automatically returns to pulse dialing mode after you end the call.

### Set speed dial voicemail number

If you subscribe to a voicemail service offered by your telephone service provider, you can save the voicemail number to **1** on each handset for easy access. When you want to retrieve voicemail messages, press and hold 1.

1. **MENU** -> **▼** or **▲** -> **Settings** -> **SELECT**.
2. **▼** or **▲** -> **Voicemail #** -> **SELECT**.
3. Enter the voicemail number (up to 30 digits) -> **SELECT** to save.

Note: Contact your telephone service provider for more information and assistance about your voicemail service.



## Operate

Operation	Steps
Make a call	Press <b>PHONE</b> or <b>SPEAKER</b> -> Enter the telephone number.
On-hook dialing (predialing)	Enter the telephone number -> Press <b>PHONE</b> or <b>SPEAKER</b> to call.
Answer a call	Press <b>PHONE</b> or <b>SPEAKER</b> , or press any dialing keys ( <b>0-9</b> , <b>TONE ✕</b> or <b>#</b> ).
End a call	Press <b>OFF</b> or return the handset to the telephone base or charger.
Handset speakerphone	During a call, press <b>SPEAKER</b> to switch between handsfree speakerphone and normal handset use.



## Operate

Operation	Steps
Redial	Press <b>REDIAL</b> repeatedly to select the desired entry -> <b>PHONE</b> or <b>SPEAKER</b> to call.
Volume control	Press <b>▼</b> / <b>VOLUME</b> to decrease or press <b>▲</b> / <b>VOLUME</b> to increase the listening volume during a call.
Call waiting (Requires subscription from telephone service provider)	Press <b>FLASH</b> to put current call on hold and to take the new call; press again to switch back and forth between calls.



## Directory

The directory can store up to 50 entries, which are shared by all system devices.

Operation	Steps
Add an entry	<ol style="list-style-type: none"><li>1. <b>MENU</b> -&gt; <b>▼</b> or <b>▲</b> -&gt; <b>Directory</b> -&gt; <b>SELECT</b>.</li><li>2. <b>▼</b> or <b>▲</b> -&gt; <b>Add contact</b> -&gt; <b>SELECT</b>.</li><li>3. Enter a telephone number up to 30 digits -&gt; <b>SELECT</b>.</li><li>4. Enter a name up to 15 characters -&gt; <b>SELECT</b>.</li></ol>
Search/dial an entry	<ol style="list-style-type: none"><li>1. <b>DIR</b> in idle mode.</li><li>2. Press <b>▼</b> or <b>▲</b> to browse through the directory, or press the dialing keys (<b>0-9</b>) to start a name search.</li><li>3. Press <b>PHONE</b> or <b>SPEAKER</b> on a handset to call.</li></ol>
Save a caller ID log entry to the directory	<ol style="list-style-type: none"><li>1. <b>CID</b> when the handset is not in use -&gt; <b>▼</b> or <b>▲</b> to browse.</li><li>2. When the desired entry displays -&gt; <b>SELECT</b>.</li><li>3. <b>SELECT</b> again to choose <b>Directory</b>.</li><li>4. Edit the telephone number, if needed -&gt; <b>SELECT</b>.</li><li>5. Edit the name, if needed -&gt; <b>SELECT</b>.</li></ol>



Bluetooth®

## Pair a Bluetooth cell phone and download the phonebook

Your telephone system is enhanced with Bluetooth feature. You can download up to 1,000 cell phone phonebook entries to your telephone system via Bluetooth wireless technology. Each downloaded entry is stored in the telephone's phonebook with up to 30 digits for phone number and 15 characters for name.

Bluetooth wireless technology operates within a short range (up to 30 feet). Keep the connected device within 15 feet of the telephone base for optimal performance.



Notes:

- ▶ Your **CL82107/CL82167/CL82207/CL82257/CL82267/CL82307/CL82357/CL82367/CL82407/CL82467/CL82507/CL82547/CL82557** is compatible with Bluetooth version 2.0 or above devices.
- ▶ Before you begin, make sure that you have cellular coverage and your Bluetooth enabled cell phone is not connected to any other Bluetooth device.
- ▶ Make sure you turn on the Bluetooth feature of your cell phone. Refer to your cell phone user's manual to learn how.

### Pair your cell phone and download the phonebook:

1. Place your cell phone next to the telephone base.
2. Press and hold /REPEAT on the base for at least 4 seconds. The base will beep once, then shows **Pb** on the display. It enters pairing mode.
- ▶ After your cell phone finds your AT&T telephone system (**AT&T DECT 6.0**), press the appropriate key on your cell phone to continue the pairing process.
- ▶ Once paired, your cell phone may request for the permission of allowing the telephone system (**AT&T DECT 6.0**) to access your cell's phonebook.
3. Permit the request if you wish to continue.

- ▶ The telephone starts downloading, and the base's display animates.



Note: The process may take around 30 minutes, depending on the number of your cell phone phonebook's entries.



4. When the download completes, the base plays a confirmation tone, and its display returns to idle. The base will disconnect from the cell phone.

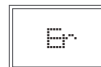


### Cancel the download

- ▶ You can cancel the download by pressing **X/DELETE** on the base.

### Restart the download

When error occurs during downloading, the base plays an error tone with 4 beeps. Its display shows **Er** for 5 seconds, then it returns to idle.



To restart the download:

- ▶ Repeat the process from step 1.



Note: The telephone system will remove any duplicate entries, and any entries that contain unrecognizable symbols; therefore, the number of entries downloaded from your cell phone phonebook may be less than the number of entries stored in your cell phone.

*The Bluetooth® word mark and logos are owned by Bluetooth SIG, Inc. and any use of such marks by Advanced American Telephones and its parent, VTech Holdings Limited, is under license. VTech Holdings Limited is a member of Bluetooth SIG, Inc. Other trademarks and trade names are those of their respective owners.*

## Caller ID

This product supports caller ID services offered by most telephone service providers. The telephone stores caller ID information of the last 50 incoming calls in the telephone base. This information is common to all devices.

### Caller ID announce

When this feature is on and you have an incoming call, the handset and/or base speaks “*Call from...*” and the name of the caller based on the directory or caller ID information. You can turn this feature off for the base or each individual handset, or both.

1. **MENU** -> ▼ or ▲ -> **Settings** -> **SELECT**.
2. ▼ or ▲ -> **Caller ID annnc** -> **SELECT**.
3. ▼ or ▲ to choose **Set all On/Off, Local handset** or **Base** -> **SELECT**.
4. ▼ or ▲ to choose **On** or **Off** -> **SELECT**.

### Review and dial a number in the call log

1. **CID** -> ▼ or ▲ to scroll through the list.
2. **PHONE** or **SPEAKER** to call when the desired entry is displayed.

### Delete a caller ID log entry

1. **CID** -> ▼ or ▲ to scroll through the list.
2. When your desired caller ID entry displays on the handset-> **DELETE**.

### Erase missed calls indicator in the call log

When you have missed calls, the screen shows **XX Missed calls**.

This is the total number of calls you have not yet reviewed in the call log.

To erase this missed call indicator, you can:

- ▶ Scroll and review the call log one by one, or
- ▶ Press and hold **OFF/CANCEL** on the handset when it is not in use.



## Smart call blocker \*§

If you have subscribed to caller ID service, then you can use the Smart call blocker feature to filter incoming calls from unknown callers.

### Turn Smart call blocker on or off

Smart call blocker is set to on, and to allow all incoming calls by default. To turn on or off Smart call blocker:

1. **CALL BLOCK.**
2. **SELECT** to choose **SCB On/Off**.
3. **▼** or **▲** to choose **On** or **Off** -> **SELECT**.



#### Notes:

- ▶ Smart call blocker is on, once you install your telephone. It allows all incoming calls to get through and ring by default. You can change the Smart call blocker settings to screen incoming calls from numbers or names that are not yet saved in your directory, allow list, block list, or star name list. You can easily add incoming phone numbers to your allow list and block list. This allows you to build up your lists of allowed and blocked numbers, and Smart call blocker will know how to deal with these calls when they come in again.
- ▶ If you turn off Smart call blocker, all incoming calls will ring, including numbers saved in your block list.
- ▶ When QUIET mode is on, and Smart call blocker is on and in screening mode, all screened calls will be sent to the answering system after screening.

### Call controls

Call categories		Call control and options
Welcome calls	<ul style="list-style-type: none"> <li>▶ Numbers saved in allow list.</li> <li>▶ Numbers saved in directory.</li> <li>▶ Numbers not found in block list.</li> <li>▶ Caller ID names saved in star name list.</li> </ul>	The telephone allows these calls to get through and ring.
Unwelcome calls	<ul style="list-style-type: none"> <li>▶ Numbers saved in block list.</li> </ul>	The telephone blocks these calls from ringing through.

\* Use of Smart call blocker feature requires subscription of caller ID service.

§ Includes licenced Qaltec™ technology.

Qaltec™ is a trademark of Truecall Group Limited.



# Smart call blocker

Call categories		Call control and options
Unknown calls	Calls without numbers <ul style="list-style-type: none"><li>▶ Numbers that are “out of area” or set to “Private”.</li></ul>	You can choose one of the following five options: <b>Screening with caller name</b> The telephone plays the screening announcement, and then ask the caller to say his/her name before the call rings on your telephone. You can then answer the call, and hear the caller’s name announced. You can decide whether to accept or reject the call, or to forward the call to the answering system. <b>Screening without caller name</b> The telephone plays the screening announcement, and then ask the caller to press the pound key (#) before the call rings on your telephone. You can then answer the call.
	Uncategorized calls <ul style="list-style-type: none"><li>▶ With absent caller ID number.</li><li>▶ Numbers not found in directory.</li><li>▶ Numbers not found in allow list.</li><li>▶ Numbers not found in block list.</li><li>▶ With caller ID names not found in star name list</li></ul>	<b>Allow</b> (default setting) The telephone allows the calls to get through and ring. <b>Answering system</b> The telephone forwards the calls to the answering system without ringing. <b>Block</b> The telephone rejects the calls with block announcement.





## Smart call blocker

### Set up allow list, block list and star name list

#### Add numbers from caller ID log

Add CID log entry to block list	<ol style="list-style-type: none"><li>1. Press ▼ <b>CID</b> on the handset -&gt; ▼ or ▲ .</li><li>2. Press <b>SELECT</b> when the desired entry appears.</li><li>3. ▼ or ▲ -&gt; <b>Block list</b> -&gt; <b>SELECT</b>.</li><li>4. Press <b>SELECT</b> twice to save.</li></ol>
Add CID log entry to allow list	<ol style="list-style-type: none"><li>1. Press ▼ <b>CID</b> on the handset -&gt; ▼ or ▲ .</li><li>2. Press <b>SELECT</b> when the desired entry appears.</li><li>3. ▼ or ▲ -&gt; <b>Allow list</b> -&gt; <b>SELECT</b>.</li><li>4. Press <b>SELECT</b> twice to save.</li></ol>
Add CID log entry to star name list	<ol style="list-style-type: none"><li>1. Press ▼ <b>CID</b> on the handset -&gt; ▼ or ▲ .</li><li>2. Press <b>SELECT</b> when the desired entry appears.</li><li>3. ▼ or ▲ -&gt; <b>Star name list</b> -&gt; <b>SELECT</b> twice.</li></ol>

#### Add numbers manually

Add a new number to the block list	<ol style="list-style-type: none"><li>1. <b>CALL BLOCK</b> -&gt; ▼ or ▲ -&gt; <b>Block list</b> -&gt; <b>SELECT</b>.</li><li>2. ▼ or ▲ -&gt; <b>Add new entry</b> -&gt; <b>SELECT</b>.</li><li>3. Enter a telephone number up to 30 digits -&gt; <b>SELECT</b>.</li><li>4. Enter a name up to 15 characters -&gt; <b>SELECT</b>.</li></ol>
Add a new number to the allow list	<ol style="list-style-type: none"><li>1. <b>CALL BLOCK</b> -&gt; ▼ or ▲ -&gt; <b>Allow list</b> -&gt; <b>SELECT</b>.</li><li>2. ▼ or ▲ -&gt; <b>Add new entry</b> -&gt; <b>SELECT</b>.</li><li>3. Enter a telephone number up to 30 digits -&gt; <b>SELECT</b>.</li><li>4. Enter a name up to 15 characters -&gt; <b>SELECT</b>.</li></ol>
Add a new name to the star name list	<ol style="list-style-type: none"><li>1. <b>CALL BLOCK</b> -&gt; ▼ or ▲ -&gt; <b>Star name list</b> -&gt; <b>SELECT</b>.</li><li>2. ▼ or ▲ -&gt; <b>Add new entry</b> -&gt; <b>SELECT</b>.</li><li>3. Enter a name up to 15 characters -&gt; <b>SELECT</b>.</li></ol>



# Smart call blocker



## Notes

- ▶ The allow list stores up to 200 entries, the block list stores up to 1,000 entries, and the star name list stores up to 10 names.
- ▶ There are many organizations like **schools, medical offices, and pharmacies that use robocalls** to communicate important information to you. Robocall uses an autodialer to deliver pre-recorded messages. By entering the **EXACT** Caller ID (CID)'s name of the organizations into the **Star name list**, it ensures these calls will ring through when you only know the caller names but not their numbers.

## Call block settings

Set call block	Steps
Allow all calls to ring, including numbers on the block list	<b>CALL BLOCK</b> in idle mode -> <b>SELECT</b> -> ▼ or ▲ -> <b>Off</b> -> <b>SELECT</b> .
Screen all unknown calls	<ol style="list-style-type: none"> <li>1. <b>CALL BLOCK</b> -&gt; ▼ or ▲ -&gt; <b>Calls w/o num</b> -&gt; <b>SELECT</b>.</li> <li>2. ▼ or ▲ -&gt; <b>Screening</b> -&gt; <b>SELECT</b>.</li> <li>3. ▼ or ▲ -&gt; <b>w/ Caller name</b> -&gt; <b>SELECT</b>.</li> <li>4. ▼ or ▲ -&gt; <b>Uncategorized</b> -&gt; <b>SELECT</b>.</li> <li>5. ▼ or ▲ -&gt; <b>Screening</b> -&gt; <b>SELECT</b></li> <li>6. ▼ or ▲ -&gt; <b>w/ Caller name</b> -&gt; <b>SELECT</b>.</li> </ol>
Block all unknown calls	<ol style="list-style-type: none"> <li>1. <b>CALL BLOCK</b> -&gt; ▼ or ▲ -&gt; <b>Calls w/o num</b> -&gt; <b>SELECT</b>.</li> <li>2. ▼ or ▲ -&gt; <b>Block</b> -&gt; <b>SELECT</b>.</li> <li>3. ▼ or ▲ -&gt; <b>Uncategorized</b> -&gt; <b>SELECT</b>.</li> <li>4. ▼ or ▲ -&gt; <b>Block</b> -&gt; <b>SELECT</b>.</li> </ol>
Block calls on the block list only (default settings)	<ol style="list-style-type: none"> <li>1. <b>CALL BLOCK</b> -&gt; ▼ or ▲ -&gt; <b>Calls w/o num</b> -&gt; <b>SELECT</b>.</li> <li>2. ▼ or ▲ -&gt; <b>Allow</b> -&gt; <b>SELECT</b>.</li> <li>3. ▼ or ▲ -&gt; <b>Uncategorized</b> -&gt; <b>SELECT</b>.</li> <li>4. ▼ or ▲ -&gt; <b>Allow</b> -&gt; <b>SELECT</b>.</li> </ol>



## Smart call blocker

Forward all unknown calls to the answering system	<ol style="list-style-type: none"><li>1. <b>CALL BLOCK</b> -&gt; ▼ or ▲ -&gt; <b>Calls w/o num</b> -&gt; <b>SELECT</b>.</li><li>2. ▼ or ▲ -&gt; <b>Answering sys</b> -&gt; <b>SELECT</b>.</li><li>3. ▼ or ▲ -&gt; <b>Uncategorized</b> -&gt; <b>SELECT</b>.</li><li>4. ▼ or ▲ -&gt; <b>Answering sys</b> -&gt; <b>SELECT</b>.</li></ol>
Block calls without numbers and send uncategorized calls to the answering system	<ol style="list-style-type: none"><li>1. <b>CALL BLOCK</b> -&gt; ▼ or ▲ -&gt; <b>Calls w/o num</b> -&gt; <b>SELECT</b>.</li><li>2. ▼ or ▲ -&gt; <b>Block</b> -&gt; <b>SELECT</b>.</li><li>3. ▼ or ▲ -&gt; <b>Uncategorized</b> -&gt; <b>SELECT</b>.</li><li>4. ▼ or ▲ -&gt; <b>Answering sys</b> -&gt; <b>SELECT</b>.</li></ol>

## Block the caller while on a call

When you are on a call and speaking to the caller, and you do not want to continue the call, you can end the call with block announcement and add the number to the block list.

1. During a call, press **CALL BLOCK**.
2. Press **SELECT** to end the call.

## Unblock a telephone number

If you have added a telephone number to the block list, you can unblock it.

1. Press **CALL BLOCK**.
2. ▼ or ▲ -> **Block list** -> **SELECT**.
3. Press **SELECT** to select **Review**.
4. ▼ or ▲ to browse through the block entries.
5. When the desired entry displays, press **DELETE**, then press **SELECT** to confirm.

## ⓄⓄ Answering system

### About answering system and voicemail

Your telephone has separate indicators for two different types of voice messages: those left on the built-in answering system and those left at your telephone service provider's voicemail. To listen to messages recorded on the built-in answering system, refer to the **Message playback** section; to listen to voicemail, contact your telephone service provider for more information.

	<b>Built-in answering system</b> ▶/■	<b>Voicemail service</b> ✉
Supported by	Telephone system	Telephone service provider
Subscription	No	Yes
Fees	No	May apply
Answer incoming calls	<ul style="list-style-type: none"> <li>▶ After 4 rings by default.</li> <li>▶ It can be changed in the handset or the telephone base menu.</li> </ul>	<ul style="list-style-type: none"> <li>▶ Usually after 2 rings.</li> <li>▶ It can be changed by contacting your telephone service provider.</li> </ul>
Storage	Telephone base	Server or System
Display new messages	<ul style="list-style-type: none"> <li>▶ Handset and telephone base - <b>XX New messages</b></li> </ul>	<ul style="list-style-type: none"> <li>▶ Handset and telephone base - ✉ and <b>New voicemail</b></li> </ul>
Retrieve messages	<ul style="list-style-type: none"> <li>▶ Press ▶/■ on the telephone base; OR</li> <li>▶ Press <b>MENU</b>, and then select <b>Play messages</b> on the handset; OR</li> <li>▶ Access remotely with an access code.</li> </ul>	<ul style="list-style-type: none"> <li>▶ <u>Press and hold</u> ✉ on the dialpad, and enter an access number from your telephone service provider; OR</li> <li>▶ <u>Press and hold</u> ✉ to dial if you have saved the access number.</li> </ul>

## ☉☉ Answering system

### Turn answering system on or off

The answering system must be turned on to answer and record messages.

1. **MENU** -> ▼ or ▲ -> **Answering sys** -> **SELECT**.
2. ▼ or ▲ -> **Answer ON/OFF** -> **SELECT**.
3. ▼ or ▲ to choose **On** or **Off**-> **SELECT**.

When the answering system is on, the handset shows **ANS ON**.

### Message alert tone

When this feature is on, and there is at least one new message, the telephone base beeps every 10 seconds.

1. **MENU** -> ▼ or ▲ -> **Answering sys** -> **SELECT**.
2. ▼ or ▲ -> **Ans sys setup** -> **SELECT**.
3. ▼ or ▲ -> **Msg alert tone** -> **SELECT**.
4. ▼ or ▲ to choose **On** or **Off** -> **SELECT**.

### Call screening

Use this feature to choose whether incoming messages can be heard over at telephone base when they are being recorded. If you turn call screening on, you hear the incoming message at the telephone base. While monitoring an incoming message, you can answer the call by pressing **PHONE** on the handset.

1. **MENU** -> ▼ or ▲ -> **Answering sys** -> **SELECT**.
2. ▼ or ▲ -> **Ans sys setup** -> **SELECT**.
3. **SELECT** to select **Call screening**.
4. ▼ or ▲ to choose **On** or **Off** -> **SELECT**.

# Answering system

## Message playback

Using the telephone base

- ▶ Press **▶/■/PLAY** when the telephone base is in idle mode.

Using a handset

- ▶ Press **MENU** twice when the handset is in idle mode.

Options during playback

Feature	On the telephone base	On a handset
Adjust playback to volume	Press <b>▼ /-VOLUME+ / ▲</b>	Press <b>▼ /-VOLUME+ / ▲</b>
Stop playback	Press <b>▶/■/STOP</b>	Press <b>5/ CANCEL</b>
Skip to the next message	Press <b>▶▶/SKIP</b>	Press <b>6</b>
Repeat the message	Press <b>◀◀/REPEAT</b>	Press <b>4</b>
Play the previous message	Press <b>◀◀/REPEAT</b> twice	Press <b>4</b> twice
Delete the message	Press <b>X/DELETE</b>	Press <b>DELETE</b>

# For C-UL compliance

In compliance with the bilingual requirements for safety, caution, and warning markings of Canadian Federal and Provincial/Territorial statutes and regulations, the French version of Important safety information is included.

## Mesures de sécurité importantes

---



Ce symbole vous alertera d'informations importantes ou d'instructions d'entretien pouvant apparaître dans ce guide d'utilisation. Respectez toujours les mesures de sécurité et de sécurité de base lorsque vous utilisez ce produit, afin de réduire les risques de blessures, d'incendie, ou d'électrocution.

## Information relative à la sécurité

---

- ▶ Veuillez lire et comprendre toutes les instructions de ce guide d'utilisation. Relectez toutes les inscriptions apparaissant sur le produit.
- ▶ Évitez d'utiliser le téléphone pendant un orage. Il pourrait y avoir un faible risque d'électrocution.
- ▶ N'utilisez pas un téléphone près d'une fuite de gaz. Dans certaines circonstances, une flammèche pourrait se produire lorsque l'adaptateur est branché à une prise de courant, ou lorsque le combiné est déposé sur son chargeur. Ceci est un événement fréquent associé avec la fermeture d'un circuit électrique. L'utilisateur ne devrait pas brancher un téléphone dans une prise de courant, et ne devrait pas déposer un combiné chargé dans le chargeur, si le téléphone se trouve dans un environnement comportant une concentration de gaz inflammables ou ignifuges, à moins de se trouver dans un endroit où la ventilation est adéquate. Une flammèche dans de tels environnements pourrait provoquer une explosion. De tels environnements peuvent comprendre : les endroits où de l'oxygène à des fins médicales est utilisé sans ventilation adéquate; des endroits où se trouvent des gaz industriels (dissolvants de nettoyage, des vapeurs de gazoline, etc.), une fuite de gaz naturel, etc.
- ▶ N'utilisez pas ce produit près de l'eau ou lorsque vous êtes mouillés. Par exemple, ne l'utilisez pas dans des sous-sols humides ou sous la douche, ou près d'une piscine, d'un bain, d'un évier de cuisine, ou d'une cuve de lavage. N'utilisez pas de liquides, ou de vaporisateurs aérosol de nettoyage. Si le produit entre en contact avec du liquide, débranchez immédiatement le fil téléphonique ou le cordon d'alimentation. Ne rebranchez pas le produit avant qu'il soit complètement sec.
- ▶ Installez cet appareil dans un endroit protégé où personne ne peut trébucher sur les cordons d'alimentation ou la ligne téléphonique. Protégez les câbles contre les dommages ou l'abrasion.
- ▶ Si le produit ne fonctionne pas correctement, consultez la section **Dépannage (Troubleshooting)** du guide d'utilisation. Si vous ne pouvez pas régler le problème, ou si le produit est endommagé, consultez la section **Garantie limitée (Limited warranty)** des pages 35-37. N'ouvrez pas ce produit, sauf tel qu'indiqué dans le guide d'utilisation. L'ouverture du produit ou le remontage inadéquat pourrait vous exposer à des tensions dangereuses ou autres dangers.

## For C-UL compliance

- ▶ Remplacez les piles uniquement tel que décrit dans votre guide d'utilisation (Page 6). N'incinérez pas et ne percez pas les piles — elles contiennent des produits chimiques caustiques.
- ▶ L'adaptateur de courant est conçu pour être orienté verticalement ou installé sur le plancher. Les broches ne sont pas conçues pour se maintenir en place si la fiche est branchée dans une prise de courant au plafond, sous la table ou sous une armoire.
- ▶ Pour les produits à brancher à une prise de courant, la prise de courant doit être installée près du produit, afin d'assurer une accessibilité sécuritaire à la prise de courant.



### MISES EN GARDE:

- ▶ N'utilisez seulement l'adaptateur inclus avec ce produit. Pour obtenir une pièce de rechange, visitez notre site Web au **<https://telephones.att.com>** ou composez le **1-800-222-3111**. Au Canada, composez le **1-866-288-4268**.



**ATTENTION:** Afin de prévenir les risques d'incendie ou d'explosion de la pile, remplacez la pile avec une pile du même type. Jetez les piles épuisées en respectant les instructions.

- ▶ Débrancher les lignes téléphoniques avant le remplacement des piles.

Évitez d'utiliser la batterie dans les conditions suivantes:

- ▶ des températures extrêmes faibles ou élevées auxquelles une batterie peut être soumise pendant l'utilisation, le stockage ou le transport.
- ▶ remplacement d'une batterie par un type incorrect pouvant supprimer une protection.
- ▶ mise au rebut d'une batterie dans un feu ou dans un four chaud, ou écrasement mécanique ou coupure d'une batterie, susceptible de provoquer une explosion.
- ▶ maintien d'une batterie dans un environnement à très haute température pouvant provoquer une explosion ou la fuite de liquide ou de gaz inflammables.
- ▶ batterie soumise à une pression de l'air extrêmement faible pouvant provoquer une explosion ou la fuite de liquide ou de gaz inflammables.
- ▶ N'utilisez que la pile de rechargeable incluse ou une pile de rechange (modèle BT183342/BT283342). Pour commander, visitez notre site Web **<https://telephones.att.com>** ou composez le **1-800-222-3111**. Au Canada, composez le **1-866-288-4268**.
- ▶ La plaque signalétique appliquée est située au bas ou à proximité du produit.



# For C-UL compliance

## Spécifiquement en rapport avec les téléphones sans fil

---

- ▶ Confidentialité : Les mêmes caractéristiques qui rendent les téléphones sans fil si pratiques créent également des restrictions. Les appels téléphoniques sont transmis entre le socle du téléphone et le combiné par le biais d'ondes radio, et il se peut que vos conversations téléphoniques soient interceptées par d'autres équipements de réception d'ondes radio au sein de la portée du téléphone sans fil. Pour cette raison, vous ne devez pas considérer les conversations sur un téléphone sans fil comme étant aussi confidentielles que celles d'un téléphone à cordon.
- ▶ Alimentation électrique : La base de ce téléphone sans fil doit être branchée à une prise de courant électrique fonctionnelle. La prise électrique ne doit pas être contrôlée par un interrupteur mural. Les appels ne peuvent pas être effectués à partir du combiné si la base n'est pas branchée, si elle est hors fonction ou si le courant électrique est coupé.
- ▶ Interférences potentielles aux téléviseurs : Certains téléphones sans fil fonctionnent sur des fréquences pouvant causer des interférences aux téléviseurs et magnétoscopes. Pour réduire ou prévenir de tels parasites, ne pas déposer la base du téléphone sans fil à proximité d'un téléviseur ou magnétoscope, ni directement sur celui-ci. Si votre téléviseur affiche des interférences, éloignez le téléphone sans fil de celui-ci afin de réduire les parasites.
- ▶ Piles rechargeables : Ce produit comporte des piles rechargeables à l'hydrure métallique de nickel. Utilisez de prudence lorsque vous manipulez de telles piles et veillez à ne pas les court-circuiter avec des matériaux conducteurs, tels que des bagues, bracelets et clés. La pile ou le conducteur peut surchauffer et vous brûler. Respectez la polarité adéquate entre les piles et le chargeur de piles.
- ▶ Piles rechargeables à l'hydrure métallique de nickel : Jetez ces piles de manière sécuritaire. N'incinerez pas et ne percez pas les piles. Comme pour les autres piles du même type, si elles sont brûlées ou percées, des matières corrosives peuvent s'en échapper, ce qui risque de causer des brûlures ou autres blessures corporelles.



Le sceau de l'organisme de recyclage RBRC sur les piles à l'hydrure métallique de nickel signifie que le fabricant de cet appareil participe volontairement au programme industriel visant à reprendre et recycler ce type de piles lorsqu'elles ne servent plus, au sein du territoire des États-Unis et du Canada. Vous devez apporter ces piles chez un détaillant participant ou le centre de recyclage le plus près de chez vous. Ou vous pouvez composer le 1-800-8-BATTERY<sup>MD</sup> afin de connaître les endroits qui acceptent les piles à l'hydrure métallique de nickel mortes.

RBRC Seal et 1-800-8-BATTERY<sup>MD</sup> sont des marques déposées de Call2recycle, Inc.

# For C-UL compliance

## **Mesures préventives pour les utilisateurs de stimulateurs cardiaques implantés dans l'organisme**

---

Stimulateurs cardiaques (ne s'applique qu'aux téléphones sans fil numériques) :

L'organisme 'Wireless Technology Research, LLC (WTR)', une firme de recherche indépendante, a mené une évaluation pluridisciplinaire des interférences entre les téléphones sans fil portatifs et les stimulateurs cardiaques implantés dans l'organisme. Appuyée par l'Administration des aliments et drogues (FDA) des États-unis, la firme WTR recommande aux médecins :

### **Avis aux détenteurs de stimulateurs cardiaques:**

- ▶ Ils doivent tenir le téléphone sans fil à une distance d'au moins six pouces du stimulateur cardiaque.
- ▶ Ils ne doivent PAS placer le téléphone sans fil directement sur le stimulateur cardiaque, tel que dans une poche de chemise, lorsque celui-ci est en fonction.
- ▶ Ils doivent utiliser le téléphone sans fil en l'appuyant sur l'oreille qui se trouve dans la direction opposée au stimulateur cardiaque.

L'étude effectuée par l'organisme WRS n'a pas identifié de risque pour les détenteurs de stimulateurs cardiaques causé par les gens qui utilisent un téléphone sans fil à proximité de ceux-ci.

### **Mode ECO**

---

Lorsque le socle communique avec le combiné, le mode ECO sera activé automatiquement. Ceci réduit la consommation d'énergie selon la distance entre le socle du téléphone et le combiné.

### **Spécifiquement en rapport avec les répondeurs téléphoniques**

---

Enregistrement deux voies : Cet appareil n'émet pas de bips d'avertissement qui permettent de prévenir l'autre partie que vous enregistrez la conversation. Pour assurer votre conformité aux règlements fédéraux ou provinciaux en rapport avec les enregistrements des conversations téléphoniques, vous devriez informer l'autre partie lorsque vous activez l'enregistrement.

## **CONSERVEZ CES INSTRUCTIONS**

# FCC Part 68 and ACTA

This equipment complies with Part 68 of the FCC rules and with technical requirements adopted by the Administrative Council for Terminal Attachments (ACTA). The label on the back or bottom of this equipment contains, among other things, a product identifier in the format US:AAAEQ##TXXXX. This identifier must be provided to your telephone service provider upon request.

The plug and jack used to connect this equipment to premises wiring and the telephone network must comply with the applicable Part 68 rules and technical requirements adopted by ACTA. A compliant telephone cord and modular plug is provided with this product. It is designed to be connected to a compatible modular jack that is also compliant. An RJ11 jack should normally be used for connecting to a single line and an RJ14 jack for two lines. See the installation instructions in the user's manual.

The Ringer Equivalence Number (REN) is used to determine how many devices you may connect to your telephone line and still have them ring when you are called. The REN for this product is encoded as the 6th and 7th characters following the US: in the product identifier (e.g., if ## is 03, the REN is 0.3). In most, but not all areas, the sum of all RENs should be five (5.0) or less. For more information, please contact your telephone service provider.

This equipment must not be used with Party Lines. If you have specially wired alarm dialing equipment connected to your telephone line, ensure the connection of this equipment does not disable your alarm equipment. If you have questions about what will disable the alarm equipment, consult your telephone service provider or a qualified installer.

If this equipment is malfunctioning, it must be unplugged from the modular jack until the problem has been corrected. Replacement to this telephone equipment can only be made by the manufacturer or its authorized agents. For replacement procedures, follow the instructions outlined under the Limited warranty.

If this equipment is causing harm to the telephone network, the telephone service provider may temporarily discontinue your telephone service. The telephone service provider is required to notify you before interrupting service. If advance notice is not practical, you will be notified as soon as possible. You will be given the opportunity to correct the problem and the telephone service provider is required to inform you of your right to file a complaint with the FCC. Your telephone service provider may make changes in its facilities, equipment, operation, or procedures that could affect the proper functioning of this product. The telephone service provider is required to notify you if such changes are planned.

If this product is equipped with a corded or cordless handset, it is hearing aid compatible.

If this product has memory dialing locations, you may choose to store emergency telephone numbers (e.g., police, fire, medical) in these locations. If you do store or test emergency numbers, please:

- ▶ Remain on the line and briefly explain the reason for the call before hanging up.
- ▶ Perform such activities in off-peak hours, such as early morning or late evening.

## Industry Canada

This device contains licence-exempt transmitter(s)/receiver(s) that comply with Innovation, Science and Economic Development Canada's licence-exempt RSS(s). Operation is subject to the following two conditions:

- (1) This device may not cause interference.
- (2) This device must accept any interference, including interference that may cause undesired operation of the device.

Privacy of communications may not be ensured when using this telephone.

The term "IC:" before the certification/registration number only signifies that the Industry Canada technical specifications were met.

The Ringer Equivalence Number (REN) for this terminal equipment is 0.1. The REN indicates the maximum number of devices allowed to be connected to a telephone interface. The termination of an interface may consist of any combination of devices subject only to the requirement that the sum of the RENs of all the devices not exceed five.

This product meets the applicable Innovation, Science and Economic Development Canada technical specifications.

## FCC Part 15

NOTE: This equipment has been tested and found to comply with the requirements for a Class B digital device under Part 15 of the Federal Communications Commission (FCC) rules. These requirements are intended to provide reasonable protection against harmful interference in a residential installation. This equipment generates, uses and can radiate radio frequency energy and, if not installed and used in accordance with the instructions, may cause harmful interference to radio communications. However, there is no guarantee that interference will not occur in a particular installation. If this equipment does cause harmful interference to radio or television reception, which can be determined by turning the equipment off and on, the user is encouraged to try to correct the interference by one or more of the following measures:

- ▶ Reorient or relocate the receiving antenna.
- ▶ Increase the separation between the equipment and receiver.
- ▶ Connect the equipment into an outlet on a circuit different from that to which the receiver is connected.
- ▶ Consult the dealer or an experienced radio/TV technician for help.

WARNING: Changes or modifications to this equipment not expressly approved by the party responsible for compliance could void the user's authority to operate the equipment.

This device complies with Part 15 of the FCC Rules. Operation is subject to the following two conditions: (1) this device may not cause harmful interference, and (2) this device must accept any interference received, including interference that may cause undesired operation. Privacy of communications may not be ensured when using this telephone.

To ensure safety of users, the FCC/ISED has established criteria for the amount of radio frequency energy that can be safely absorbed by a user or bystander according to the intended usage of the product. This product has been tested and found to comply with the FCC/ISED criteria. The handset may be safely held against the ear of the user. The telephone base shall be installed and used such that parts of the user's body other than the hands are maintained at a distance of approximately 20 cm (8 inches) or more.

This Class B digital apparatus complies with Canadian requirement:  
CAN ICES-3 (B)/NMB-3(B)

## Limited warranty

The AT&T brands are used under license. This product is covered by a one-year limited warranty. Any replacement or warranty service, and all questions about this product, should be directed to our website at

<https://telephones.att.com> or call **1 (800) 222-3111**. In Canada, dial **1 (866) 288-4268**.

### 1. What does this limited warranty cover?

The manufacturer of this AT&T Product, Advanced American Telephones, warrants to the holder of a valid proof of purchase ("Consumer" or "you") that the Product and all accessories provided by Advanced American Telephones in the sales package ("Product") are free from material defects in material and workmanship, pursuant to the following terms and conditions, when installed and used normally and in accordance with operation instructions. This limited warranty extends only to the Consumer for Products purchased and used in the United States of America and Canada.

### 2. What will Advanced American Telephones do if the Product is not free from material defects in materials and workmanship during the limited warranty period ("Materially Defective Product")?

During the limited warranty period, Advanced American Telephones' authorized service representative will replace, at Advanced American Telephones' option, without charge, a Materially Defective Product. If we choose to replace this Product, we may replace it with a new or refurbished Product of the same or similar design. Advanced American Telephones will return replacement Products to you in working condition.

Advanced American Telephones will retain defective parts, modules, or equipment. Replacement of Product, at Advanced American Telephones' option, is your exclusive remedy. You should expect the replacement to take approximately 30 days.

### 3. How long is the limited warranty period?

The limited warranty period for SynJ® and Syn248® products is TWO (2) YEARS from the date of purchase, while all other products limited warranty period is ONE (1) YEAR from the date of purchase. If we replace a Materially Defective Product under the terms of this limited warranty, this limited warranty also applies to replacement Products for a period of either (a) 90 days from the date the replacement Product is shipped to you or (b) the time remaining on the original one-year limited warranty, whichever is longer.

### 4. What is not covered by this limited warranty?

This limited warranty does not cover:

- ▶ Product that has been subjected to misuse, accident, shipping or other physical damage, improper installation, abnormal operation or handling, neglect, inundation, fire, water or other liquid intrusion; or
- ▶ Product that has been damaged due to repair, alteration or modification by anyone other than an authorized service representative of Advanced American Telephones; or
- ▶ Product to the extent that the problem experienced is caused by signal conditions, network reliability or cable or antenna systems; or
- ▶ Product to the extent that the problem is caused by use with non-Advanced American Telephones electrical accessories; or
- ▶ Product whose warranty/quality stickers, Product serial numbers plates or electronic serial numbers have been removed, altered or rendered illegible; or
- ▶ Product purchased, used, serviced, or shipped for repair from outside the United States, or used for commercial or institutional purposes (including but not limited to Products used for rental purposes); or
- ▶ Product returned without valid proof of purchase (see 2 below); or
- ▶ Charges for installation or set up, adjustment of customer controls, and installation or repair of systems outside the unit.

### 5. How do you get warranty service?

To obtain warranty service in the United States of America, visit

**<https://telephones.att.com>** or call **1 (800) 222-3111**. In Canada, dial **1 (866) 288-4268**.

NOTE: Before calling for service, please check the user's manual. A check of the Product controls and features may save you a service call.

Except as provided by applicable law, you assume the risk of loss or damage during transit and transportation and are responsible for delivery or handling charges incurred in the transport of Product(s) to the service location. Advanced American Telephones will return replaced Product under this limited warranty to you, transportation, delivery or handling charges prepaid. Advanced American Telephones assumes no risk for damage or loss of the Product in transit.

## 6. What must you return with the PRODUCT to get warranty service?

1. Return the entire original package and contents including the Product to the Advanced American Telephones service location along with a description of the malfunction or difficulty;
2. Include “valid proof of purchase” (sales receipt) identifying the Product purchased (Product model) and the date of purchase or receipt; and
3. Provide your name, complete and correct mailing address and telephone number.

## 7. Other limitations

This warranty is the complete and exclusive agreement between you and Advanced American Telephones. It supersedes all other written or oral communications related to this Product. Advanced American Telephones provides no other warranties for this Product. The warranty exclusively describes all of Advanced American Telephones’ responsibilities regarding the Product. There are no other express warranties. No one is authorized to make modifications to this limited warranty and you should not rely on any such modification.


**State/Provincial Law Rights:** This warranty gives you specific legal rights, and you may also have other rights which vary from state to state.

**Limitations:** Implied warranties, including those of fitness for a particular purpose and merchantability (an unwritten warranty that the Product is fit for ordinary use) are limited to one year from date of purchase. Some states/provinces do not allow limitations on how long an implied warranty lasts, so the above limitation may not apply to you.

In no event shall Advanced American Telephones be liable for any indirect, special, incidental, consequential, or similar damages (including, but not limited to lost profits or revenue, inability to use the Product, or other associated equipment, the cost of substitute equipment, and claims by third parties) resulting from the use of this Product. Some states/provinces do not allow the exclusion or limitation of incidental or consequential damages, so the above limitation or exclusion may not apply to you.

**Please retain your original sales receipt as proof of purchase.**

# Technical specifications

RF frequency band	1921.536MHz - 1928.448MHz	
Channels	5	
	Telephone base voltage (AC adapter output)	6VDC @ 0.4A Max. PS1 or LPS
	Charger voltage (AC adapter output)	6VDC @ 0.4A Max. PS1 or LPS
Handset battery	2.4V Ni-MH battery	
Operating times*	Talk time (handset): up to 7 hours Standby: up to 5 days	

\* Operating times vary depending on your actual use and the age of the battery.

Company: Advanced American Telephones

Address: 9020 SW Washington Square Road - Ste 555 Tigard, OR 97223, United States.

Phone: 1 (800) 222-3111 in the U.S. or 1 (866) 288-4268 in Canada



Telephones identified with this logo have reduced noise and interference when used with most T-coil equipped hearing aids and cochlear implants. The TIA-1083 Compliant Logo is a trademark of the Telecommunications Industry Association. Used under license.



The ENERGY STAR® program ([www.energystar.gov](http://www.energystar.gov)) recognizes and encourages the use of products that save energy and help protect our environment. We are proud to supply this product with an ENERGY STAR® qualified power adapter meeting the latest energy efficiency guidelines.

The Bluetooth® word mark and logos are owned by Bluetooth SIG, Inc. and any use of such marks by Advanced American Telephones and its parent, VTech Holdings Limited, is under license. VTech Holdings Limited is a member of Bluetooth SIG, Inc. Other trademarks and trade names are those of their respective owners.

©2017-2023 Advanced American Telephones. All Rights Reserved.

AT&T and the AT&T logo are trademarks of AT&T Intellectual Property licensed to Advanced American Telephones, San Antonio, TX 78219.

Qaltel™ is a trademark of Truecall Group Limited.

SynJ® and Syn248® are trademarks of Advanced American Telephones.

The RBRC Seal and 1-800-8-BATTERY® are registered trademarks of Call2recycle, Inc.

Printed in China. Issue 10.0 AT&T 03/23.

Product code: DCX;CI/BT