

**Model: CL82207 BS BT ANT**

**Antenna description:**

This Printed F Antenna is optimized and used in the Base unit. This antenna is directly soldered to the BT ANT RF output in the main PCB.

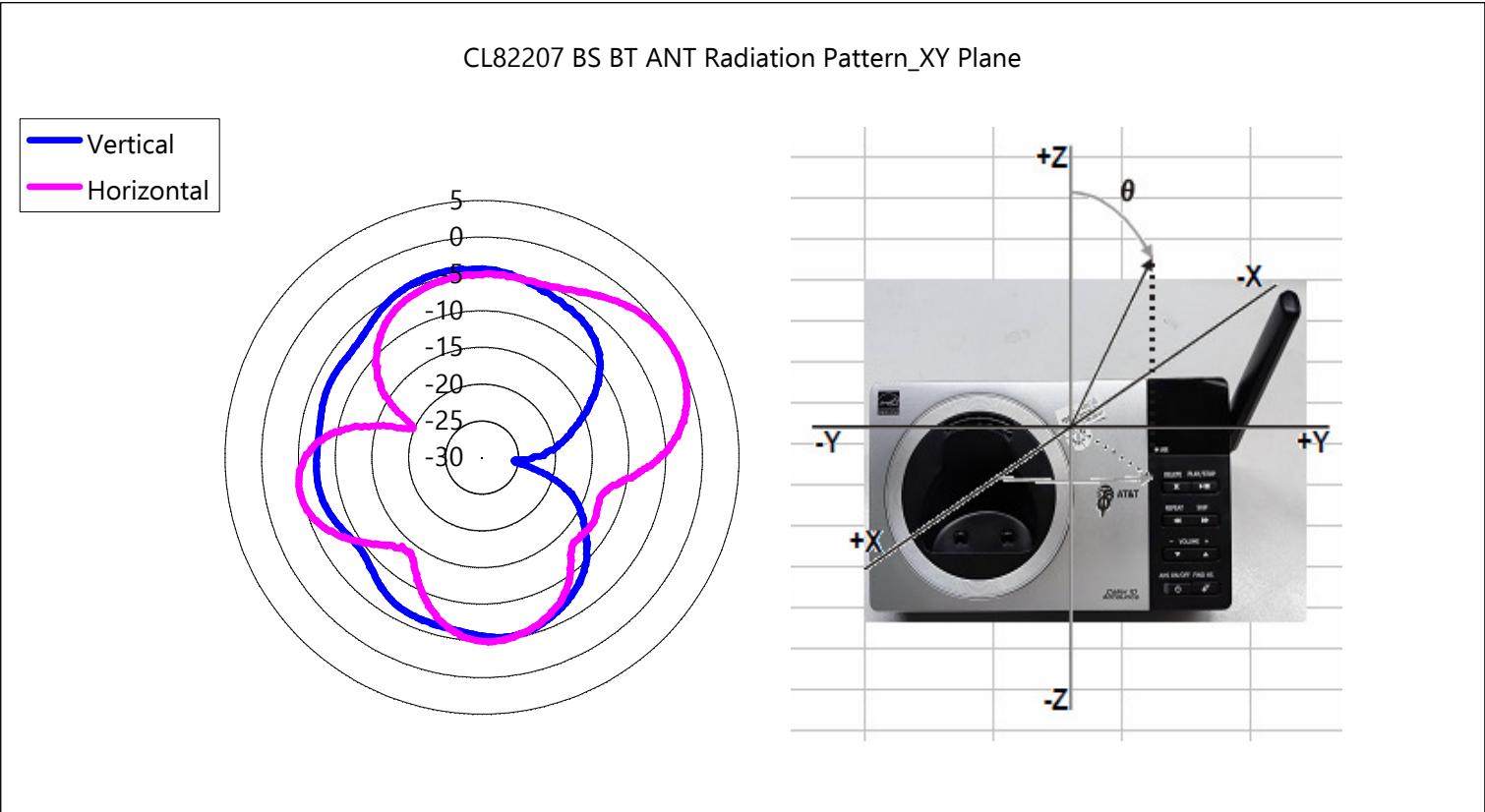
Model Number	Description
CL82207 Base BT ANT	2.4GHZ Printed F Antenna

**Specification:**

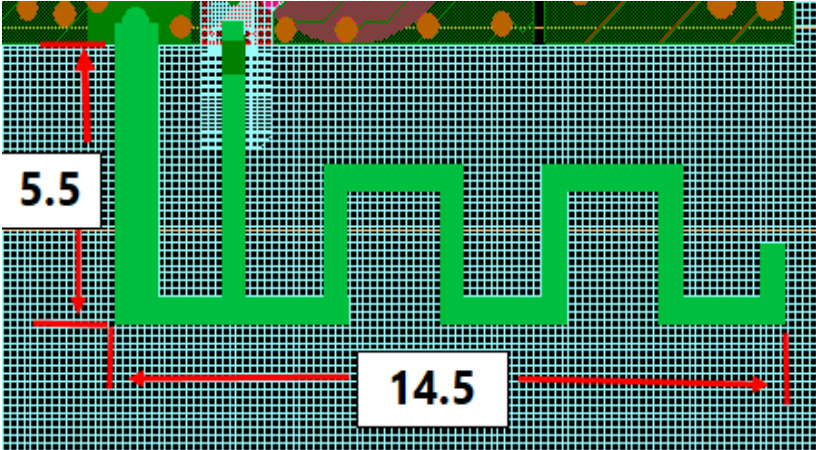
<b>Operation Frequency Range</b>	2402 to 2480 MHZ
<b>Maximum Gain</b>	0 dBi
<b>Type</b>	Printed F Antenna
<b>Operation bandwidth</b>	70MHz
<b>Nominal Impedance</b>	~50 ohms
<b>Manufacturer</b>	Vtech Telecommunications Ltd
<b>Manufacturer address</b>	23/F, Tai Ping Industrial Centre, Blk1, 57 Ting Kok Road, Tai Po, Hong Kong
<b>Model number</b>	ANT-CL82207-F-BT-0

Frequency: 2480 MHZ (the frequency with maximum gain)

	Vertical	Horizontal
Antenna Gain (dBi)	-4.16	0.00



CL82207 BS BT Antenna Dimensions in mm



**Model: CL82207 BS ANT0**

**Antenna description:**

This monopole antenna is optimized and used in the Base unit. This antenna is directly soldered to the ANT0 RF output in the main PCB.

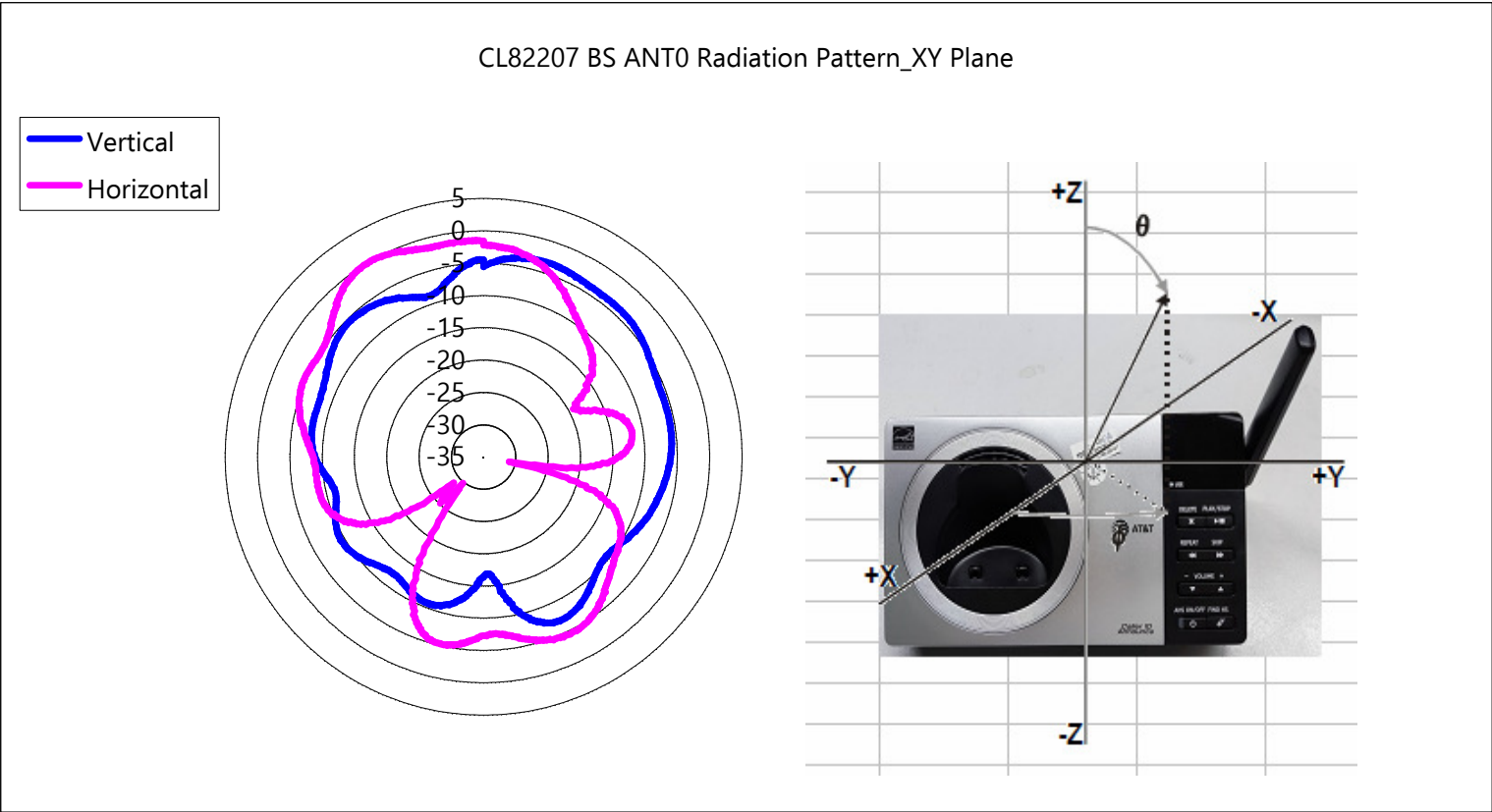
Model Number	Description
CL82207 Base ANT0	1.9GHZ Monopole Antenna

**Specification:**

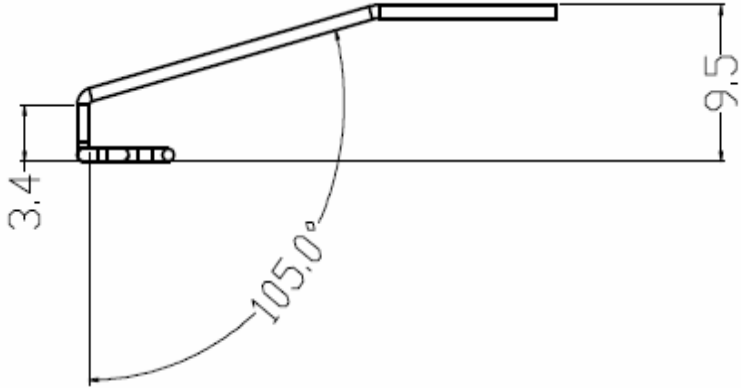
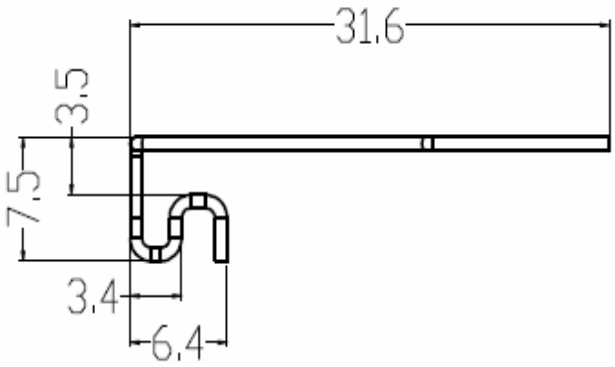
<b>Operation Frequency Range</b>	1921.536 to 1928.448 MHZ
<b>Maximum Gain</b>	0 dBi
<b>Type</b>	Monopole
<b>Operation bandwidth</b>	70MHz
<b>Nominal Impedance</b>	~50 ohms
<b>Manufacturer</b>	Vtech Telecommunications Ltd
<b>Manufacturer address</b>	23/F, Tai Ping Industrial Centre, Blk1, 57 Ting Kok Road, Tai Po, Hong Kong
<b>Model number</b>	ANT-CL82207-F-DE-0

Frequency: 1924.992 MHz (the frequency with maximum gain)

	Vertical	Horizontal
Antenna Gain (dBi)	-3.30	0.00



**CL82207 BS ANT0 Dimensions in mm:**



**Model: CL82207 BS ANT2**

**Antenna description:**

This monopole antenna is optimized and used in the Base unit. This antenna is directly soldered to the ANT2 RF output in the main PCB.

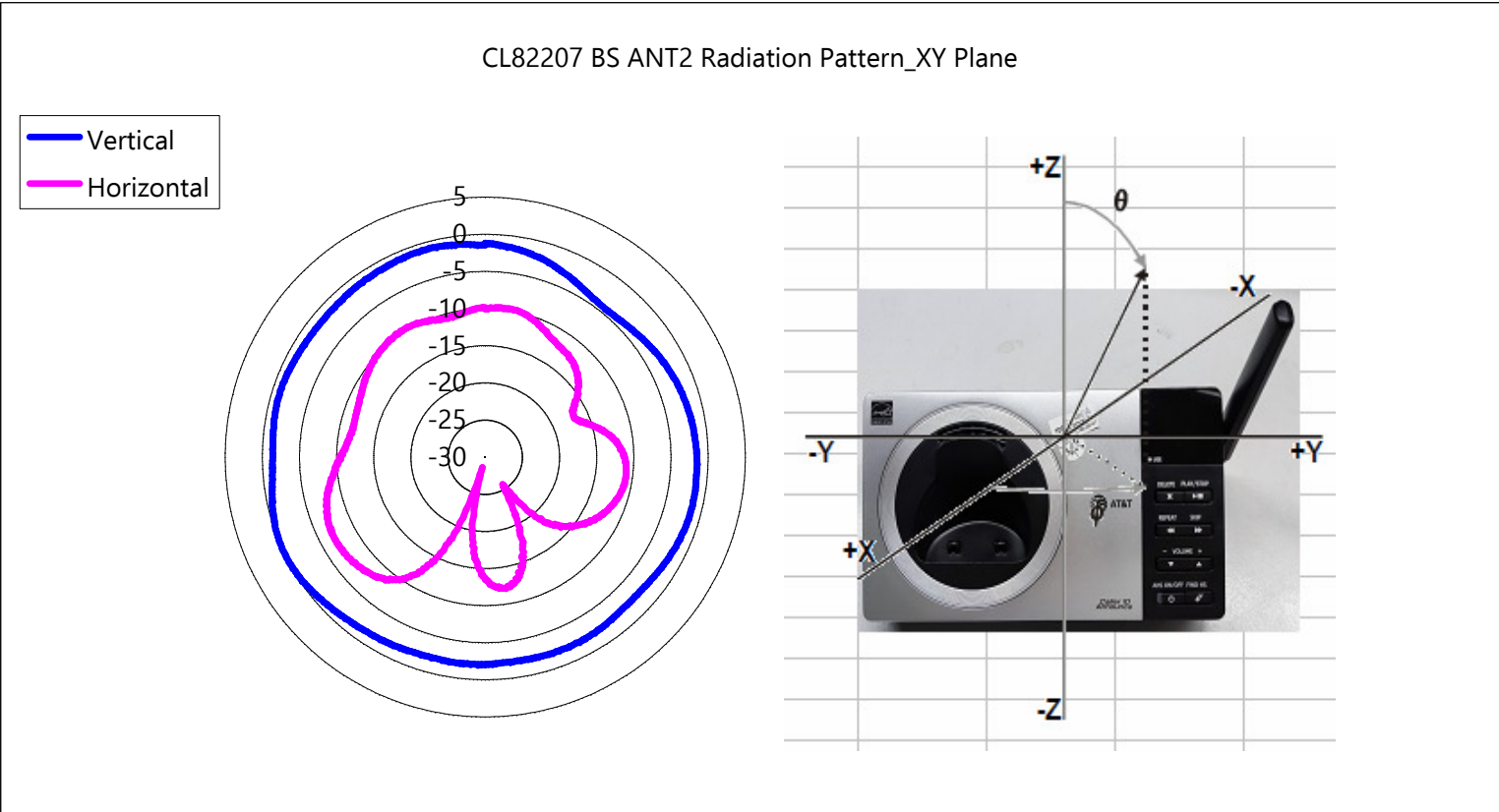
Model Number	Description
CL82207 Base ANT2	1.9GHZ Sleeve Dipole Antenna

**Specification:**

<b>Operation Frequency Range</b>	1921.536 to 1928.448 MHZ
<b>Maximum Gain</b>	0 dBi
<b>Type</b>	Sleeve Dipole Antenna
<b>Operation bandwidth</b>	70MHz
<b>Nominal Impedance</b>	~50 ohms
<b>Manufacturer</b>	Vtech Telecommunications Ltd
<b>Manufacturer address</b>	23/F, Tai Ping Industrial Centre, Blk1, 57 Ting Kok Road, Tai Po, Hong Kong
<b>Model number</b>	ANT-CL82207-F-DE-2

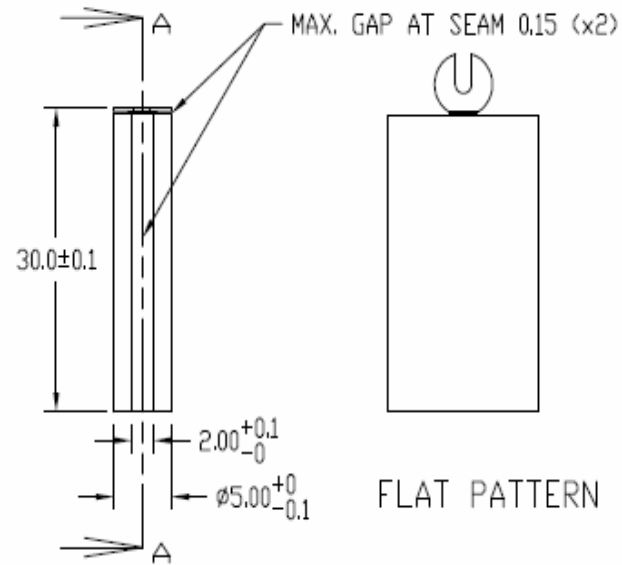
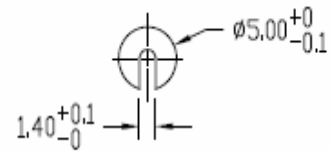
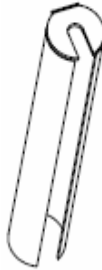
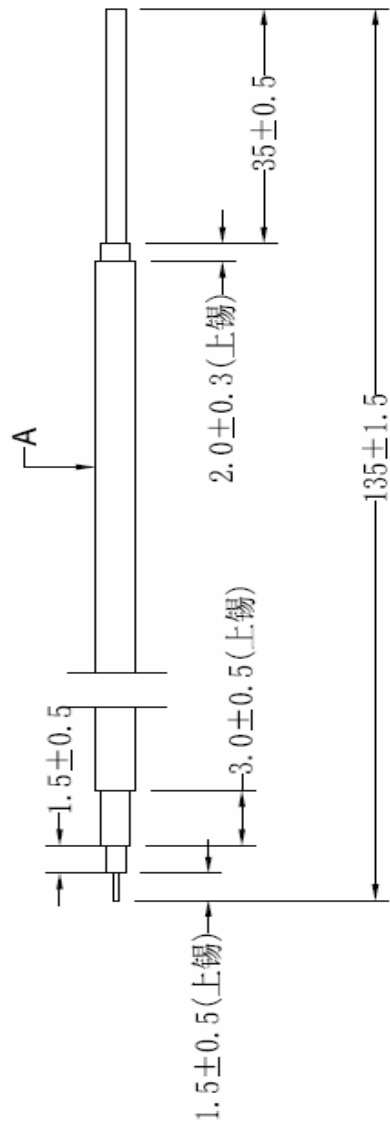
Frequency: 1924.992 MHz (the frequency with maximum gain)

	Vertical	Horizontal
Antenna Gain (dBi)	0.00	-6.91





**CL82207 BS ANT2 Dimensions in mm**



SECTION A-A

FLAT PATTERN