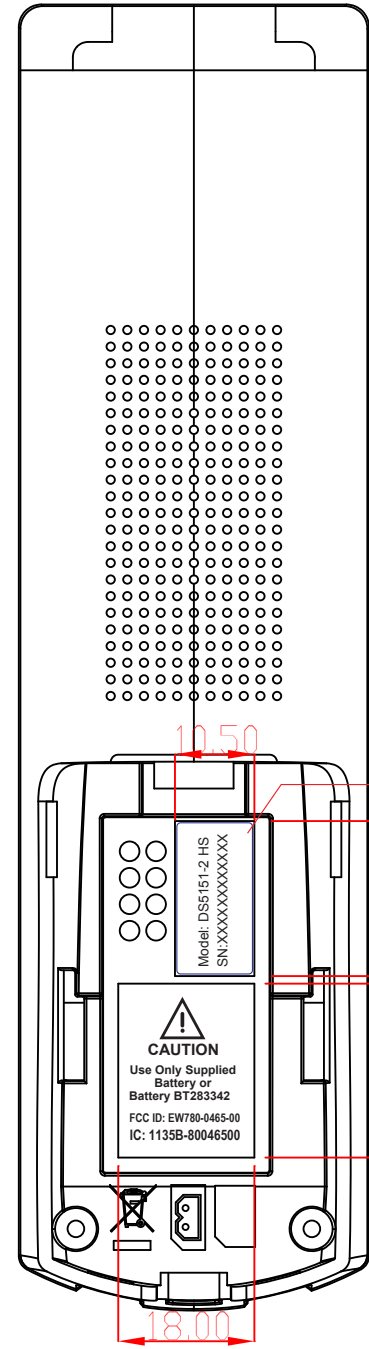


# DS5151-2/DS5151-3/DS5101 ENGRAVING



**HS**

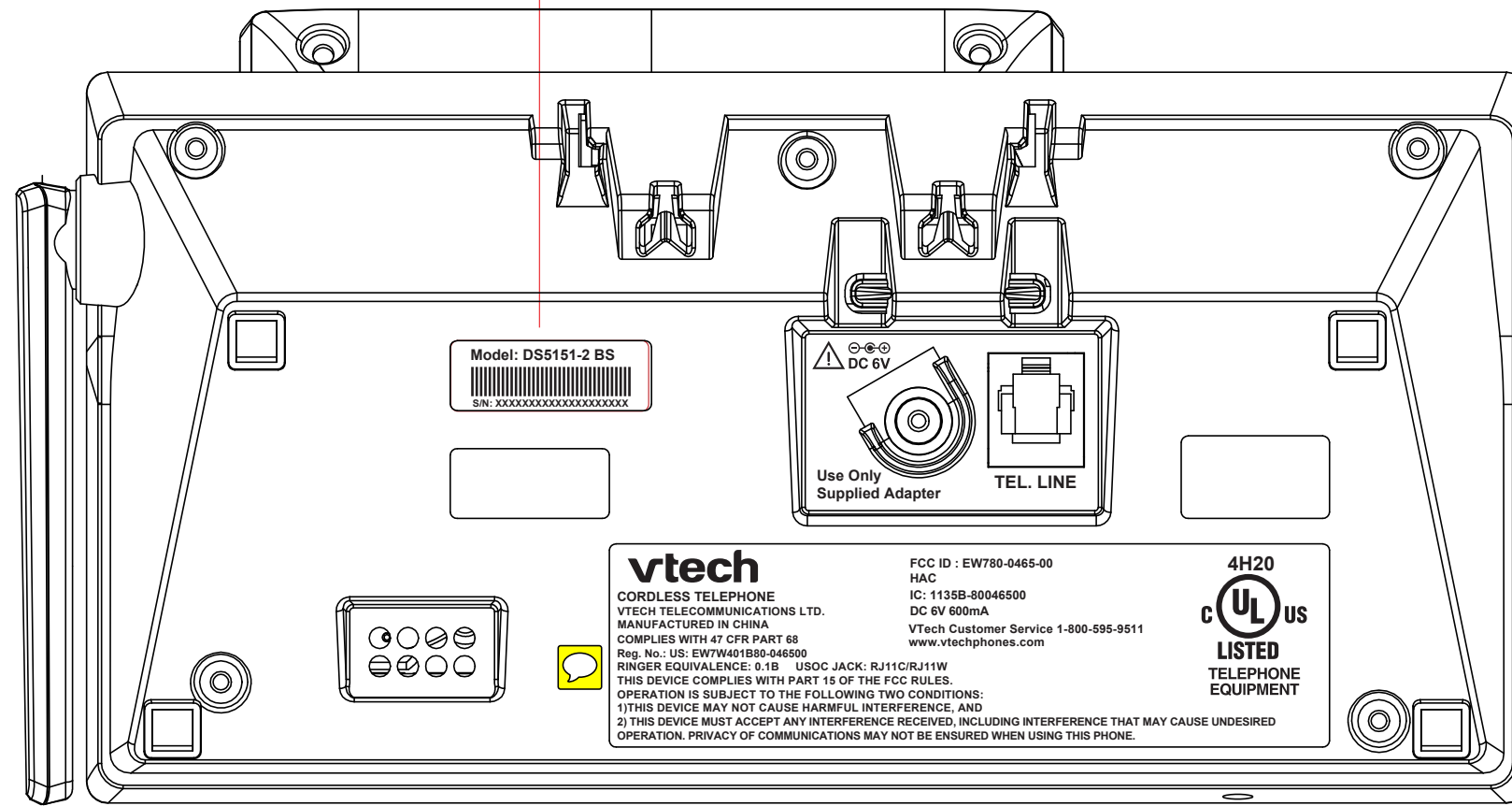
Model: DS5151-2 HS  
SN:XXXXXXXXXX

Model: DS5151-3 HS  
SN:XXXXXXXXXX

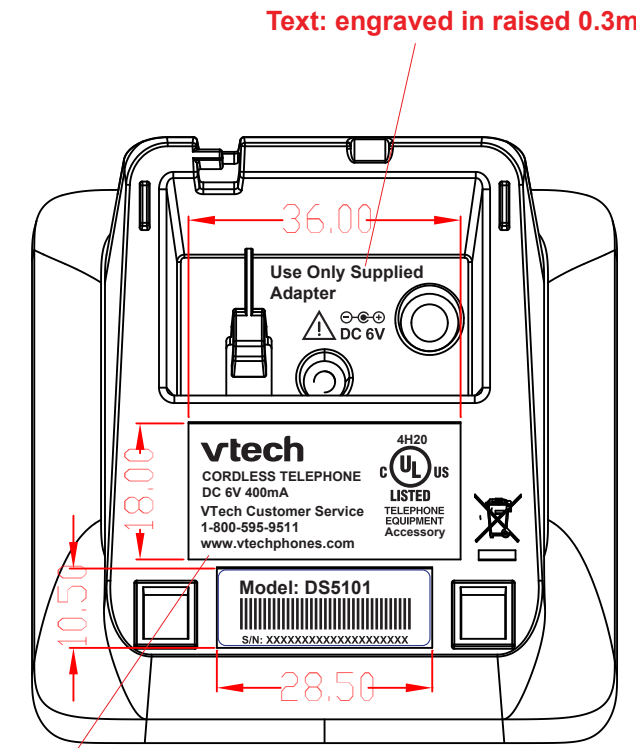
Model: DS5101 HS  
SN:XXXXXXXXXX

**SN LABEL  
20X10mm**

**SN LABEL  
28X10mm**



**BS**



**Text : Recessed 0.3mm  
High Gloss**

**Text: engraved in raised 0.3mm**

**CHARGER**