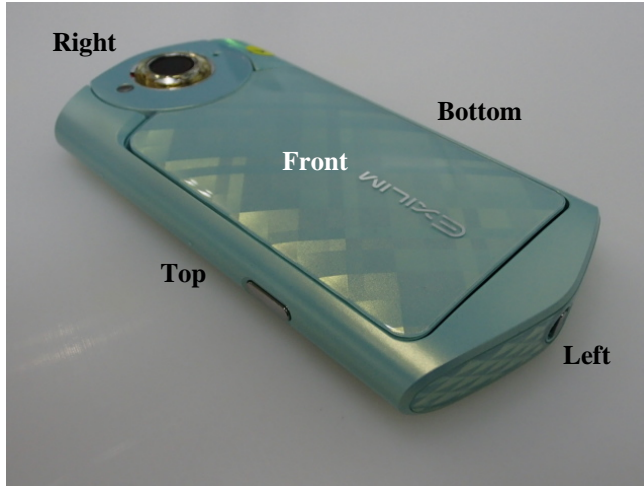


APPENDIX 4: Photographs of test setup

1. Information of host device

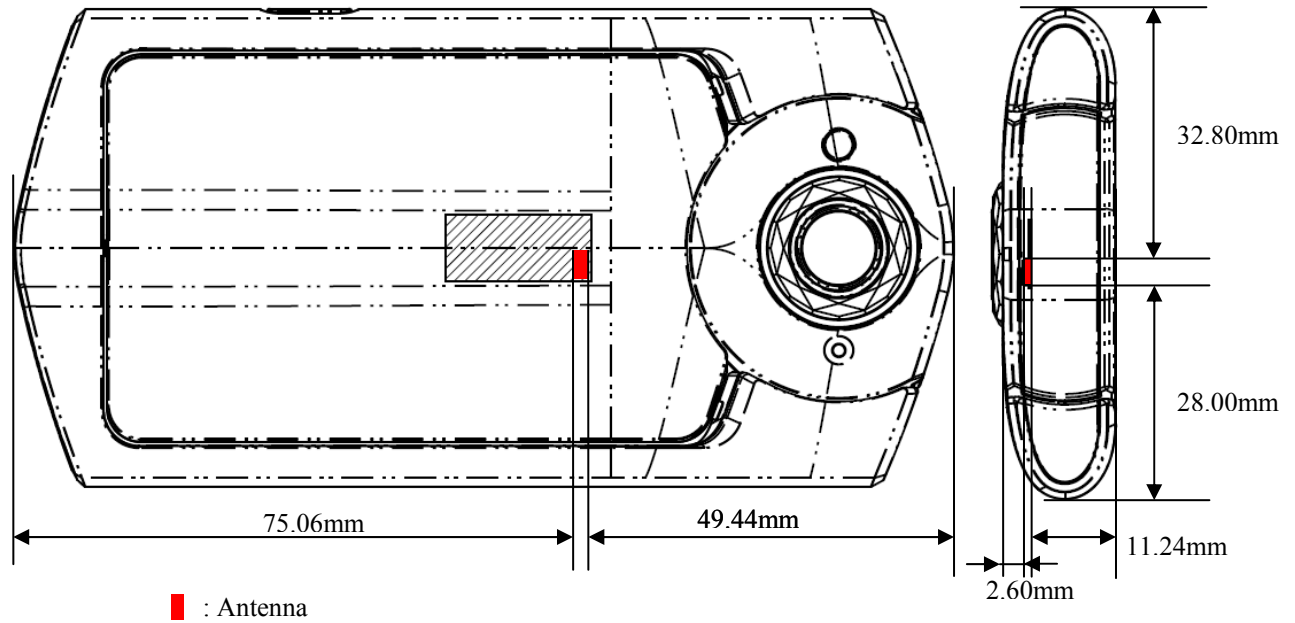


| | |
|---------------------|--|
| Type of Equipment | Digital Camera |
| Model Number *1) | EX-TR60(Tested Model) EX-TR550, EX-TR62 (Variant Model) |
| Serial Number | No.1 |
| Rating | Rechargeable lithium ion battery: NP-150, Rated Voltage 3.7 V, Rated Capacitance 950 mAh |
| Category Identified | Portable device |

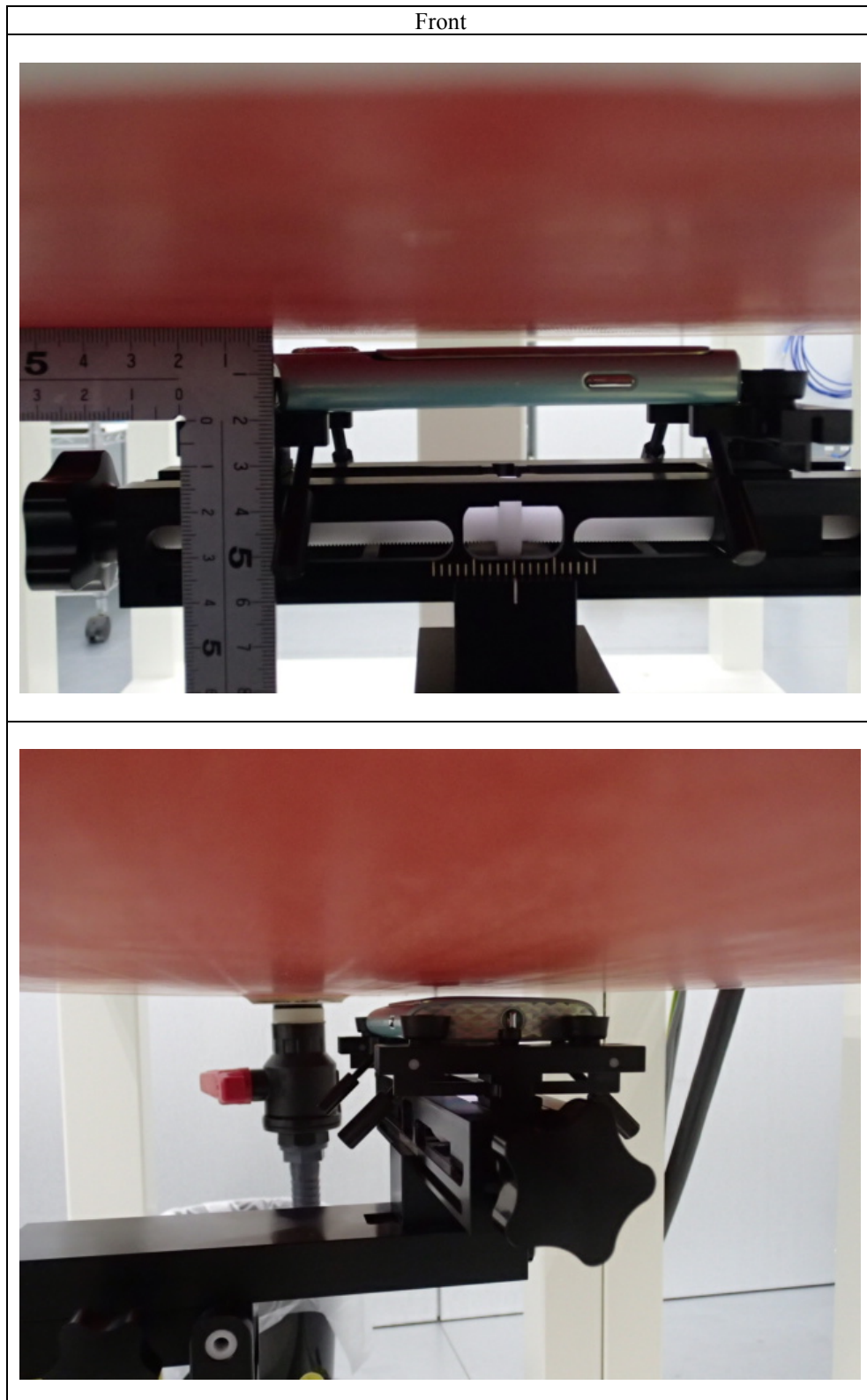
*1) The model: EX-TR60 has been chosen as a representative model for testing among 3 models (EX-TR60, EX-TR550, EX-TR62).

The difference between EX-TR60, EX-TR550 and EX-TR62 are sales area and model name only.

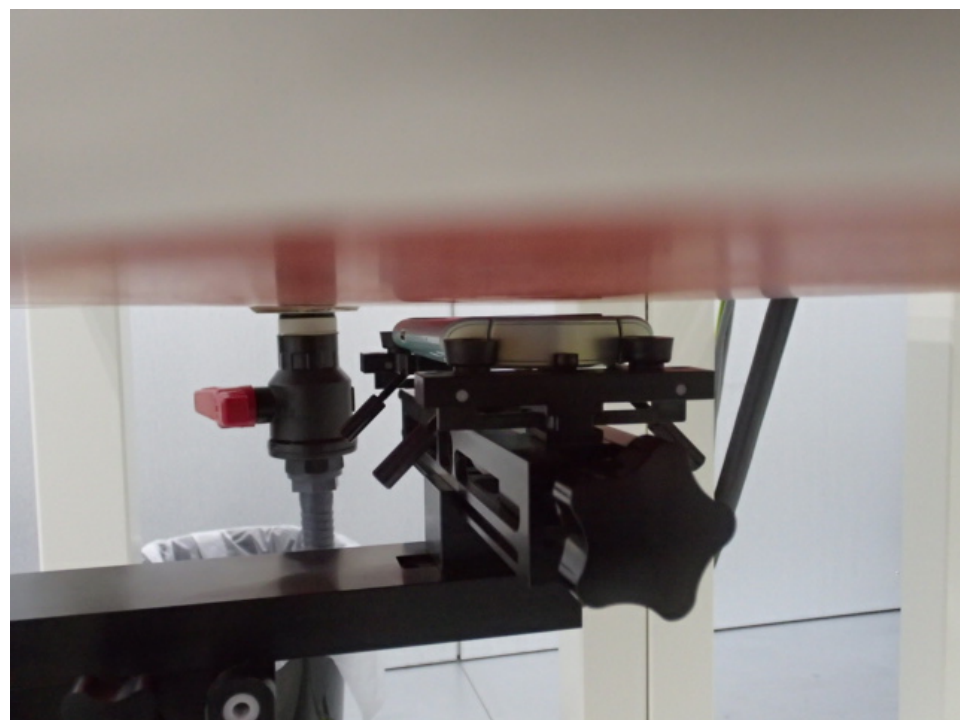
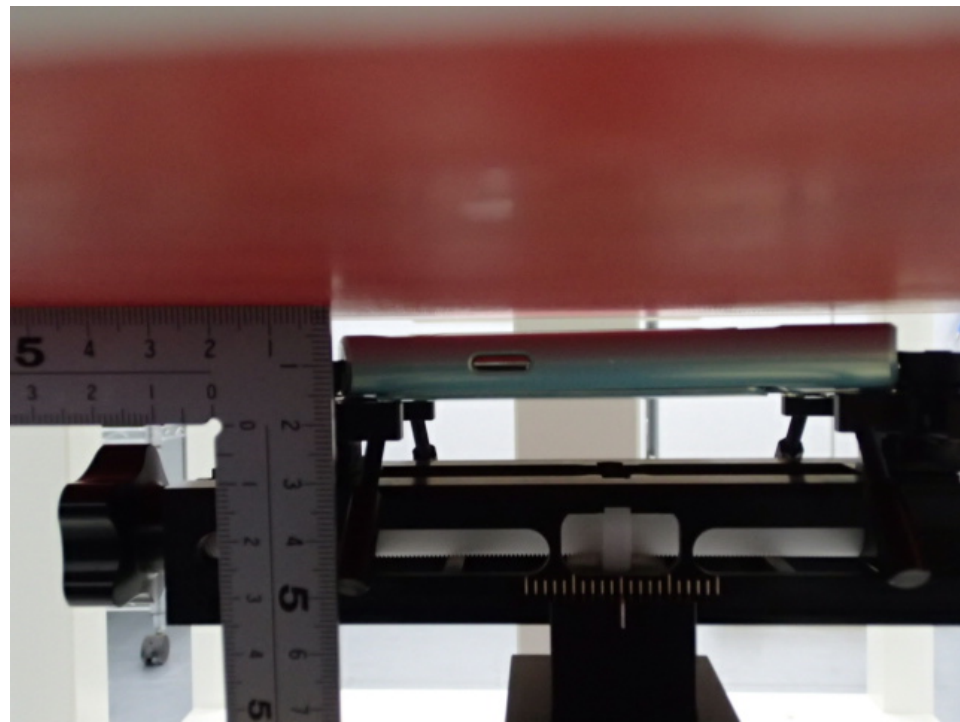
2. Antenna position



3. Photographs of setup



Rear



End of Report