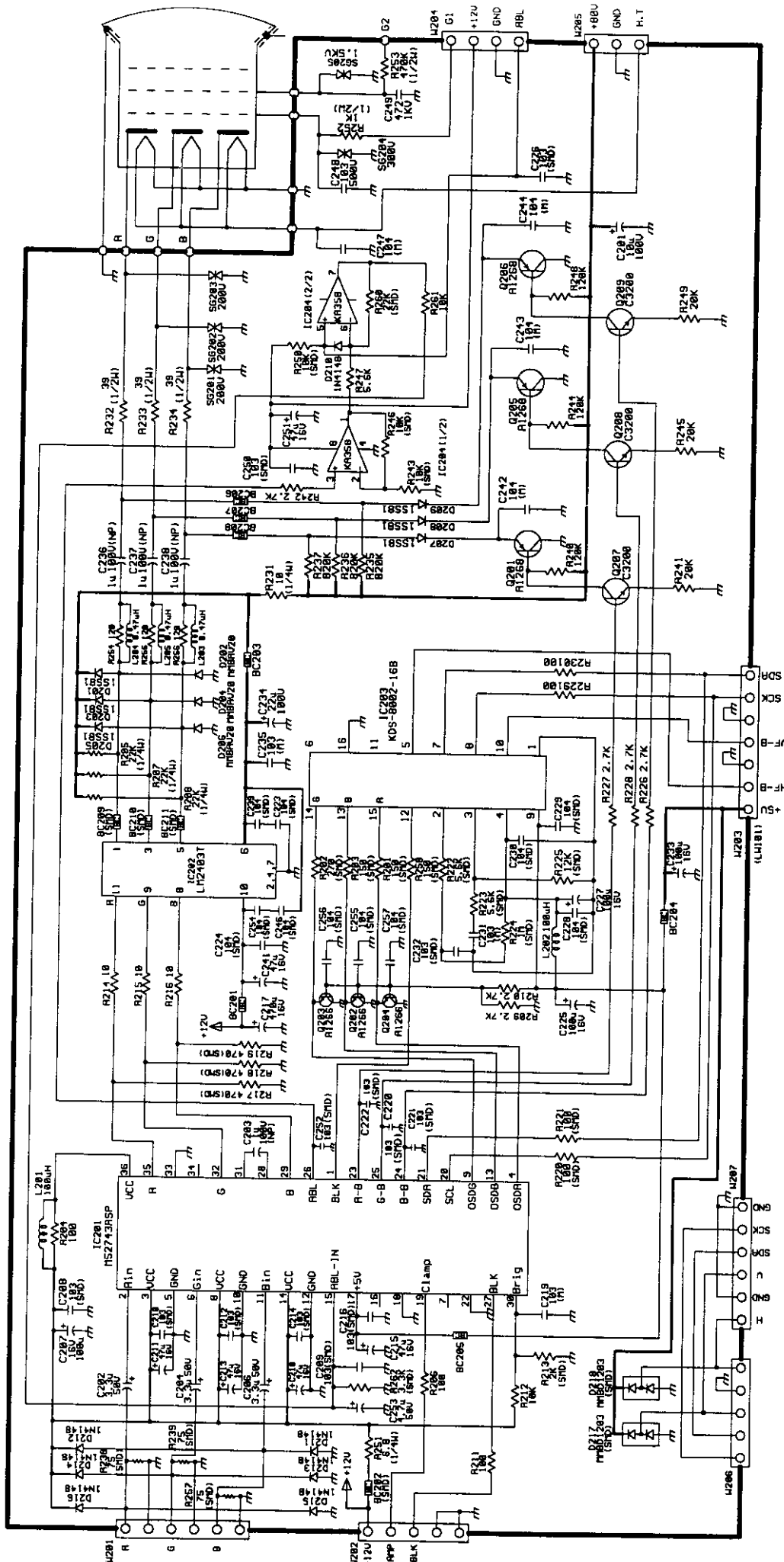


REV. NO.	DATE	DESCRIPTION OF CHANGE
1		
2		
3		
4		
5		
6		
7		
8		
9		
10		

ROPER BODY SYSTEMS CO., LTD.

Symbol	Value
(R)	100 (Ω)
(C)	100 (pF)
(L)	100 (mH)
(D)	100 (V)
(T)	100 (mA)
(V)	100 (V)
(A)	100 (mA)
(I)	100 (mA)
(O)	100 (mA)
(P)	100 (mA)
(N)	100 (mA)
(S)	100 (mA)
(M)	100 (mA)
(K)	100 (mA)
(J)	100 (mA)
(H)	100 (mA)
(G)	100 (mA)
(F)	100 (mA)
(E)	100 (mA)
(D)	100 (mA)
(C)	100 (mA)
(B)	100 (mA)
(A)	100 (mA)

NOTE: SEE DRAWING



REMARKS	CHECK	DESIGN	APPROVAL

# KD-1910T BLOCK DIAGRAM

