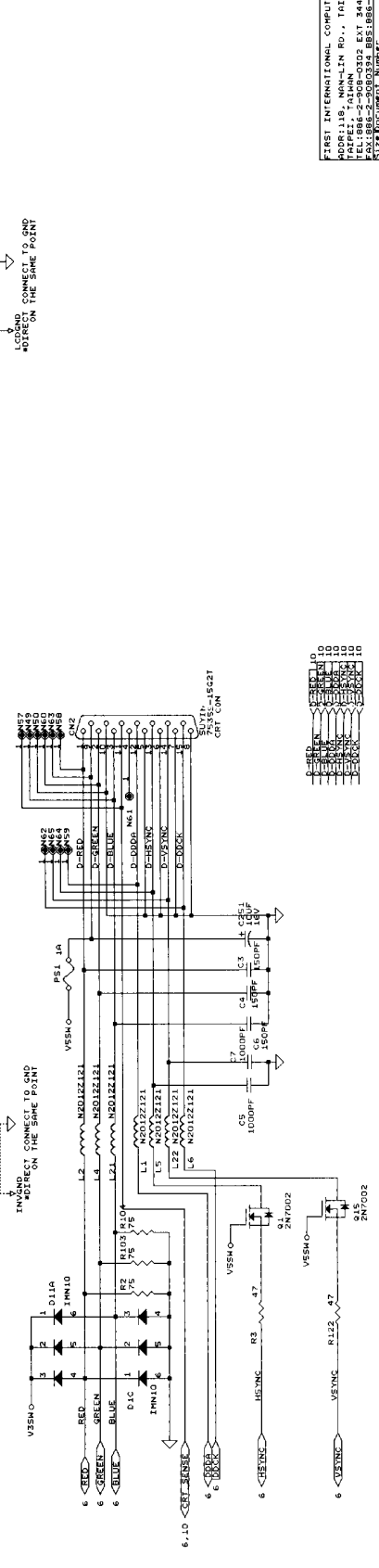
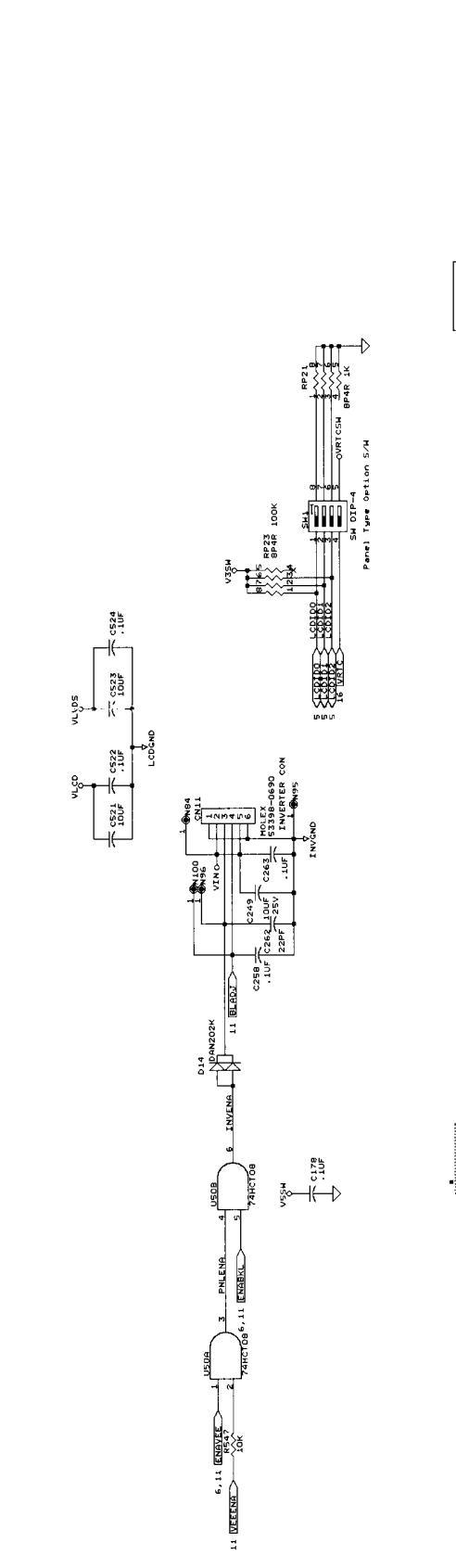
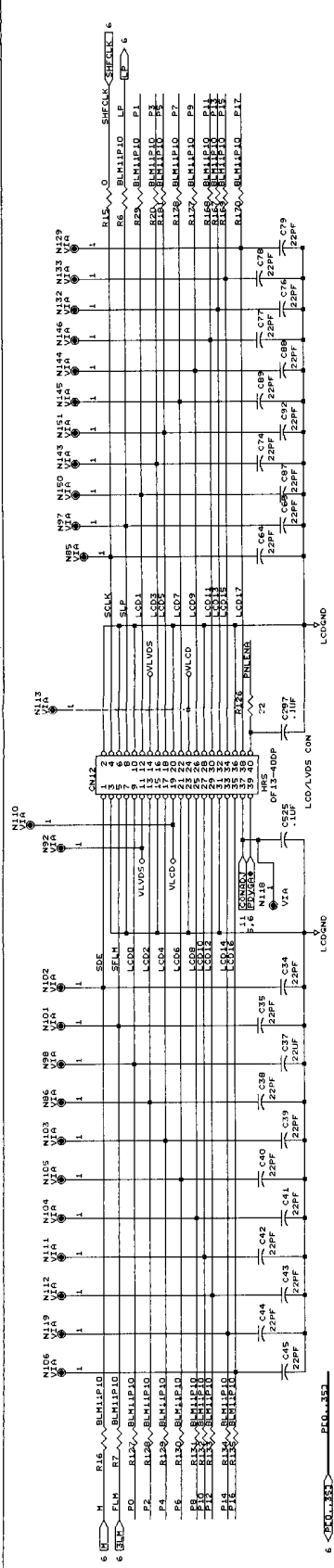
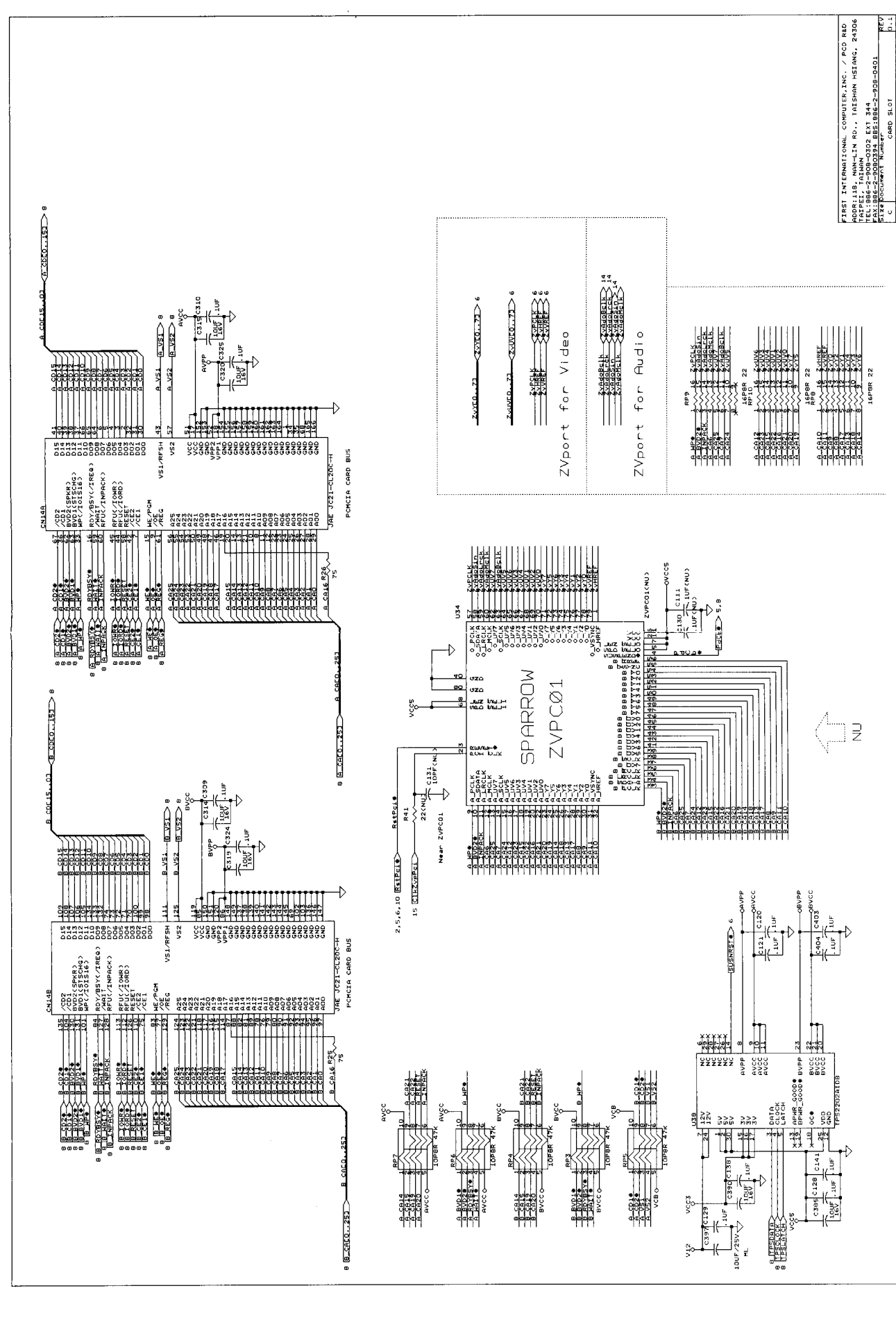


430TX MTXC
(82439TX)

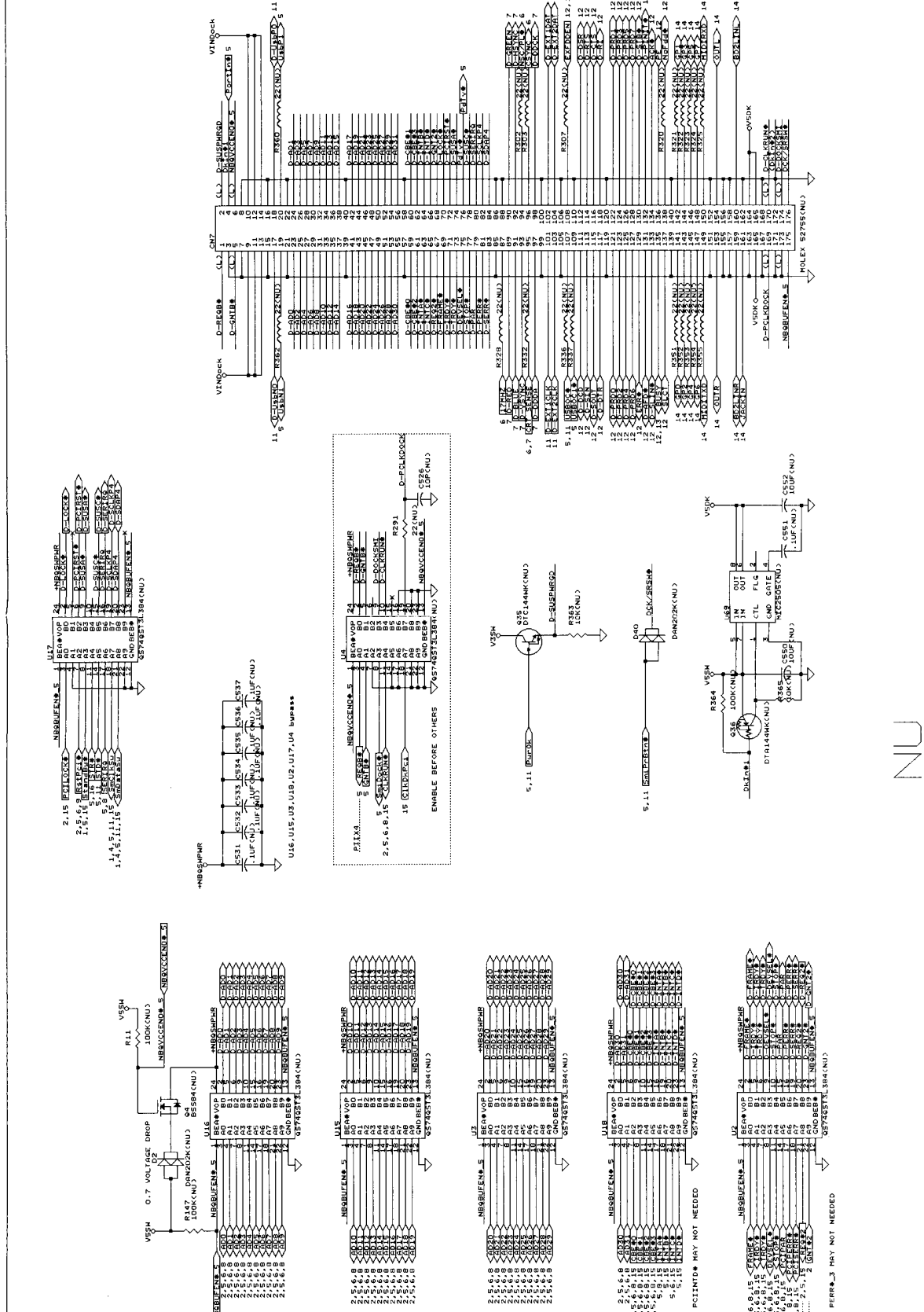
FIRST INTERNATIONAL COMPUTER, INC. / P.O. BOX
 ADDRESS: 118, NINH-LIN RD., TAI-SHIN HSIANG, 24306
 TAIPEI, TAIWAN
 TEL: 886-2-2603294
 FAX: 886-2-2603294
 Size: 11.0 x 17.0
 Date: Nov 25, 1988 Sheet 3 of 16



FIRST INTERNATIONAL COMPUTER, INC. / PCD R&D
 4000119, ANN-LIN RD., TAISHAN HSIANG, 24306
 TEL: 886-2-908-0302 EXT 344
 FAX: 886-2-908-0302
 DATE: 8811 31 0958/Sheet 7 of 16



FIRST INTERNATIONAL COMPUTER, INC. / PCD REV
 15000 WILSON RD., THILSINN MOUNTAIN, GA 3036
 TEL: 886-2-908-0302 FAX: 844
 C REV 1.1
 CARD SLOT 2
 DATE: 08/11/97 03:50:00



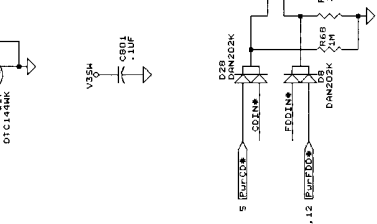
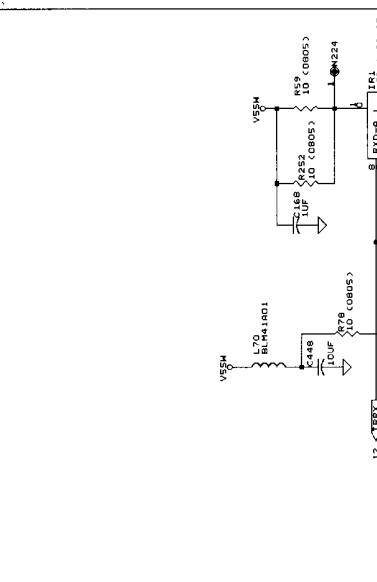
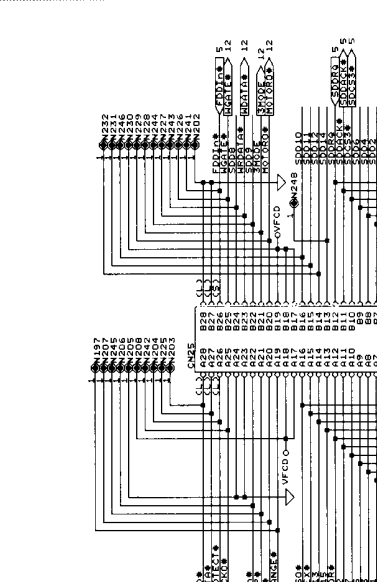
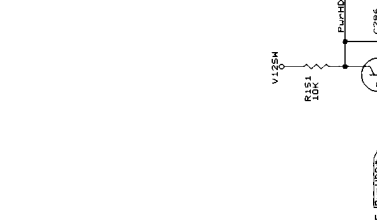
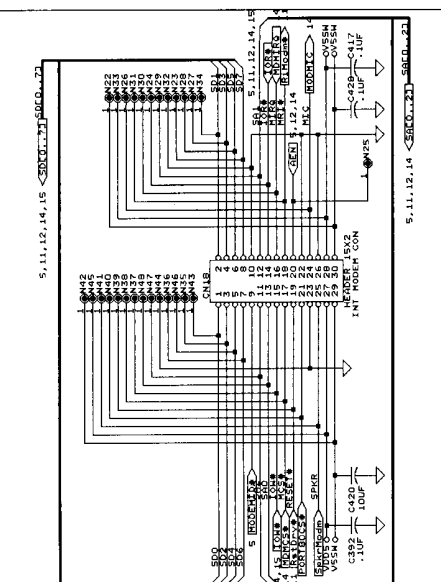
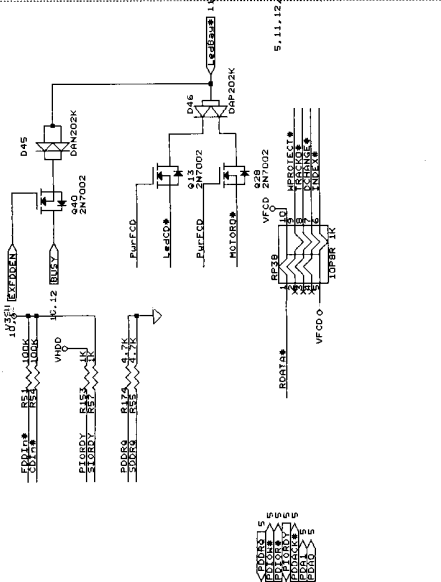
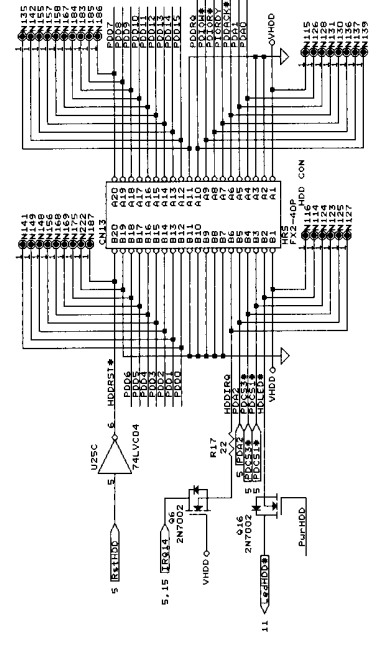
FIRST INTERNATIONAL COMPUTER, INC. / P.O. BOX
 ADDRESS: NAN-LIN RD., FAISHAN HSIANG, 24306
 TEL: 886-2-2600234 EXT 344
 FAX: 886-2-2600234 BBS: 886-2-2608-0401
 File Document Number: 886-2-2608-0401
 DATE: 1998/04/21 10:57:16

NU

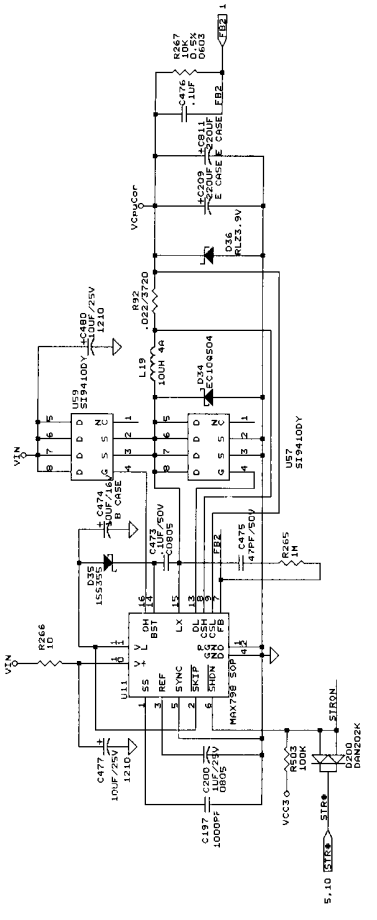
POINT#3 MAY NOT BE NEEDED

FEFF#3 MAY NOT BE NEEDED

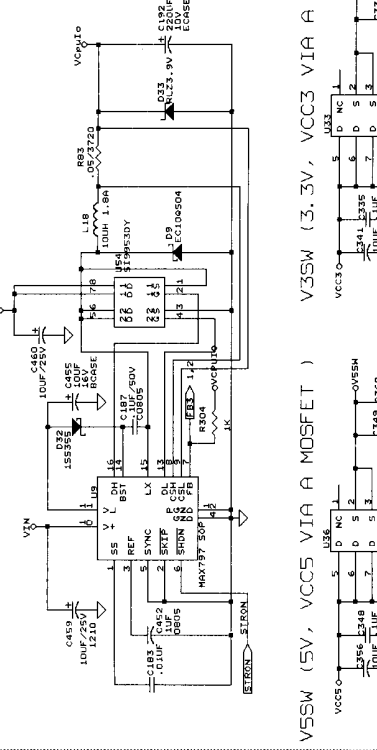
5 <S000...153> P000...151
 5 <S000...152> S000...151



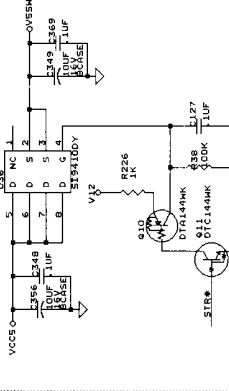
VCpuCor (2.45V or 1.8V)



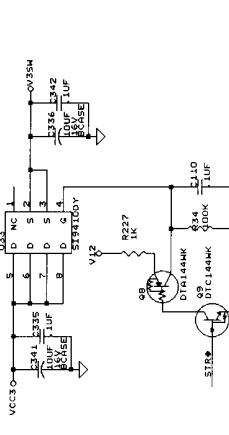
VCpuIo (3.3V or 2.5V)



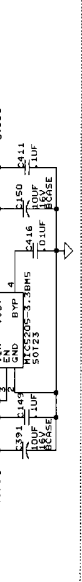
V5SW (5V, VCC5 VIA A MOSFET)



V3SW (3.3V, VCC3 VIA A MOSFET)



VDD3 (3.3V)



VDD5 (5V)

