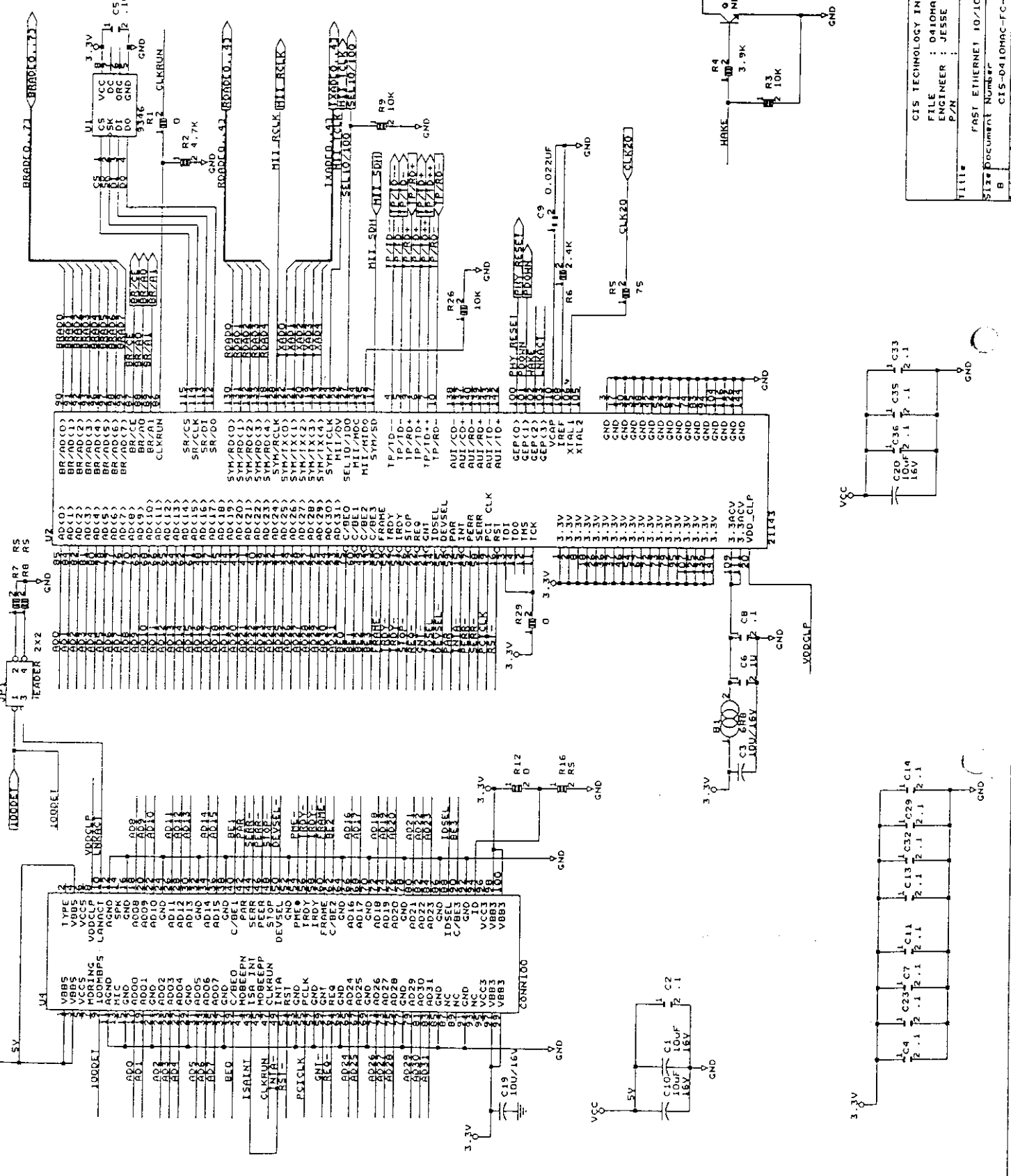


Appendix A

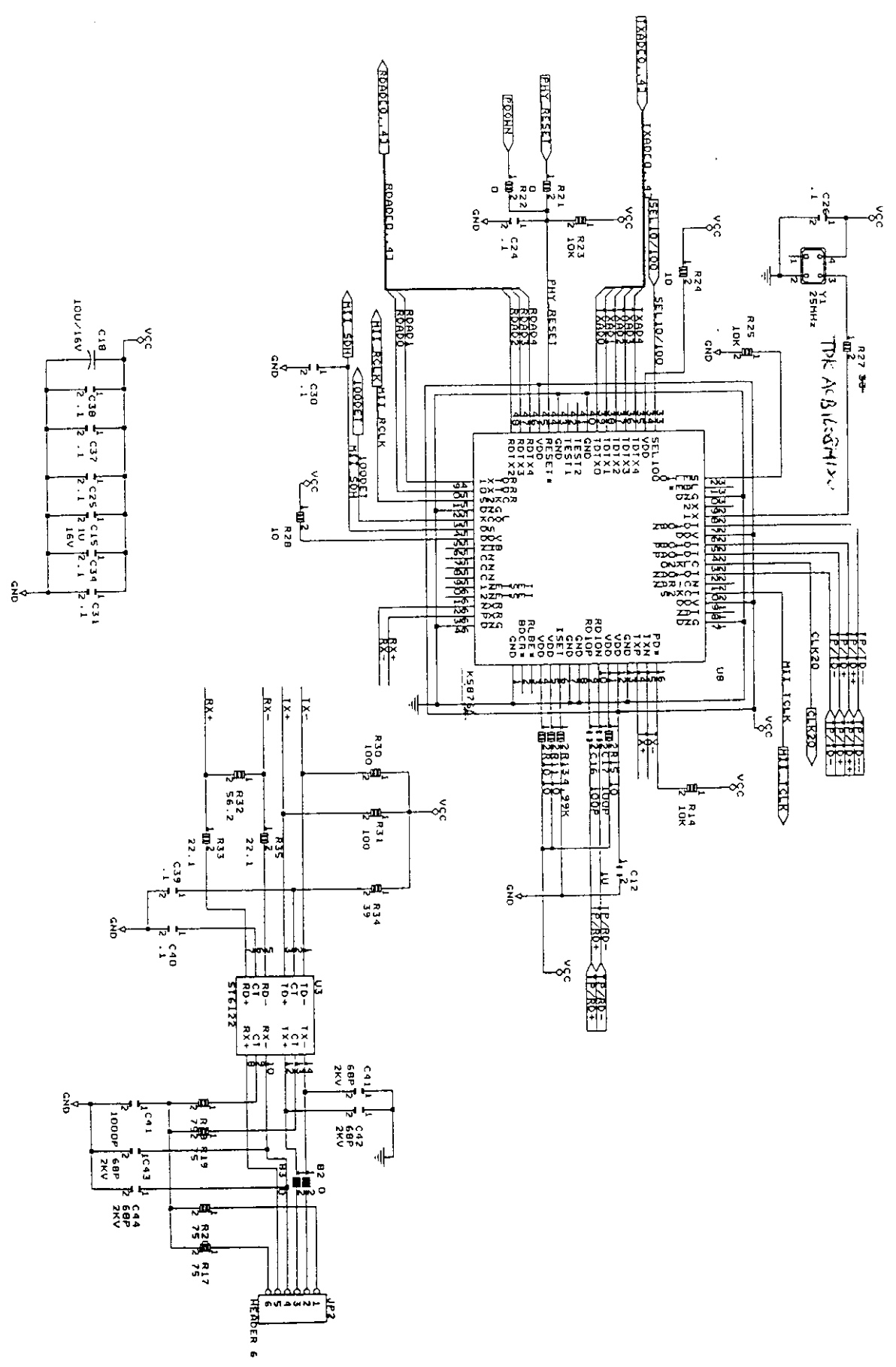
Circuit (Block) Diagram

The same as original report.

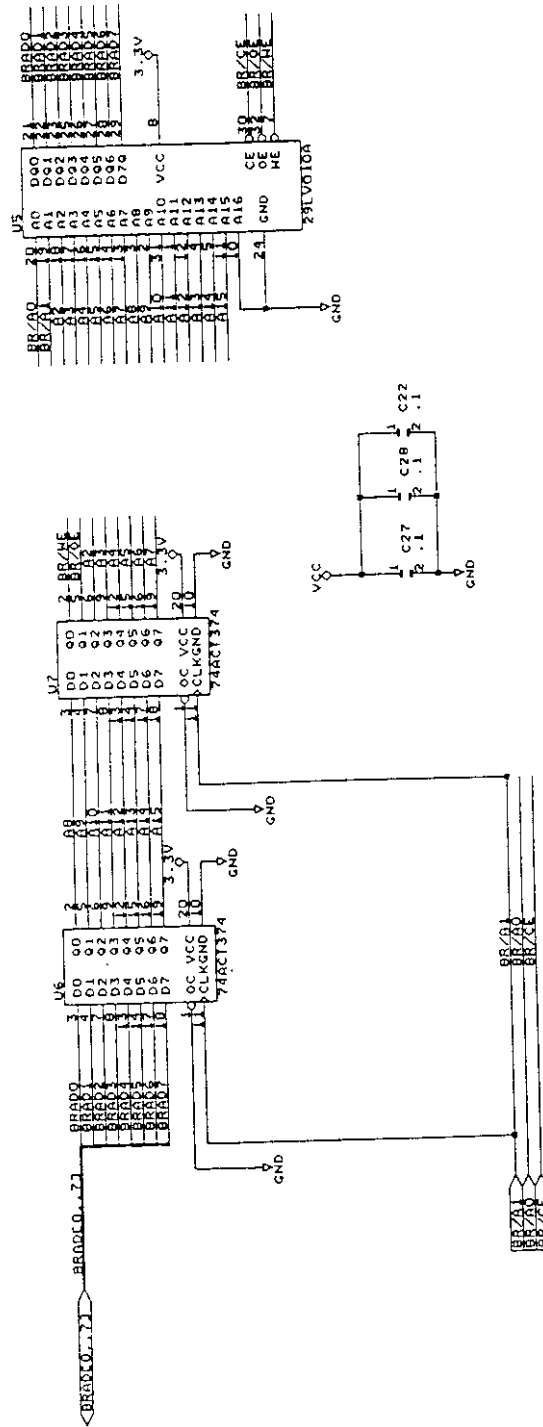


FILE	CIS-0410MAC-FC-V10
ENGINEER	JESSE CHEN
P/N	
SIZE	FAST ETHERNET 10/100 CARD
REV	1.0
DATE	December 4, 1998

TITLE	CIS TECHNOLOGY INC.
FILE	CIS-0410MAC-FC-V10
ENGINEER	JESSE CHEN
P/N	
SIZE	FAST ETHERNET 10/100 CARD
REV	1.0
DATE	December 4, 1998

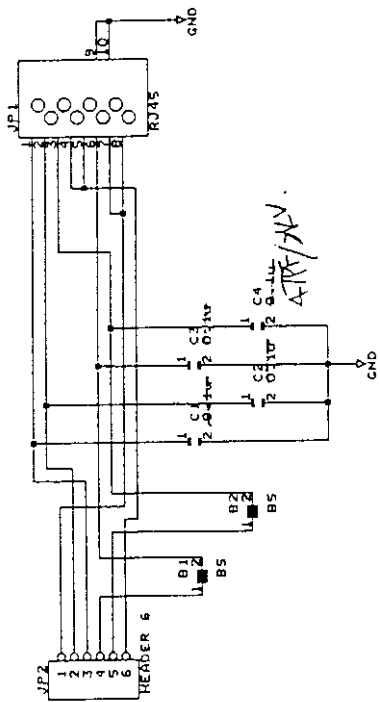


CIS TECHNOLOGY INC.
 FILE : 0410PHY.SCH
 ENGINEER : JESSE CHEN
 P/N :
 TITLE : FAST ETHERNET 10/100 CARD
 SIB# Document Number :
 CIS-0410PHY-FC-V10
 B
 Date: December 11, 1998
 2 of 3



CIS TECHNOLOGY INC.
 FILE : D410RH.SCH
 ENGINEER : DONALD YANG
 PZN

TITLE : FAST ETHERNET 100/10 CARD
 Size Document : REV
 B : CIS-D410RH-PC-V1 : 1.0
 Date : HSY 4, 1998 Sheet 3 of 3



CIS TECHNOLOGY INC.
 FILE : XXXX.SCH
 ENGINEER : Jesse Chen
 P/N :

Title : 10Mbps and 100Mbps II Thunder Switching Hub
 Size Document Number : REV
 B CIS-HS-5112X2-SWITCH HUB-V1 V.4
 Date: June 2, 1998 Sheet 1 of 1