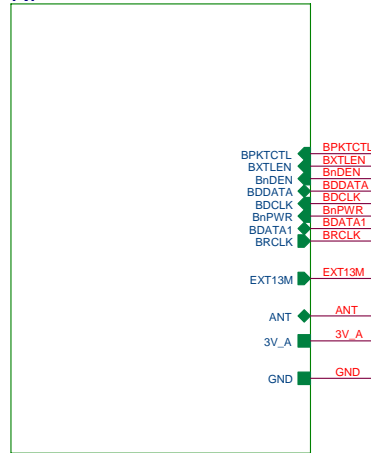
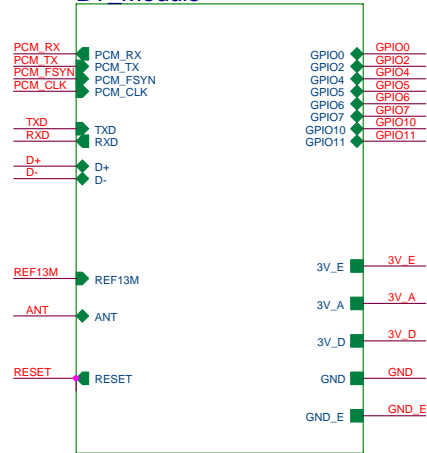


RF



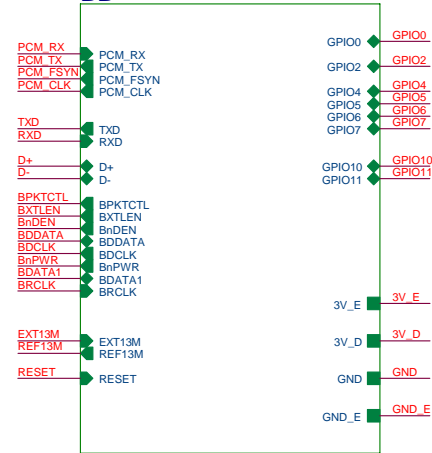
03_RF-KE1

BT Module



01_PIN OUT

BB



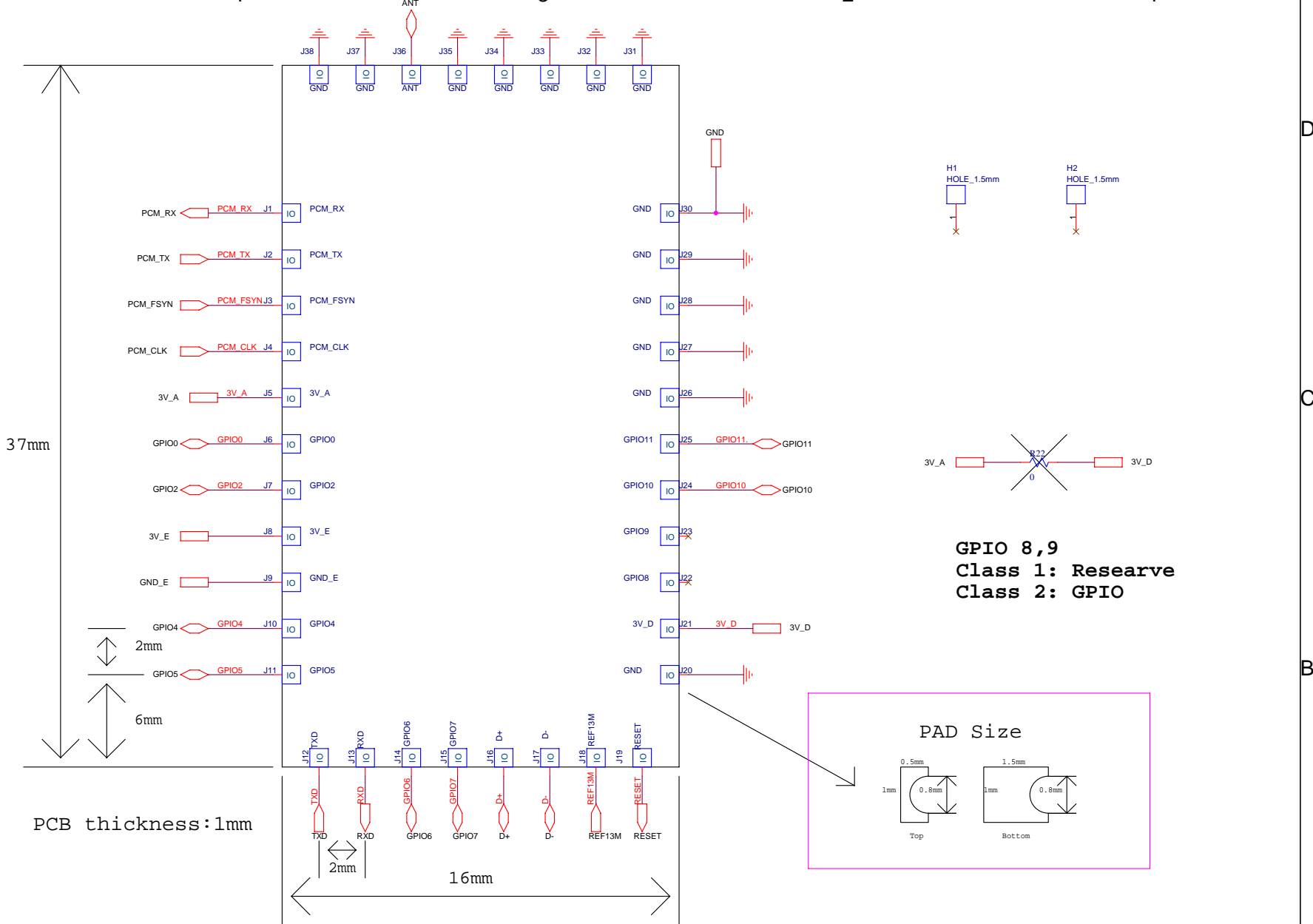
02_CW6621



EnzyTek CONFIDENTIAL !

These designs are copyrighted. They shall not be copied, reported, modified, published, uploaded, posted, transmitted, or distributed in anyway without EnzyTek's prior written permission.

| | | | | | |
|-------|------------------------------|-----------|---|------------------------------|---|
| Title | | <Title> | | 7F,No.35,Hsueh Fu Rd. | |
| Size | Document Number | Rev | | Hsinchu 300, Taiwan , R.O.C. | |
| A3 | <Doc> | <RevCode> | | | |
| Date: | Thursday, September 06, 2007 | Sheet | 1 | of | 4 |

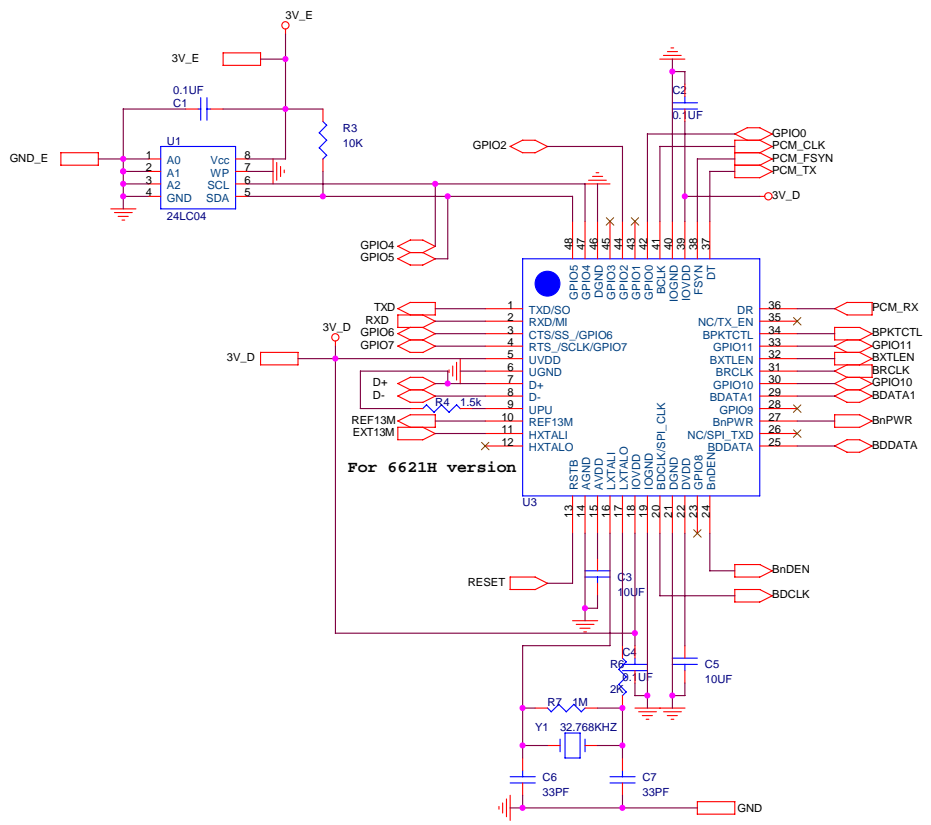


EnzyTek CONFIDENTIAL !

These designs are copyrighted, They shall not be copied, reported, modified, published, uploaded, posted, transmitted, or distributed in anyway without EnzyTek's prior written permission.



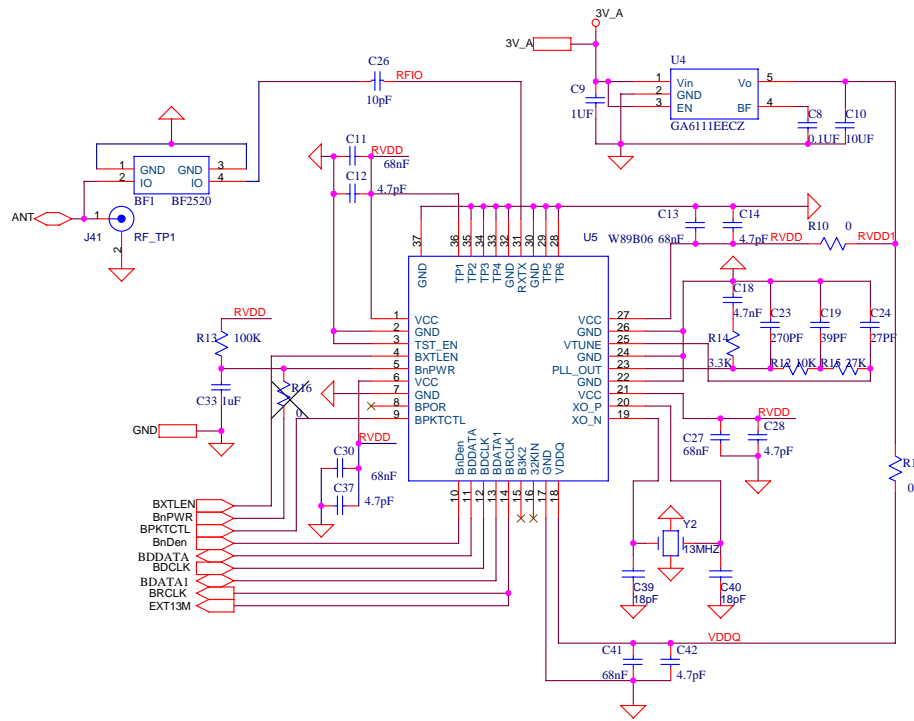
| | | | |
|-------|-----------------------|-----------|------------------------------|
| Title | PIN OUT | | 7F,No.35,Hsueh Fu Rd. |
| Size | Document Number | Rev | Hsinchu 300, Taiwan , R.O.C. |
| A3 | BB+RF_Module | <RevCode> | |
| Date: | Friday, June 22, 2007 | Sheet | 2 of 4 |



EnzyTek CONFIDENTIAL !

These designs are copyrighted. They shall not be copied, reported, modified, published, uploaded, posted, transmitted, or distributed in anyway without EnzyTek's prior written permission.

| | | | | | |
|-------|-------------------------|-----------|---|------------------------------|---|
| Title | | BB_CW6621 | | 7F,No.35,Hsueh Fu Rd. | |
| Size | Document Number | Rev | | Hsinchu 300, Taiwan , R.O.C. | |
| A3 | BB+RF_Module | <RevCode> | | | |
| Date: | Monday, August 20, 2007 | Sheet | 3 | of | 4 |



EnzyTek CONFIDENTIAL !

These designs are copyrighted. They shall not be copied, reported, modified, published, uploaded, posted, transmitted, or distributed in anyway without EnzyTek's prior written permission.

| | | | | | |
|-------|----------------------------|-----------|---|------------------------------|---|
| Title | | KE1 | | 7F.No.35,Hsueh Fu Rd. | |
| Size | Document Number | Rev | | Hsinchu 300, Taiwan , R.O.C. | |
| A3 | BB+RF_Module | <RevCode> | | | |
| Date: | Friday, September 07, 2007 | Sheet | 4 | of | 4 |