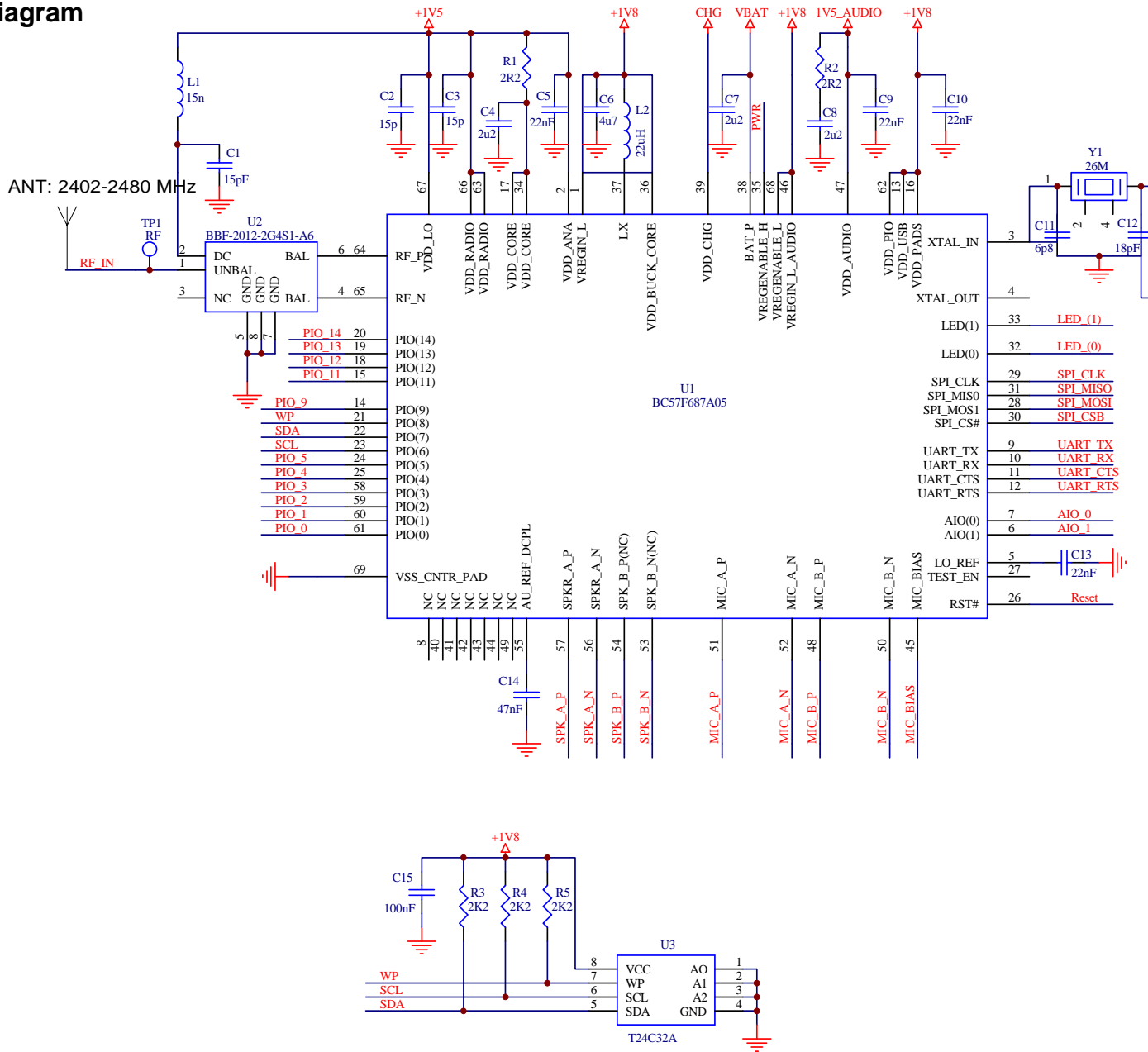


Circuit Diagram



Rev No:A1		Fihonest Communication Co,Ltd BTM521-VO1A Schematic Diagram		Date:2012-05-25 Sheet:1of1	
R&D	Drawn:	Checked By:	Approver By:		

