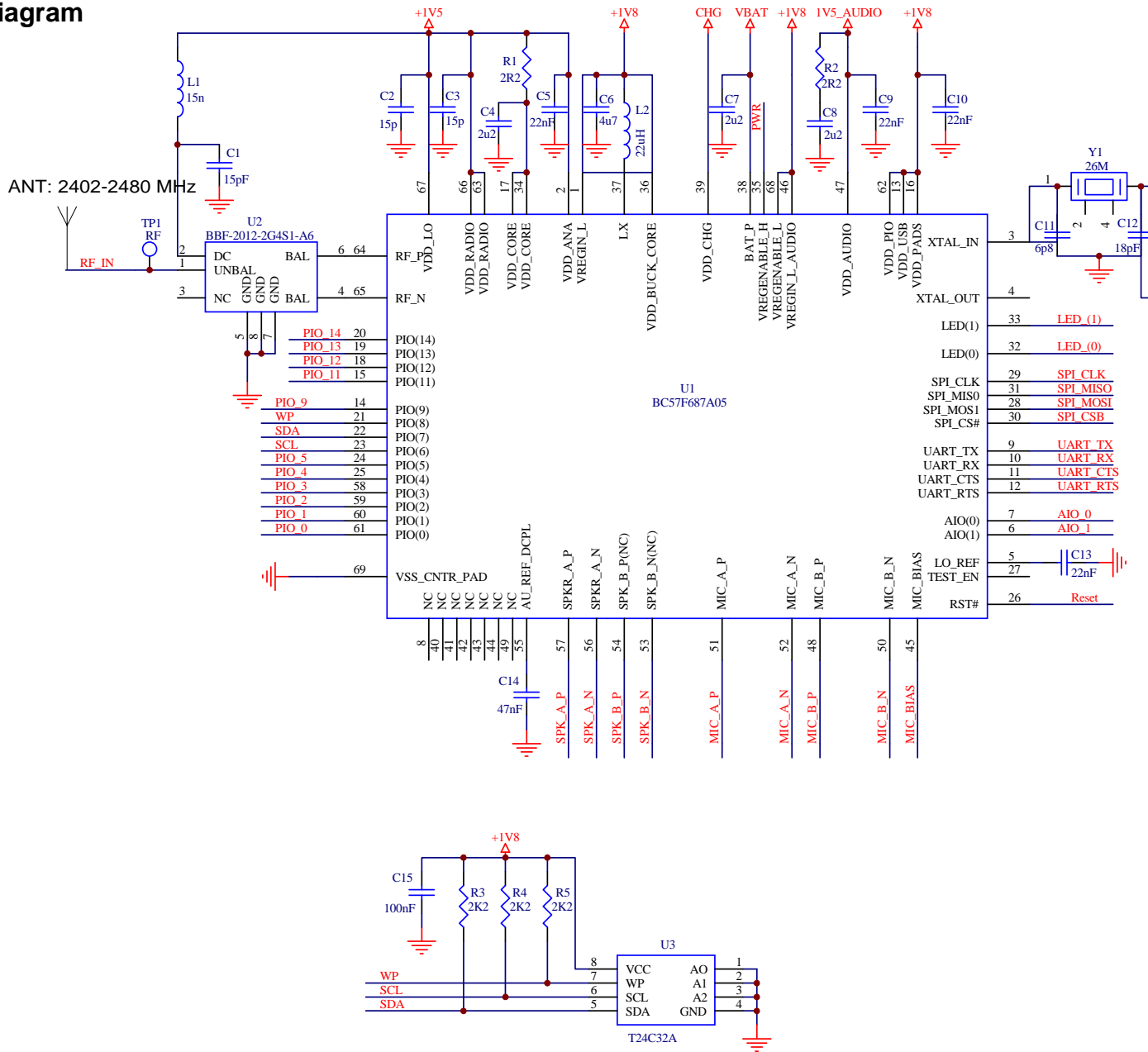
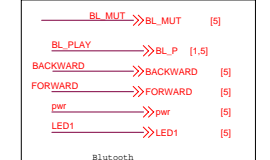
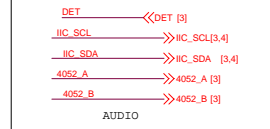
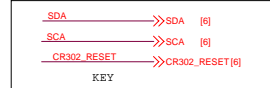
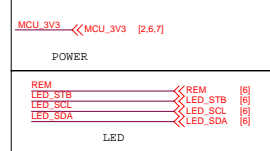
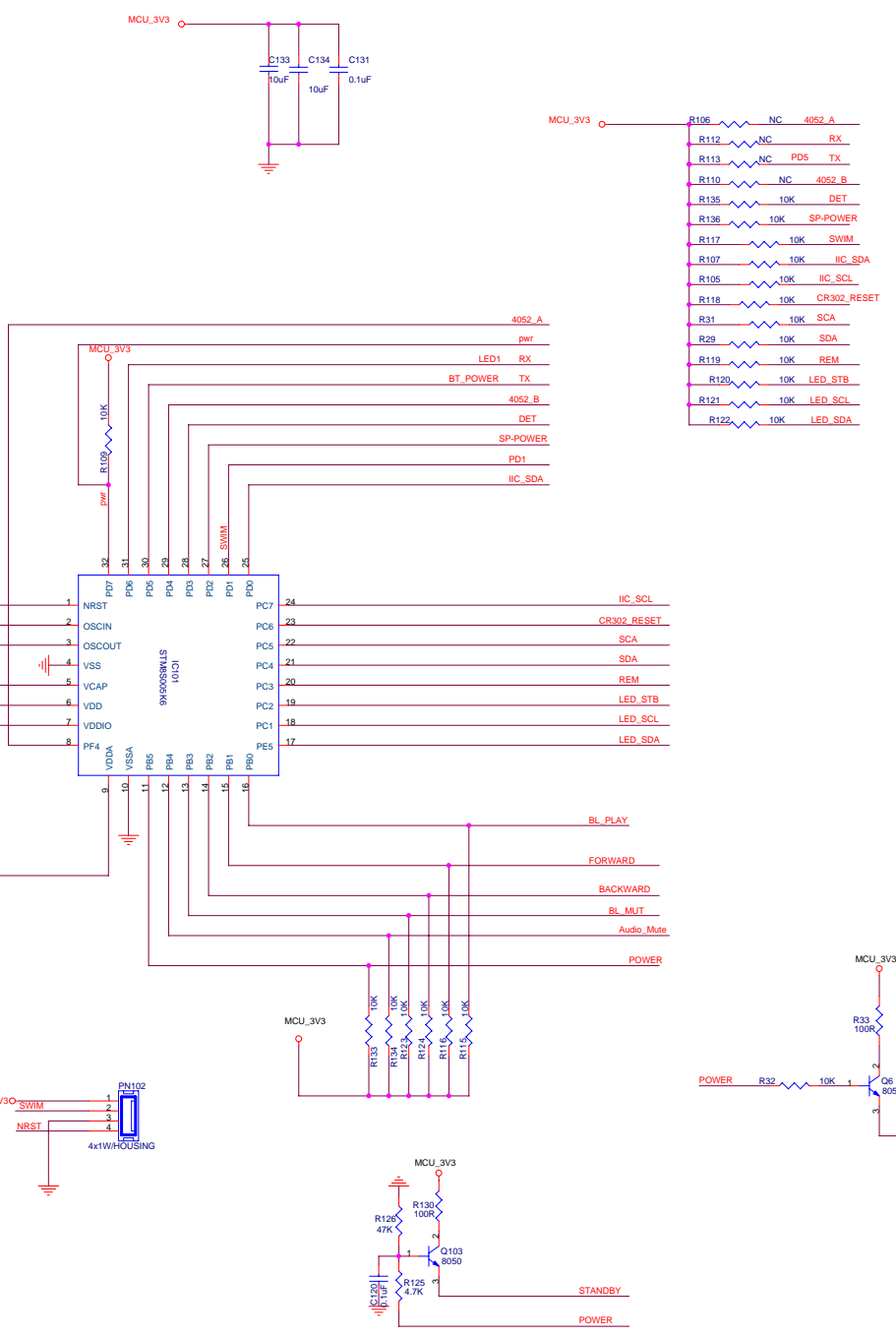


# Circuit Diagram

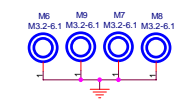
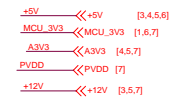
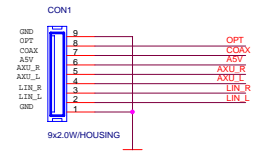
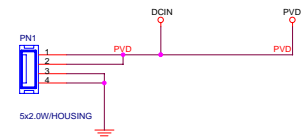
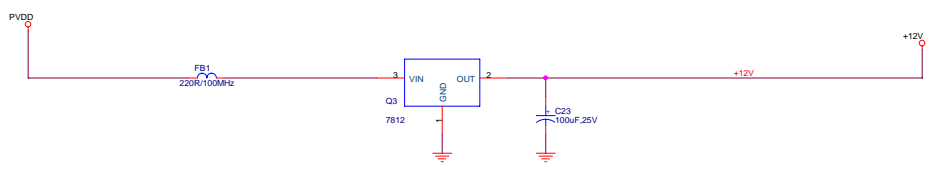
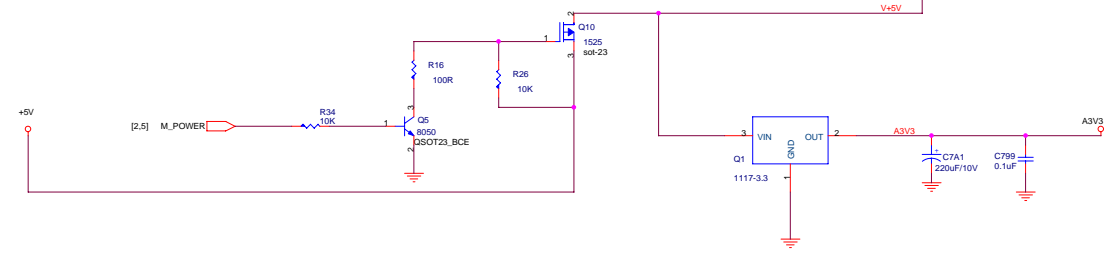
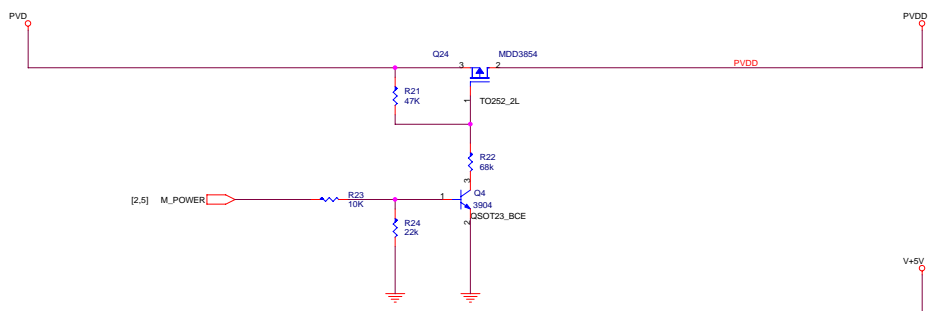
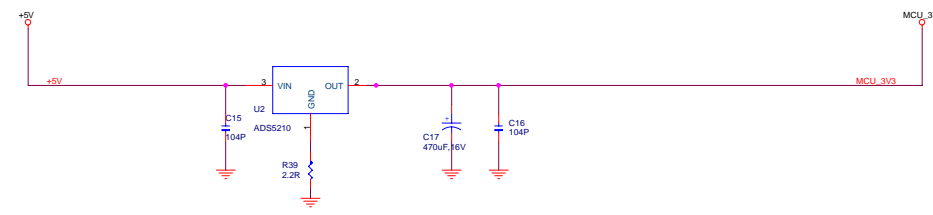
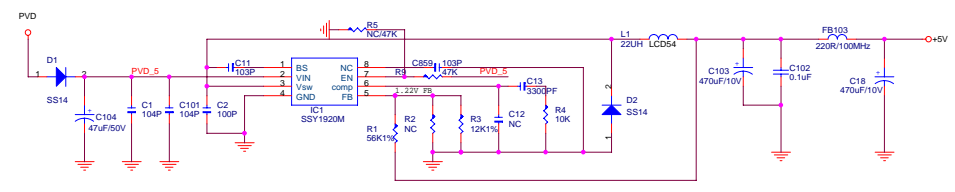


Rev No:A1	Fihonest Communication Co,Ltd BTM521-VO1A Schematic Diagram	Date:2012-05-25 Sheet:1of1
R&D	Drawn:	Checked By:
		Approver By:

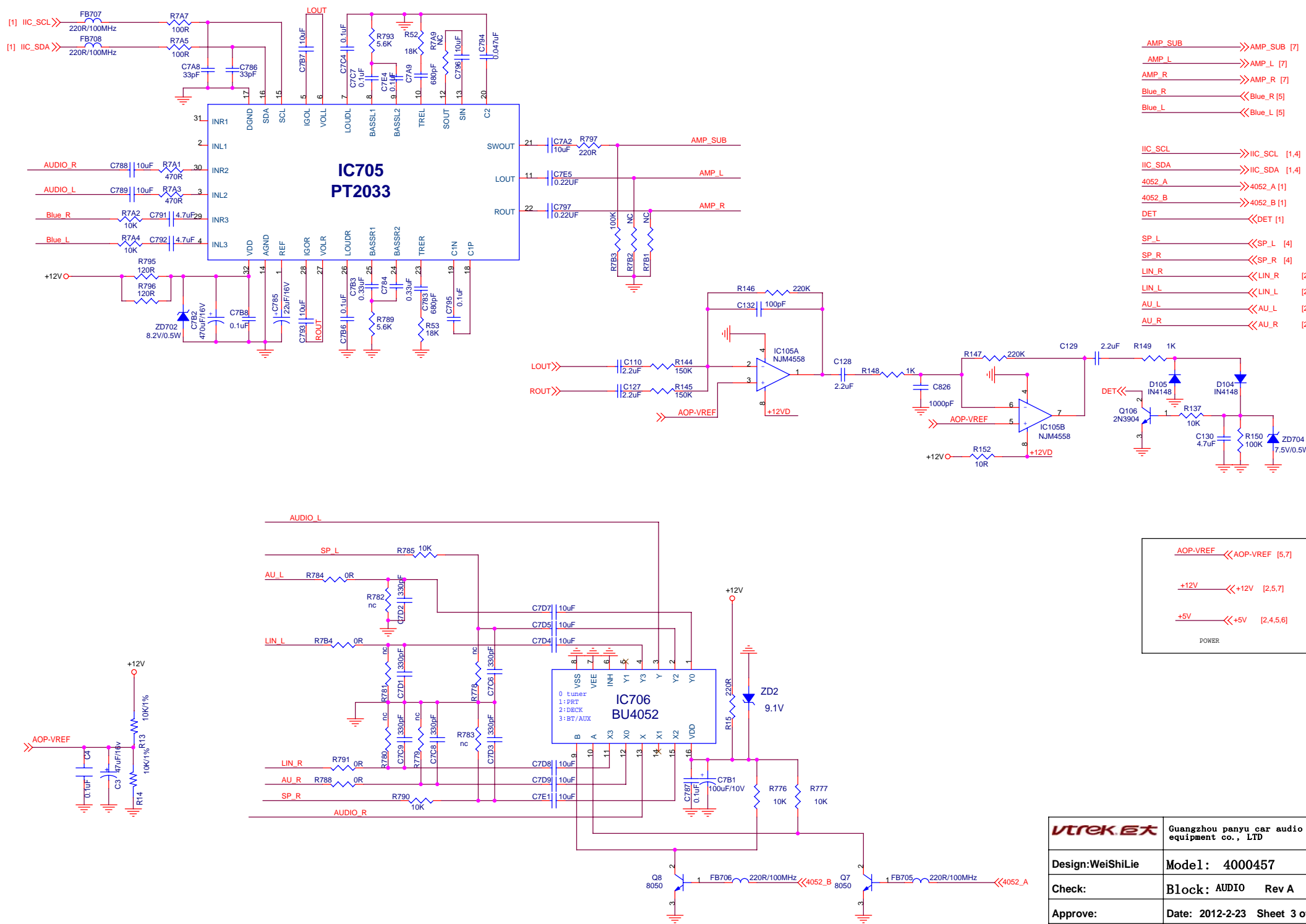
pin	name	function
11	PB5	POWER
12	PB4	Audio Mute
13	PB3	BL_MUT
14	PB2	BACKWARD
15	PB1	FORWARD
16	PB0	BL_PLAY
17	PE5	LED_SDA
18	PC1	LED_SCL
19	PC2	LED_STB
20	PC3	REM
21	PC4	CR302_SDA
22	PC5	CR302_SCA
23	PC6	CR302_RESET
24	PC7	IIC_SCL
25	PD0	IIC_SDA
26	PD1	SWIM
27	PD2	SP-POWER
28	PD3	DET
29	PD4	4052_B
30	PD5	BT_POWER
31	PD6	LED1
32	PD7	pwr
8	PF4	4052_A



<b>UTREK EX</b>	Guangzhou panyu car audio equipment co., LTD
Design:WeiShiLie	Model: 4000457
Check:	Block: MCU Rev A
Approve:	Date:2013-2-23 Sheet 3 of 7



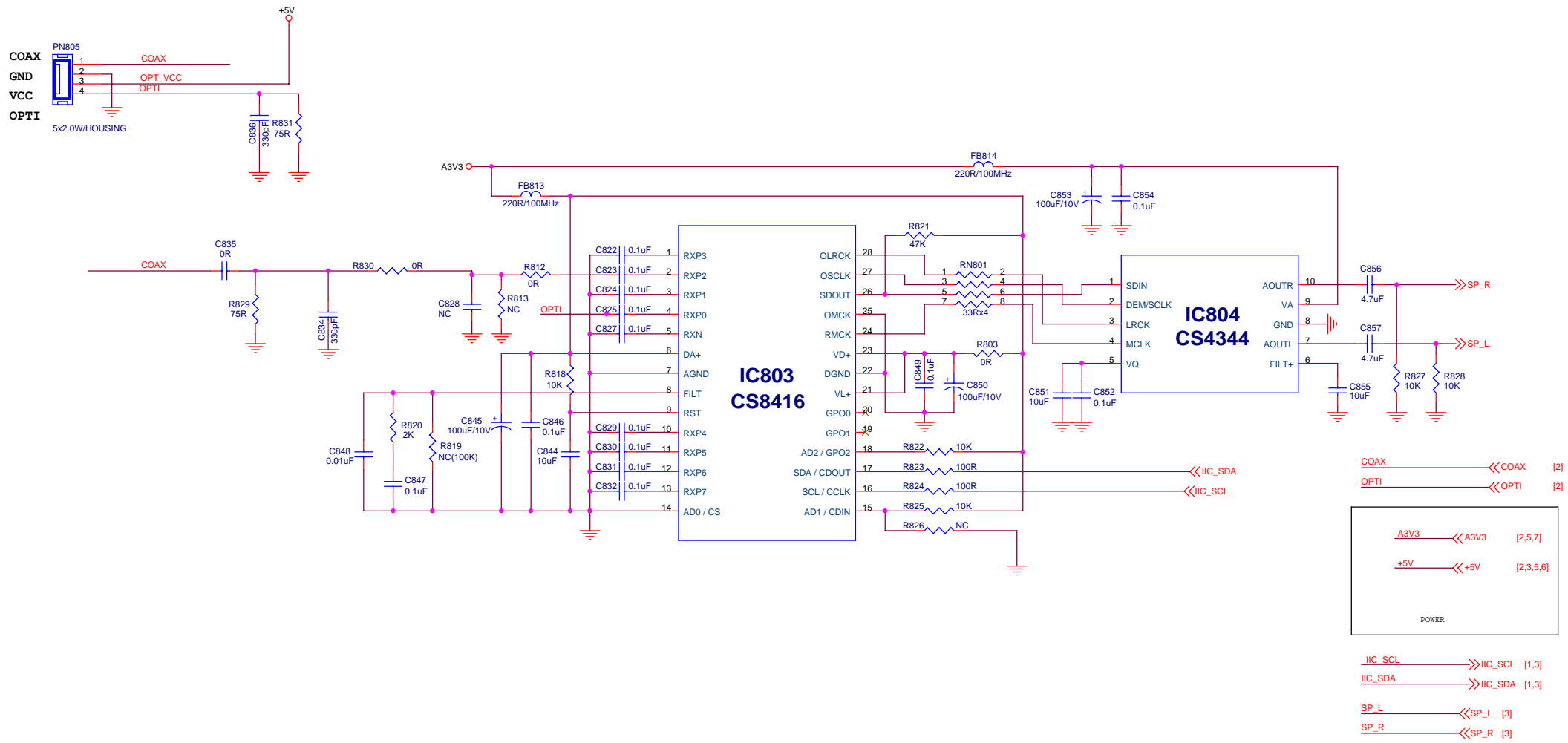
<b>UTREK EX</b>	Guangshou panyu car audio equipment co., LTD
Design:WeiShiLie	Model: 4000457
Check:	Block: Power Supply Rev A
Approve:	Date:2013-2-23 Sheet 2 of 7



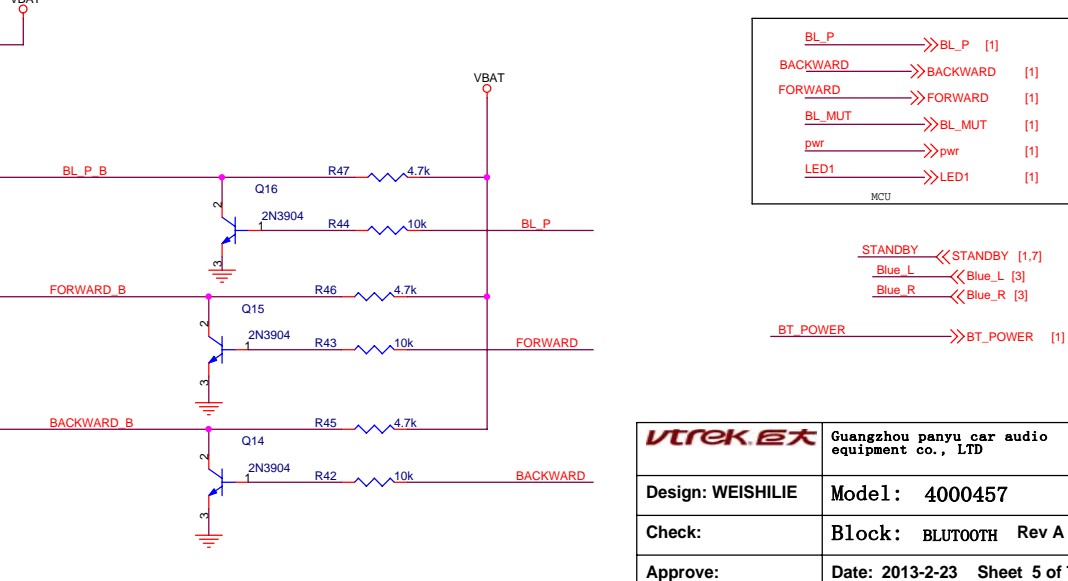
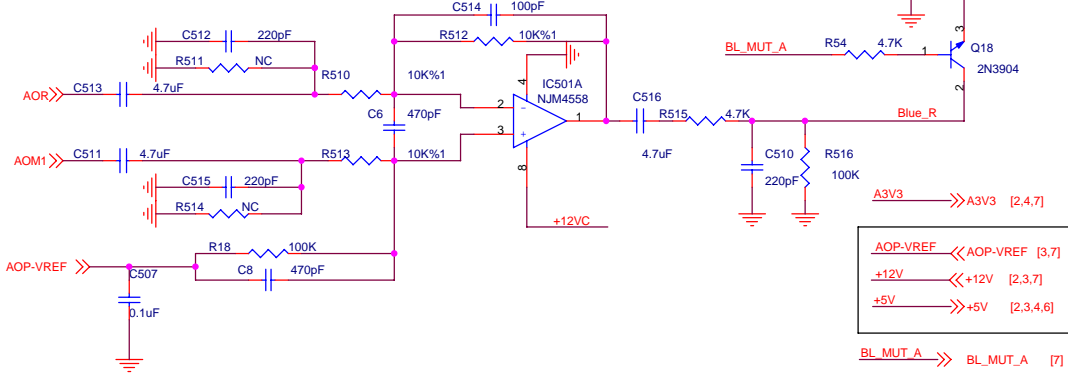
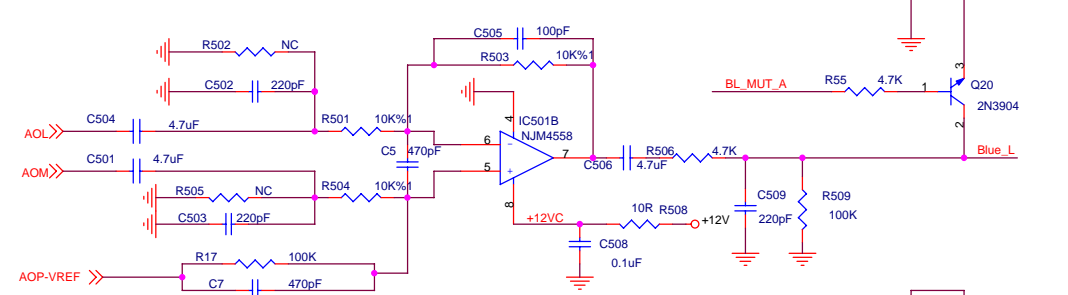
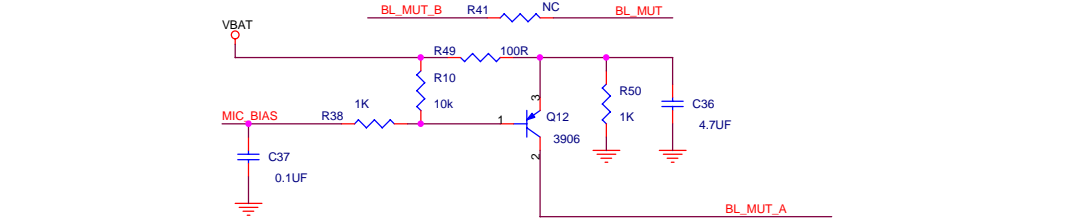
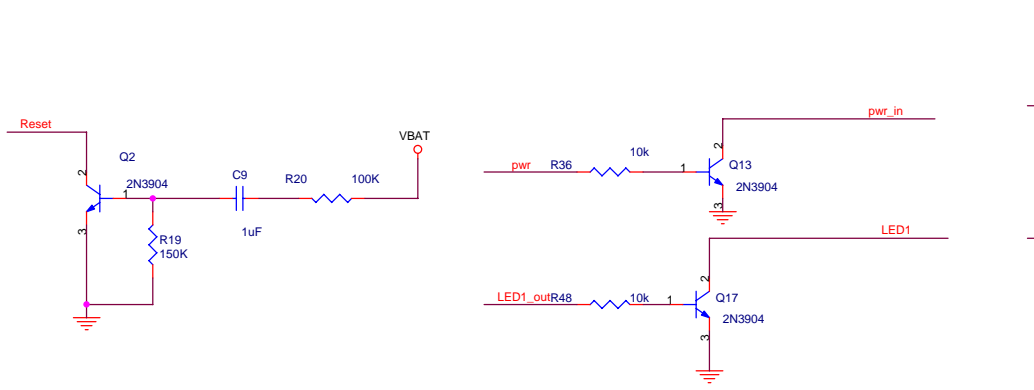
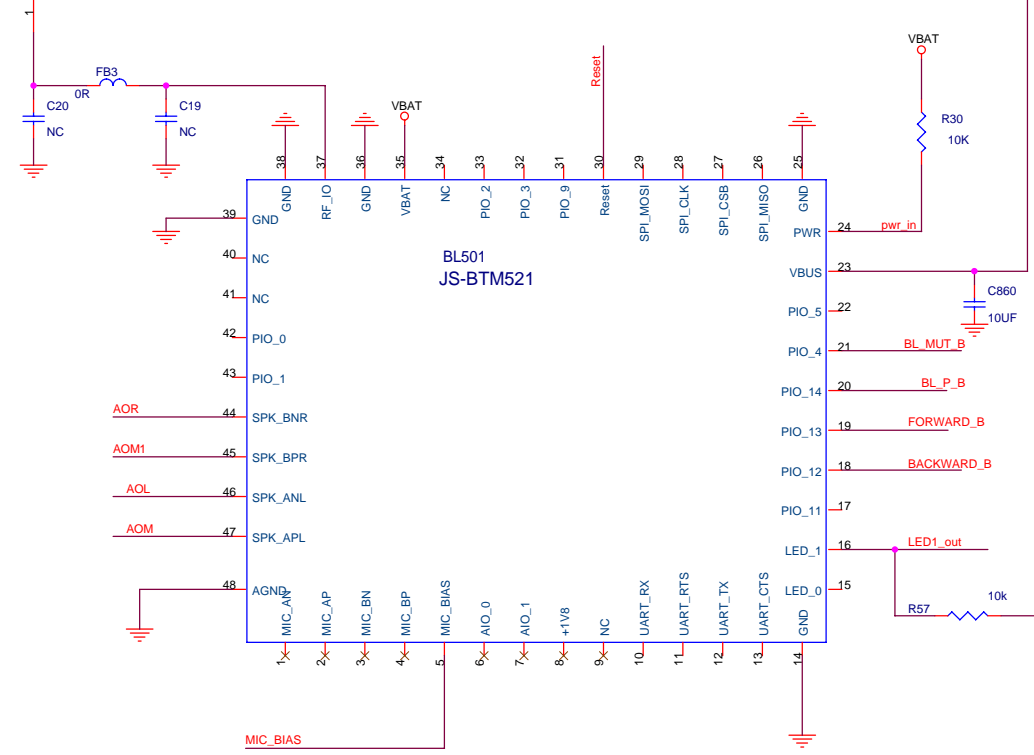
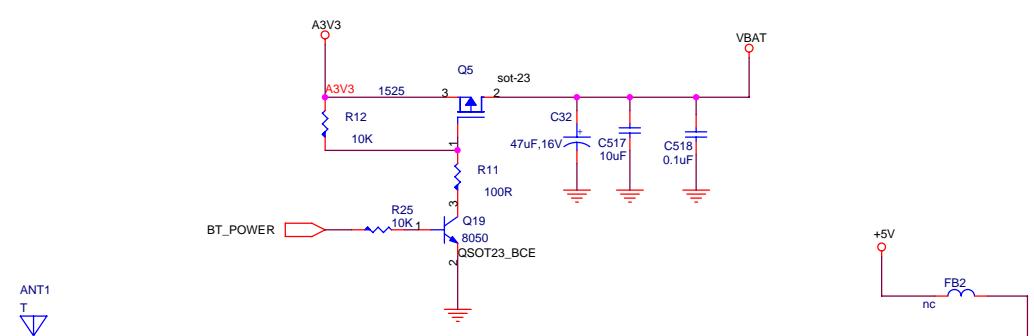
- AMP\_SUB >> AMP\_SUB [7]
- AMP\_L >> AMP\_L [7]
- AMP\_R >> AMP\_R [7]
- Blue\_R >> Blue\_R [5]
- Blue\_L << Blue\_L [5]
- IIC\_SCL >> IIC\_SCL [1,4]
- IIC\_SDA >> IIC\_SDA [1,4]
- 4052\_A >> 4052\_A [1]
- 4052\_B >> 4052\_B [1]
- DET << DET [1]
- SP\_L << SP\_L [4]
- SP\_R << SP\_R [4]
- LIN\_R << LIN\_R [2]
- LIN\_L << LIN\_L [2]
- AU\_L << AU\_L [2]
- AU\_R << AU\_R [2]

- AOP-VREF << AOP-VREF [5,7]
- +12V << +12V [2,5,7]
- +5V << +5V [2,4,5,6]
- POWER

<b>UTREK EX</b>	Guangzhou panyu car audio equipment co., LTD
Design:WeiShiLie	Model: 4000457
Check:	Block: AUDIO Rev A
Approve:	Date: 2012-2-23 Sheet 3 of 7



<b>UTREK 艾特</b>	Guangzhou panyu car audio equipment co., LTD
Design:WeiShiLie	Model: 4000457
Check:	Block: OPT+SPDIF Rev A
Approve:	Date: 2013-2-23 Sheet 4 of 7



AOP-VREF << AOP-VREF [3,7]  
 +12V << +12V [2,3,7]  
 +5V << +5V [2,3,4,6]

BL\_MUT\_A >> BL\_MUT\_A [7]

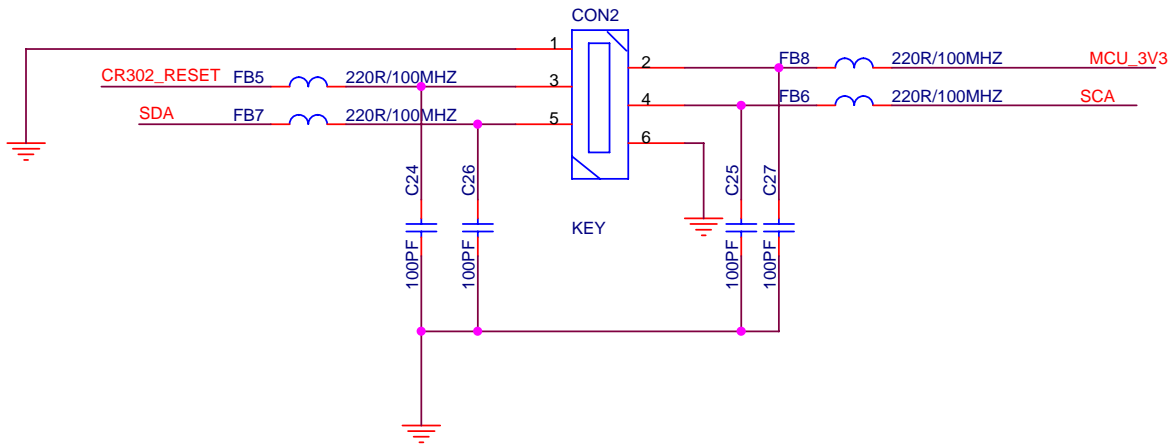
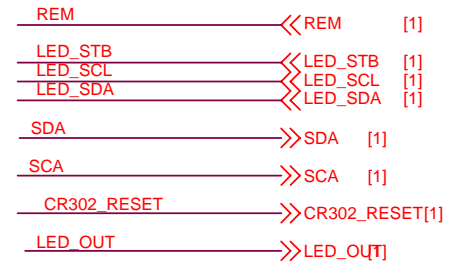
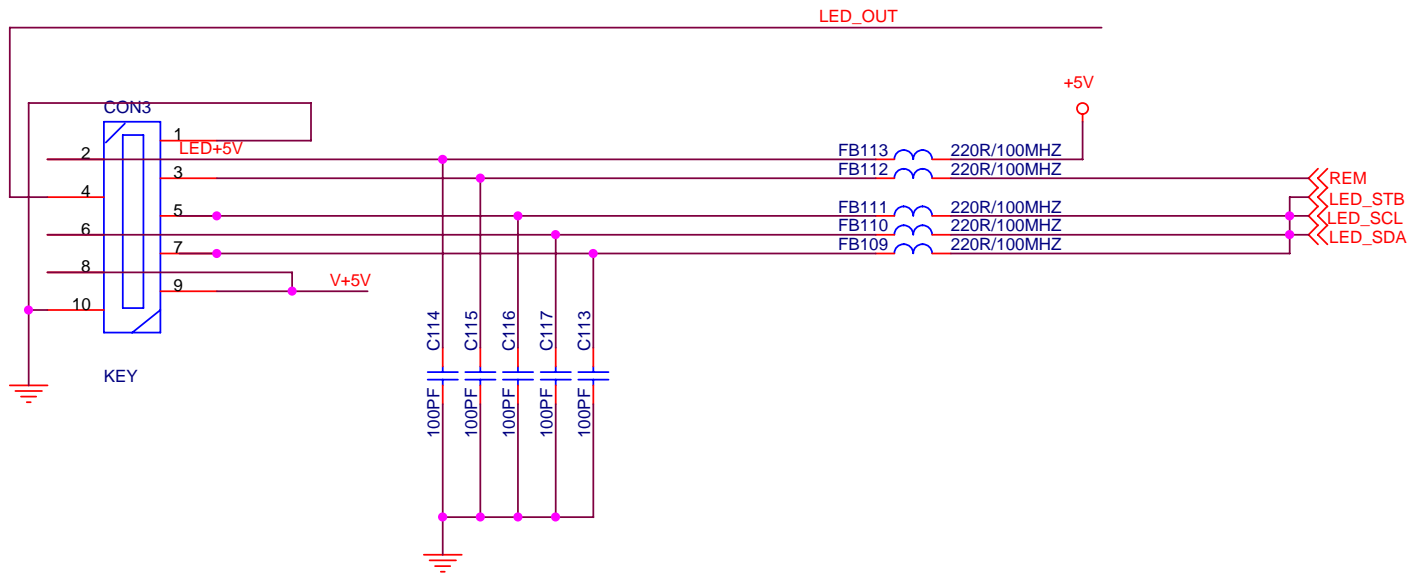
BL_P	>> BL_P [1]
BACKWARD	>> BACKWARD [1]
FORWARD	>> FORWARD [1]
BL_MUT	>> BL_MUT [1]
pwr	>> pwr [1]
LED1	>> LED1 [1]

MCU

STANDBY << STANDBY [1,7]  
 Blue\_L << Blue\_L [3]  
 Blue\_R << Blue\_R [3]

BT\_POWER >> BT\_POWER [1]

<b>UTREK EX</b>	Guangzhou panyu car audio equipment co., LTD
Design: WEISHILIE	Model: 4000457
Check:	Block: BLUETOOTH Rev A
Approve:	Date: 2013-2-23 Sheet 5 of 7



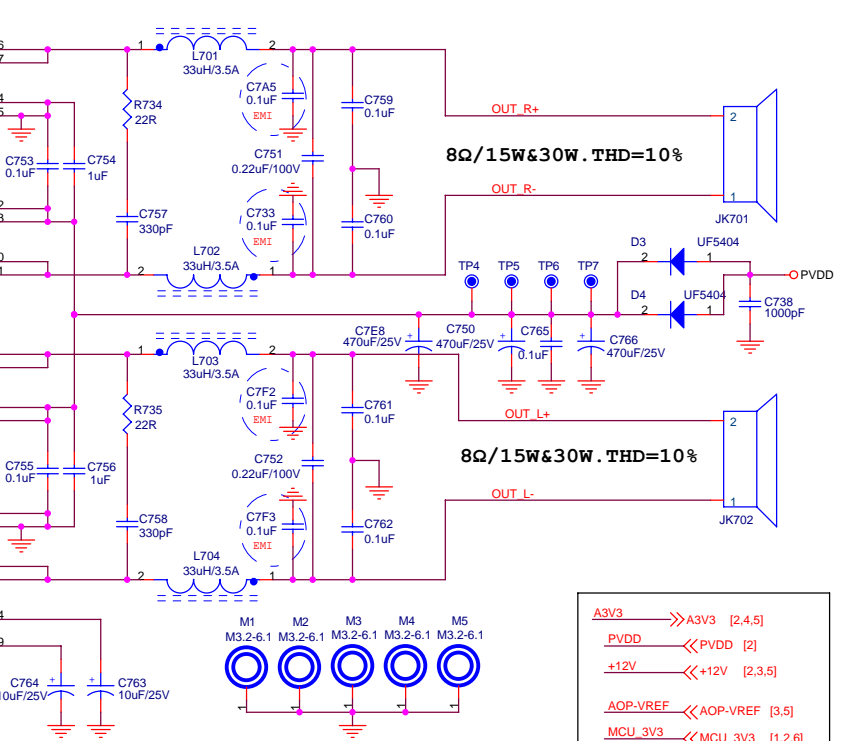
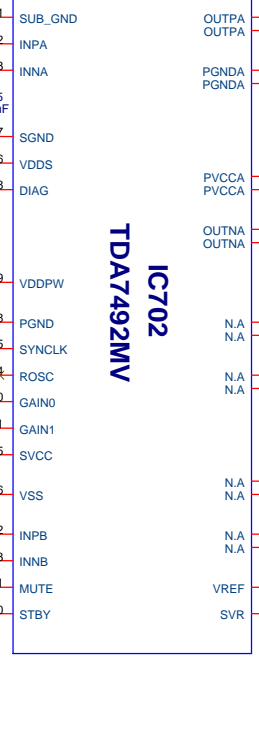
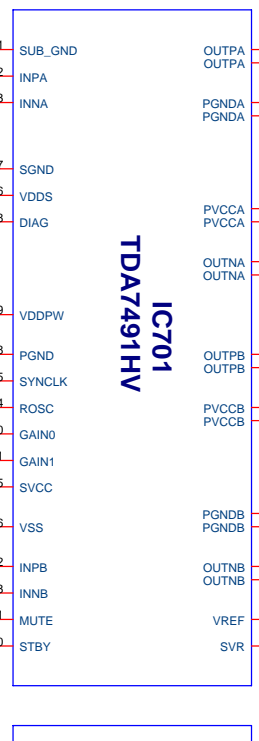
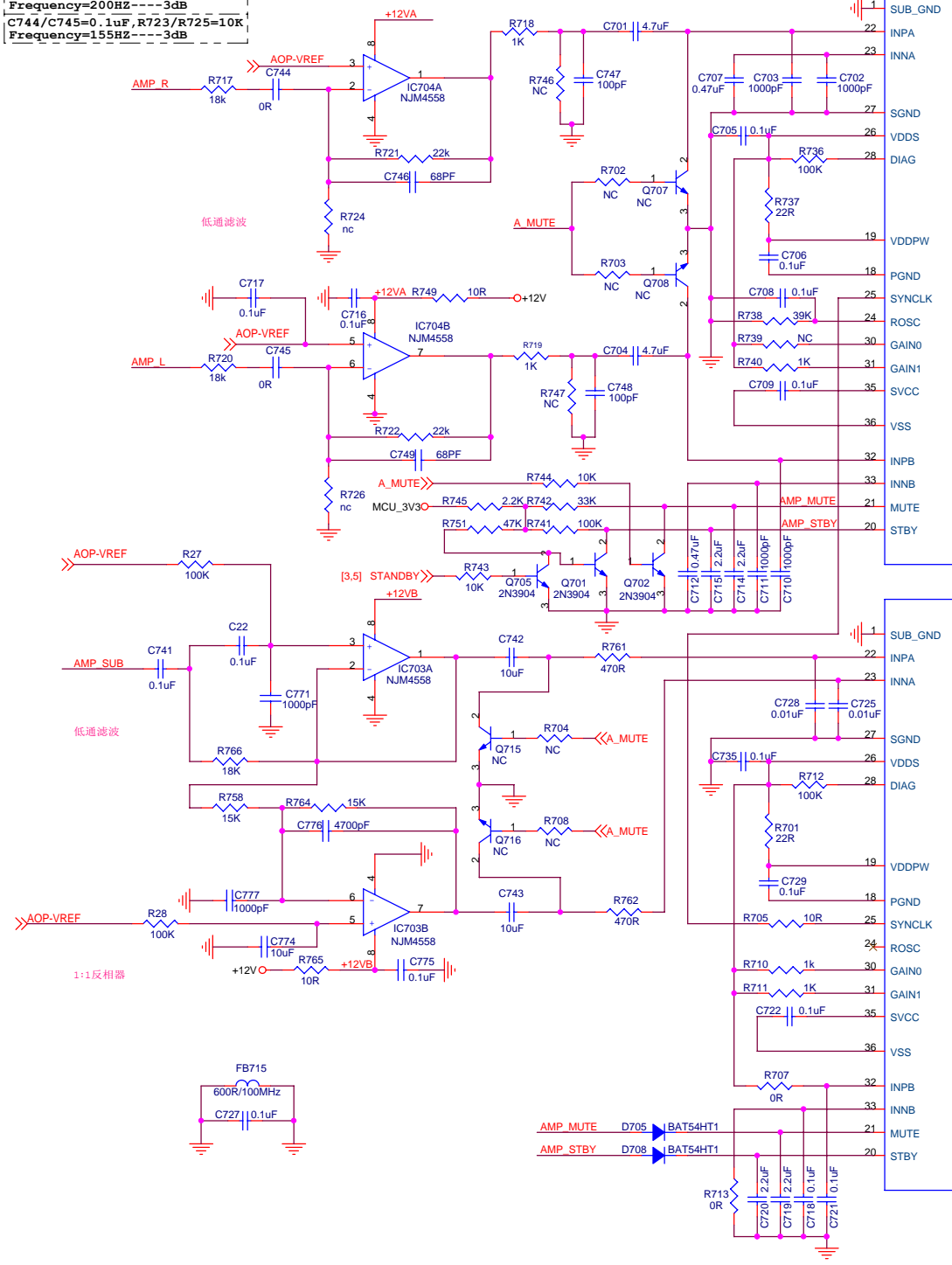
<b>UTREK 优太</b>	Guangzhou panyu car audio equipment co., LTD
Design:WeiShiLie	Model: 4000457
Check:	Block: Display+Control Rev A
Approve:	Date:2013-2-23 Sheet 6 of 7

NOTE:AL/AR Crossover Frequency:160HZ

C744/C745=0.082uF,R723/R725=10k  
Frequency=200HZ----3dB

C744/C745=0.1uF,R723/R725=10K  
Frequency=155HZ----3dB

C744/C745=0.15uF,R723/R725=10K  
Frequency=130HZ----3dB



A3V3	→	A3V3 [2,4,5]
PVDD	←	PVDD [2]
+12V	←	+12V [2,3,5]
AOP-VREF	←	AOP-VREF [3,5]
MCU_3V3	←	MCU_3V3 [1,2,6]

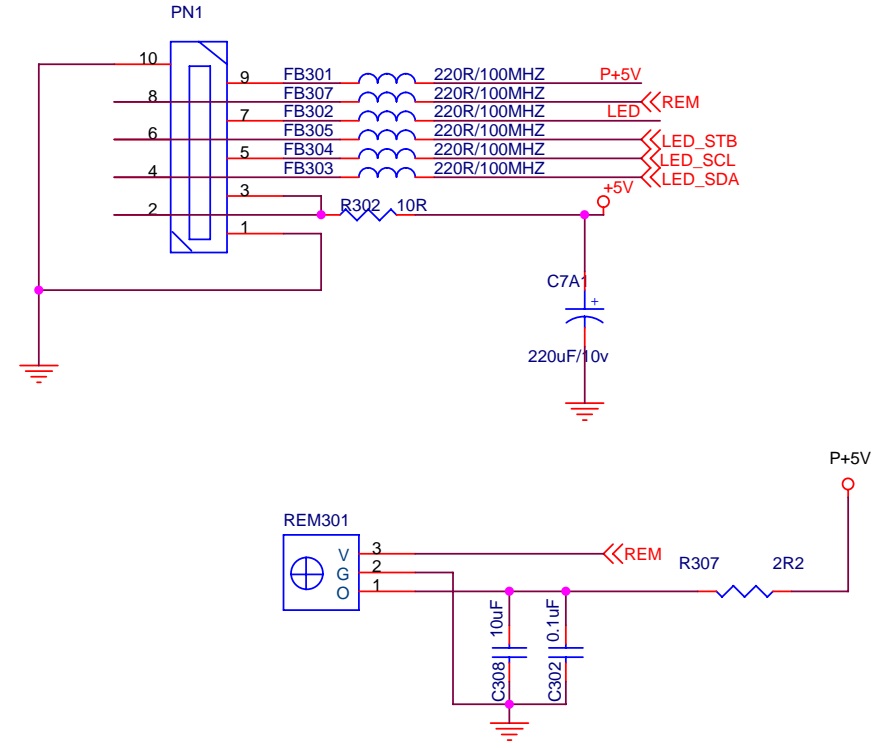
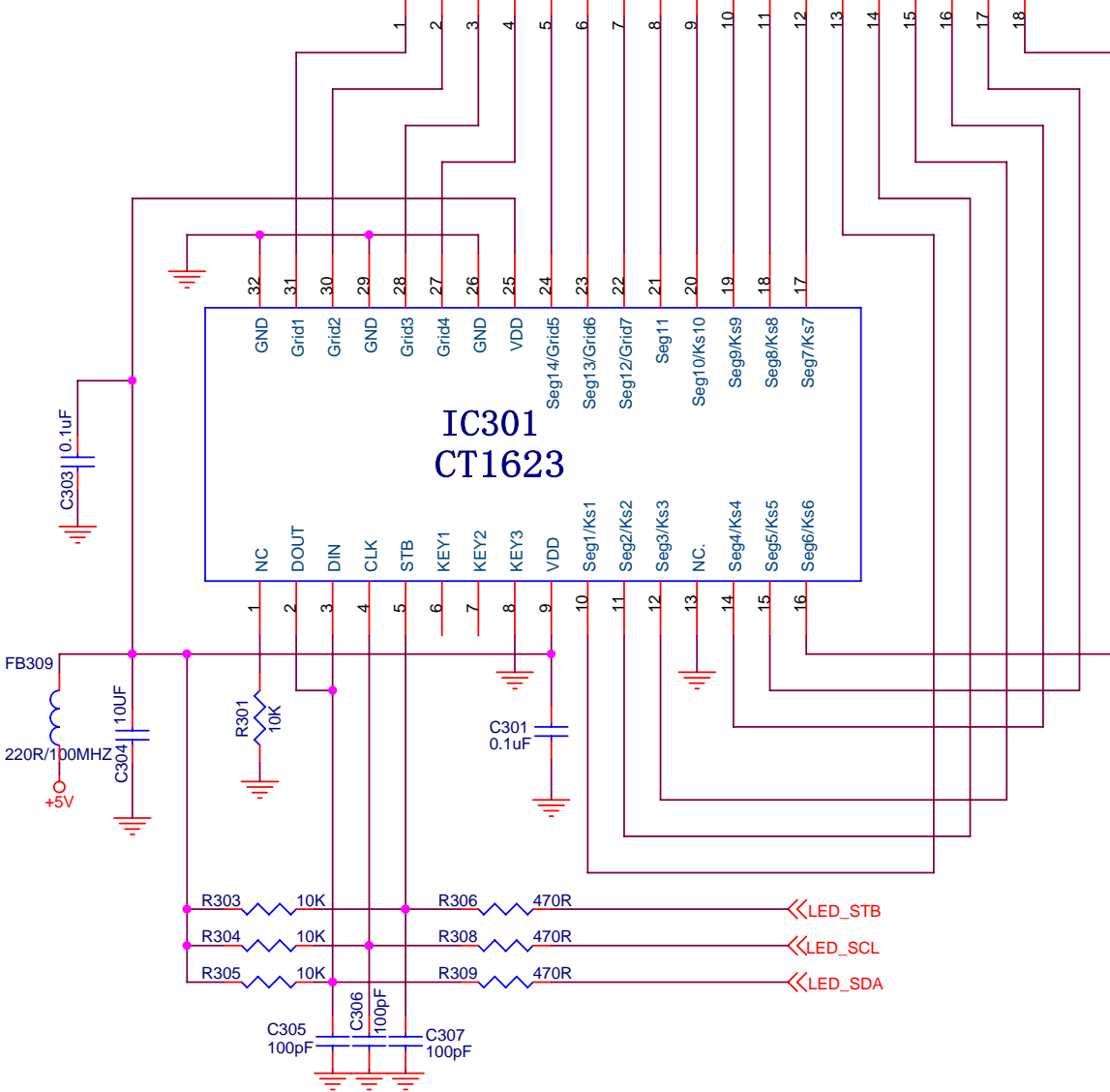
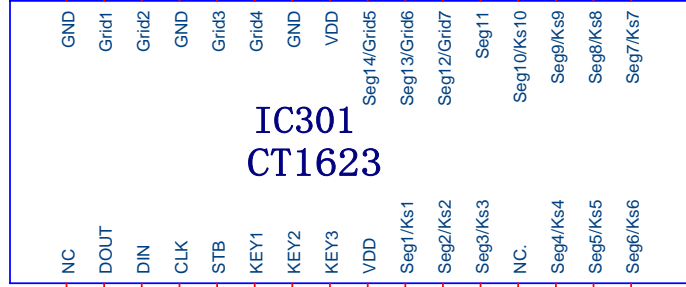
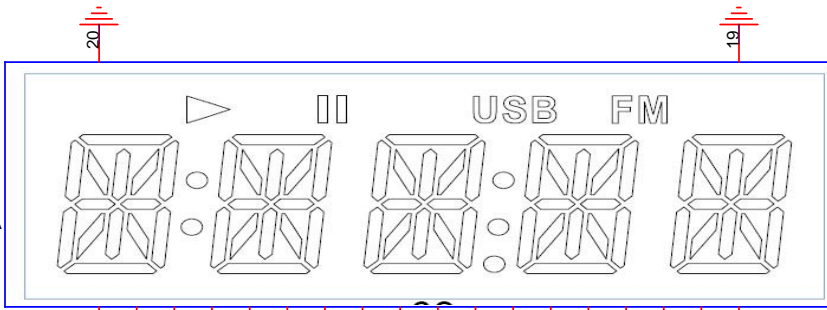
POWER

<b>UTREK EX</b>		Guangzhou panyu car audio equipment co., LTD	
Design:WeiShiLie	Model: 4000457		
Check:	Block: Amplifier	Rev A	
Approve:	Date: 2013-2-23	Sheet 7 of 7	

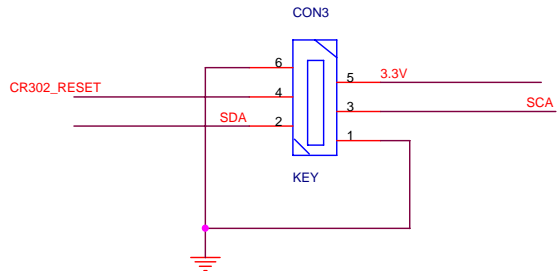
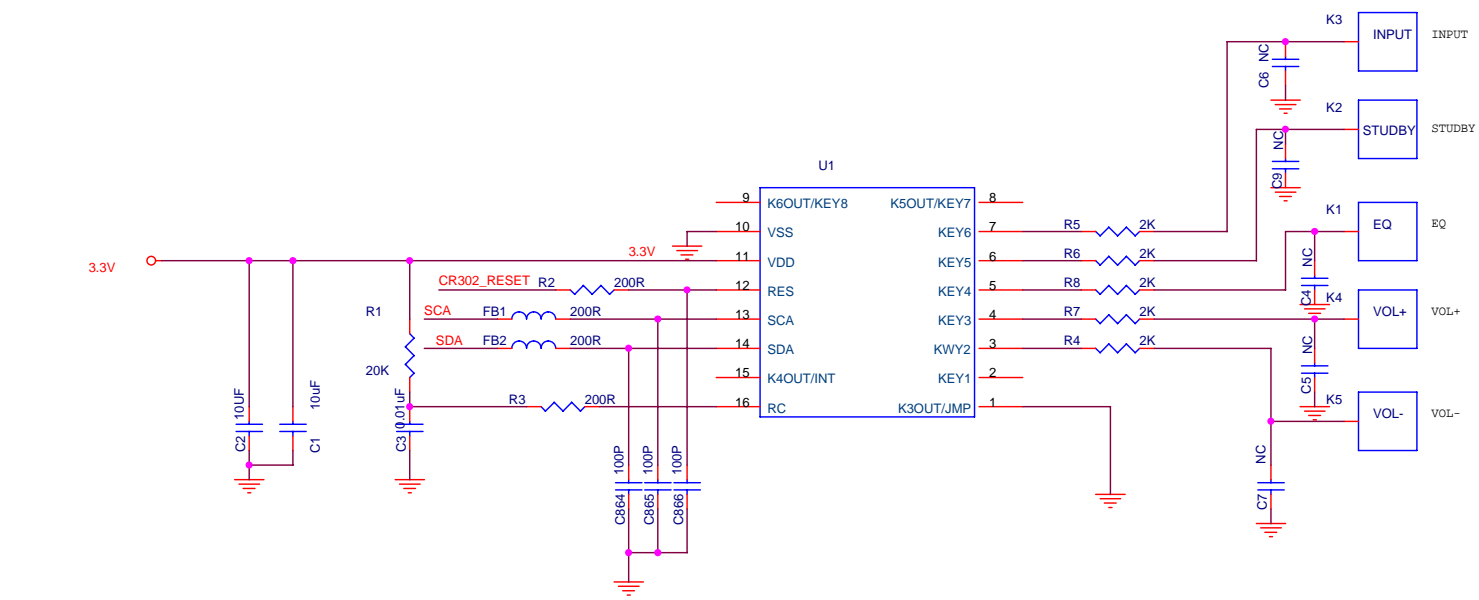
- AMP\_SUB ← AMP\_SUB [3]
- AMP\_L ← AMP\_L [3]
- AMP\_R ← AMP\_R [3]
- Audio Mute ← Audio\_Mute [1]
- STANDBY ← STANDBY [1,5]
- BL\_MUT\_A → BL\_MUT\_A [5]



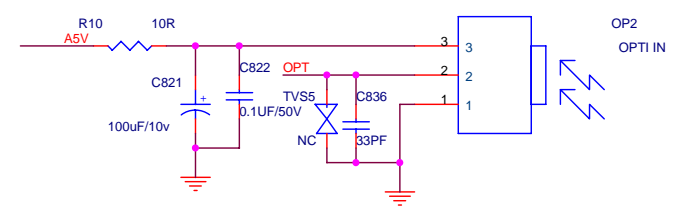
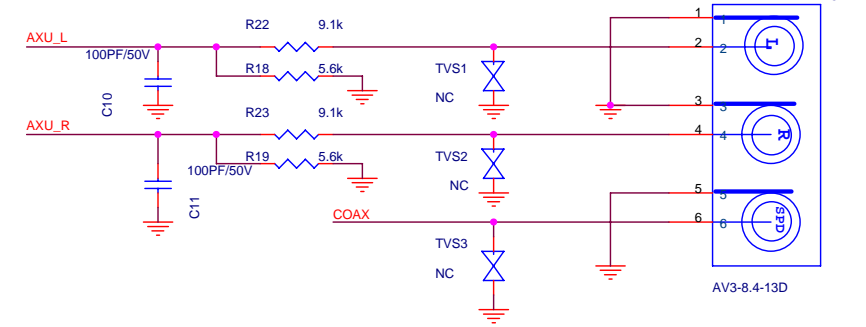
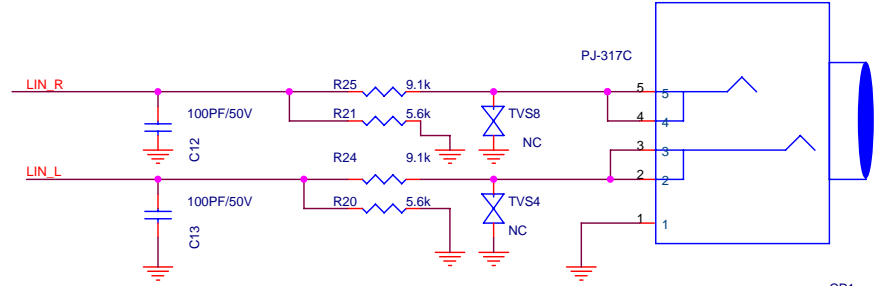
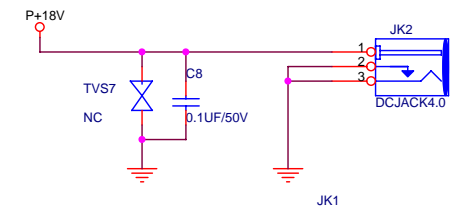
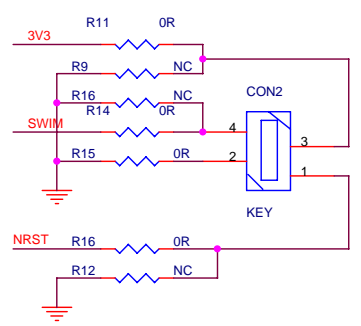
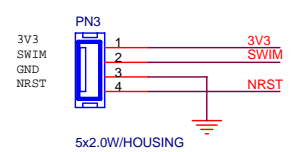
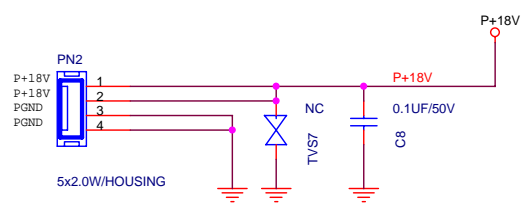
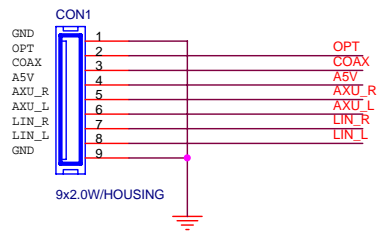
**LED301  
ATA6022XA**



ST (TDA749X) +Bluetooth		
Title: Display+Control		
Size A3	Document Number: 4000457	Rev 1.0
Design by: WeiShilie		Checked by:
Date: 2013-4-13		Sheet: 1 of 1



ST (TDA749X) +Bluetooth		
Title: KEY		
Size A3	Document Number: 4000457	Rev 1.0
Design by: WeiShilie	Checked by:	
Date: 2013-4-13	Sheet: 1 of 1	



<b>ST (TDA749X) +Bluetooth</b>		
<b>Title: INPUT</b>		
<b>Size</b> A3	<b>Document Number:</b> 4000457	<b>Rev</b> 1.0
<b>Design by:</b> WeiShilie		<b>Checked by:</b>
<b>Date:</b> 2013-4-13		<b>Sheet:</b> 1 of 1