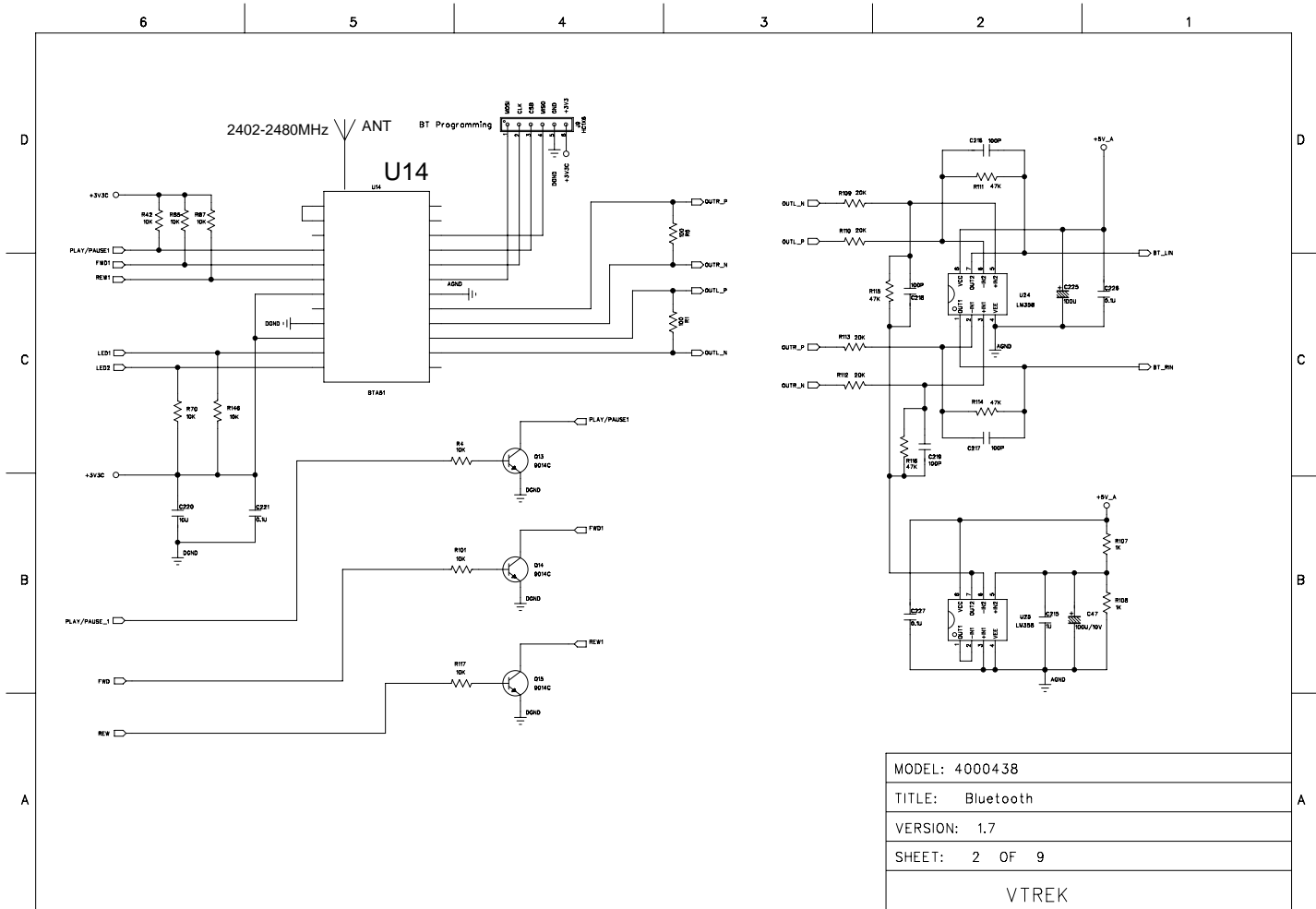
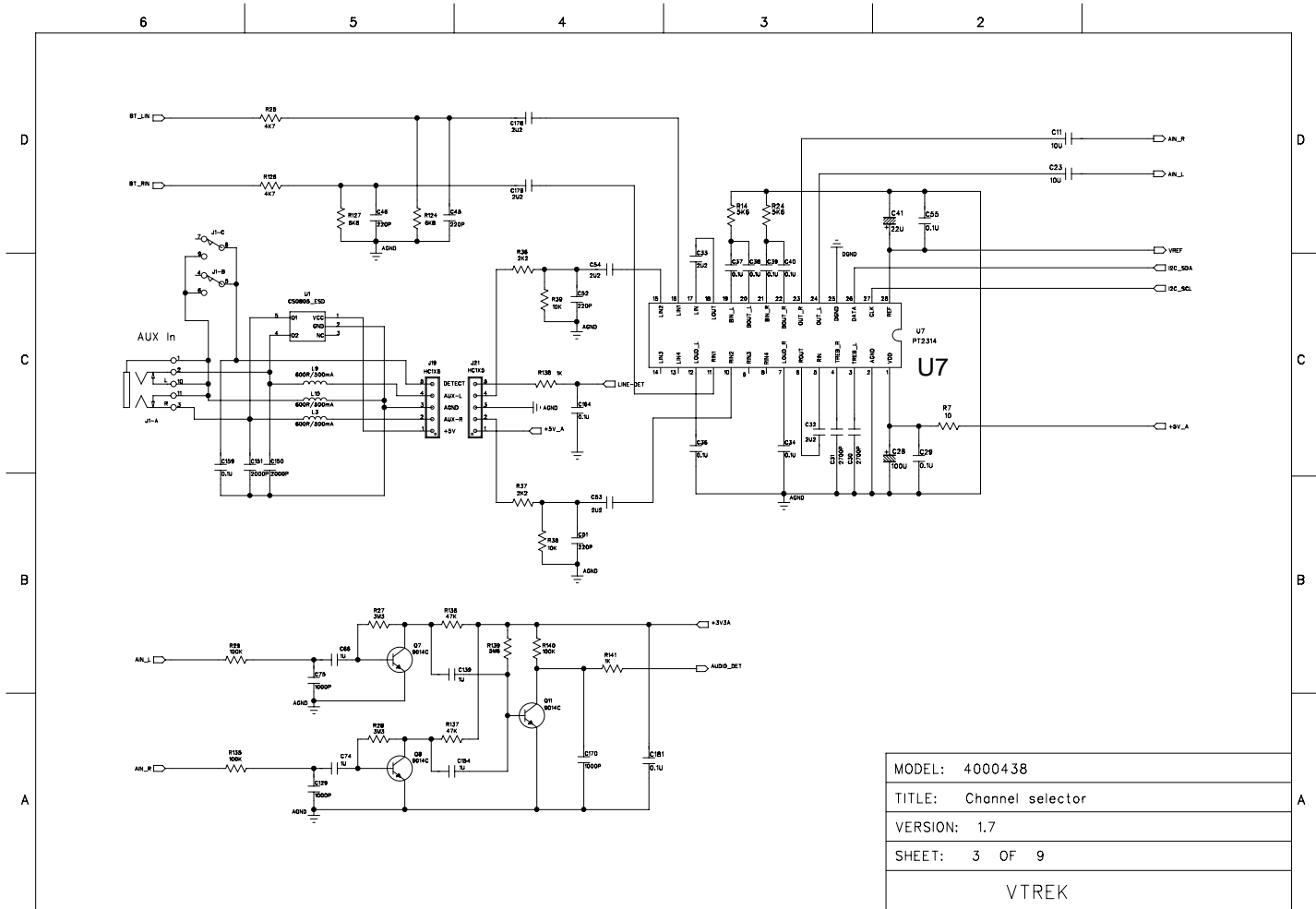


MODEL: 4000438
TITLE: MCU+Key+Remote Sensor
VERSION: 1.71
SHEET: 1 OF 9
VTREK



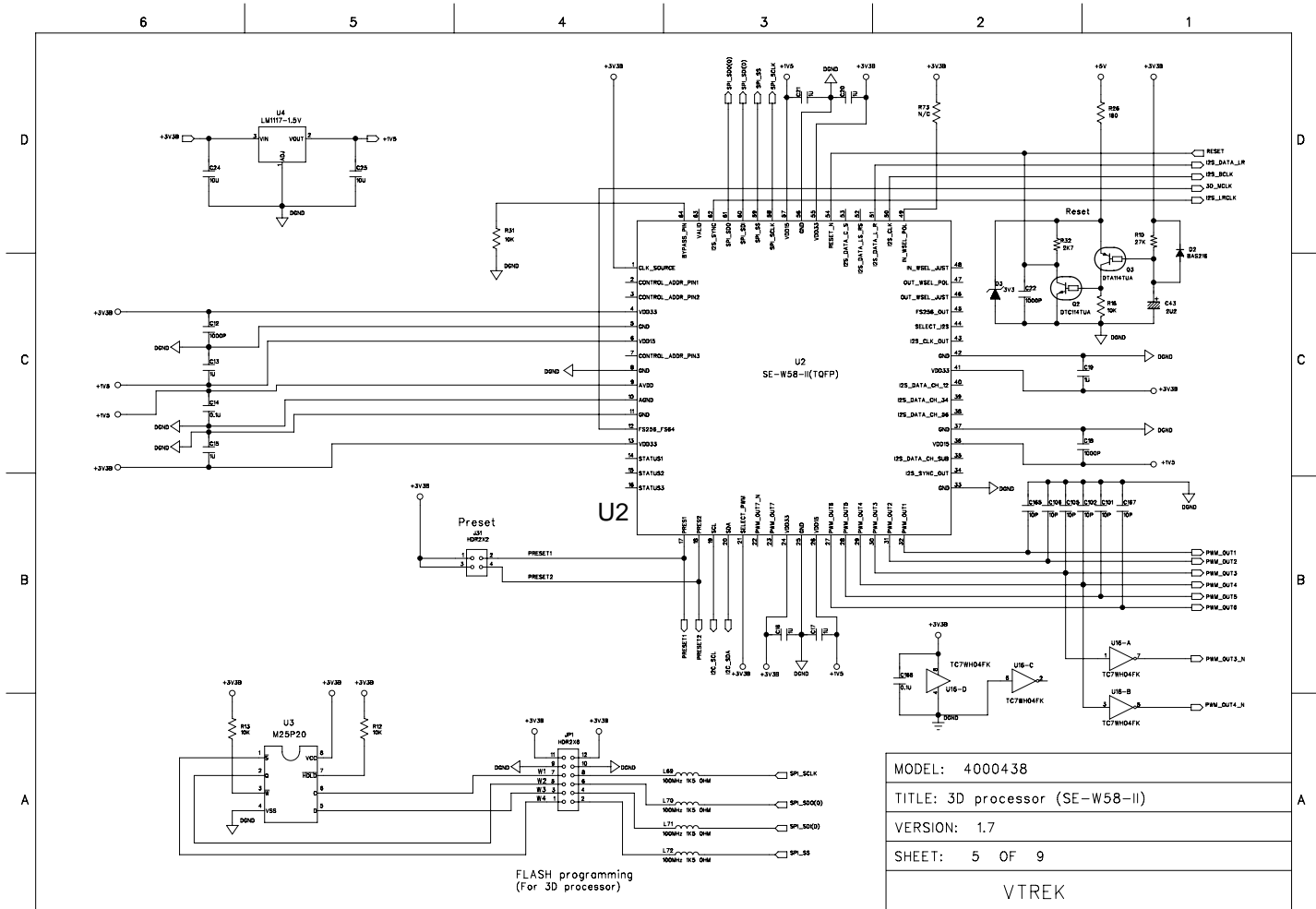
MODEL: 4000438
TITLE: Bluetooth
VERSION: 1.7
SHEET: 2 OF 9

VTREK



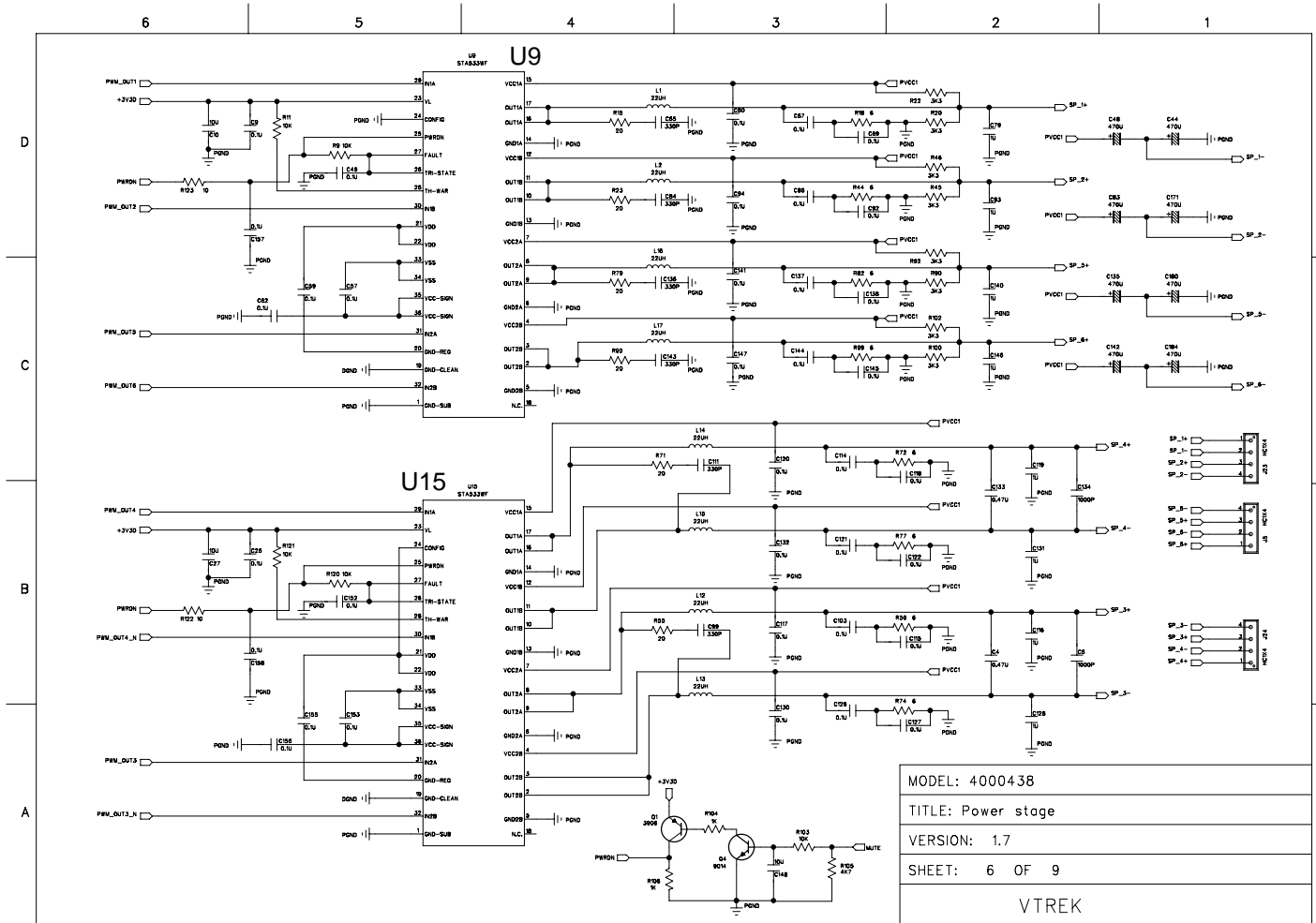
MODEL: 4000438
TITLE: Channel selector
VERSION: 1.7
SHEET: 3 OF 9
VTREK

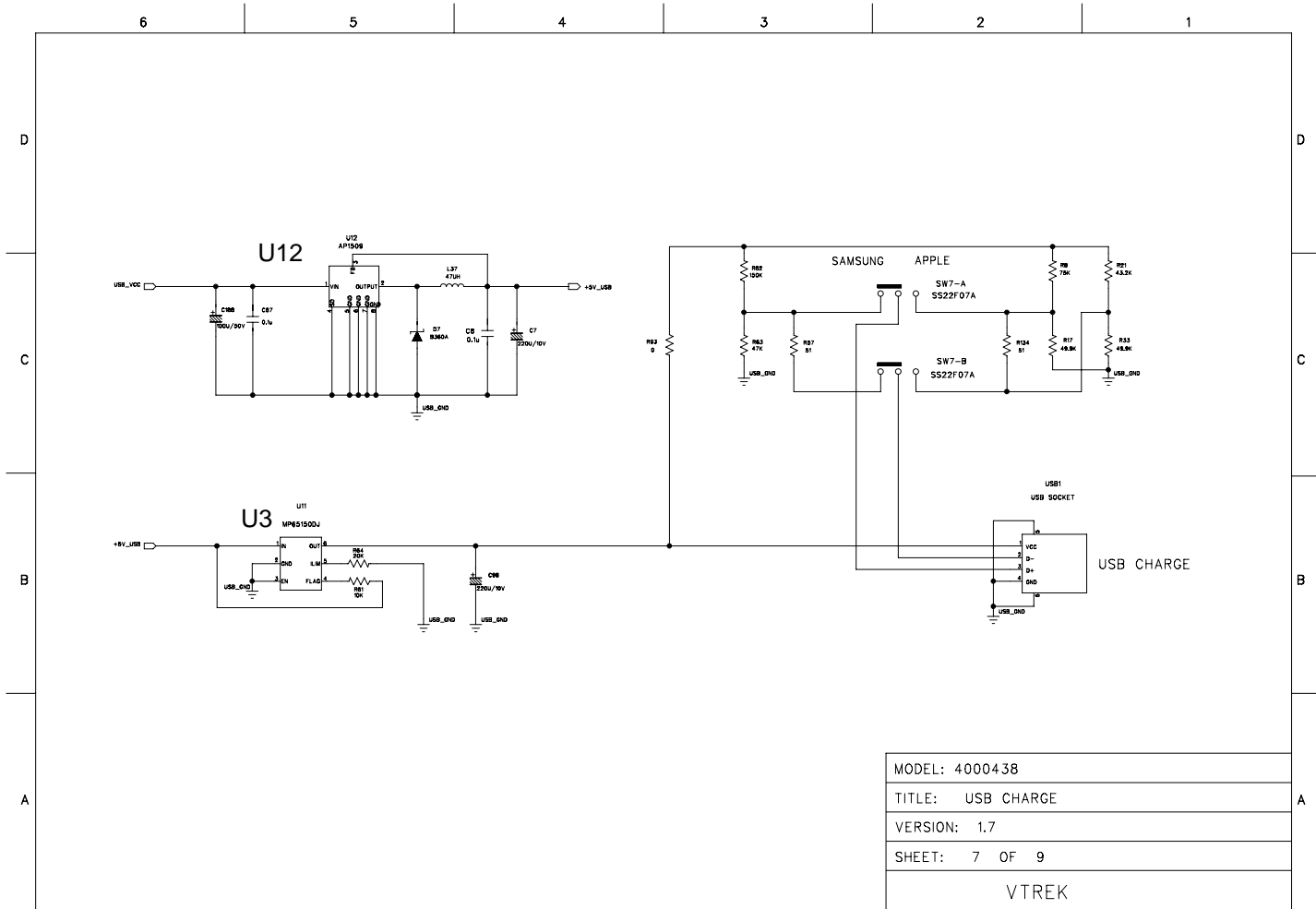




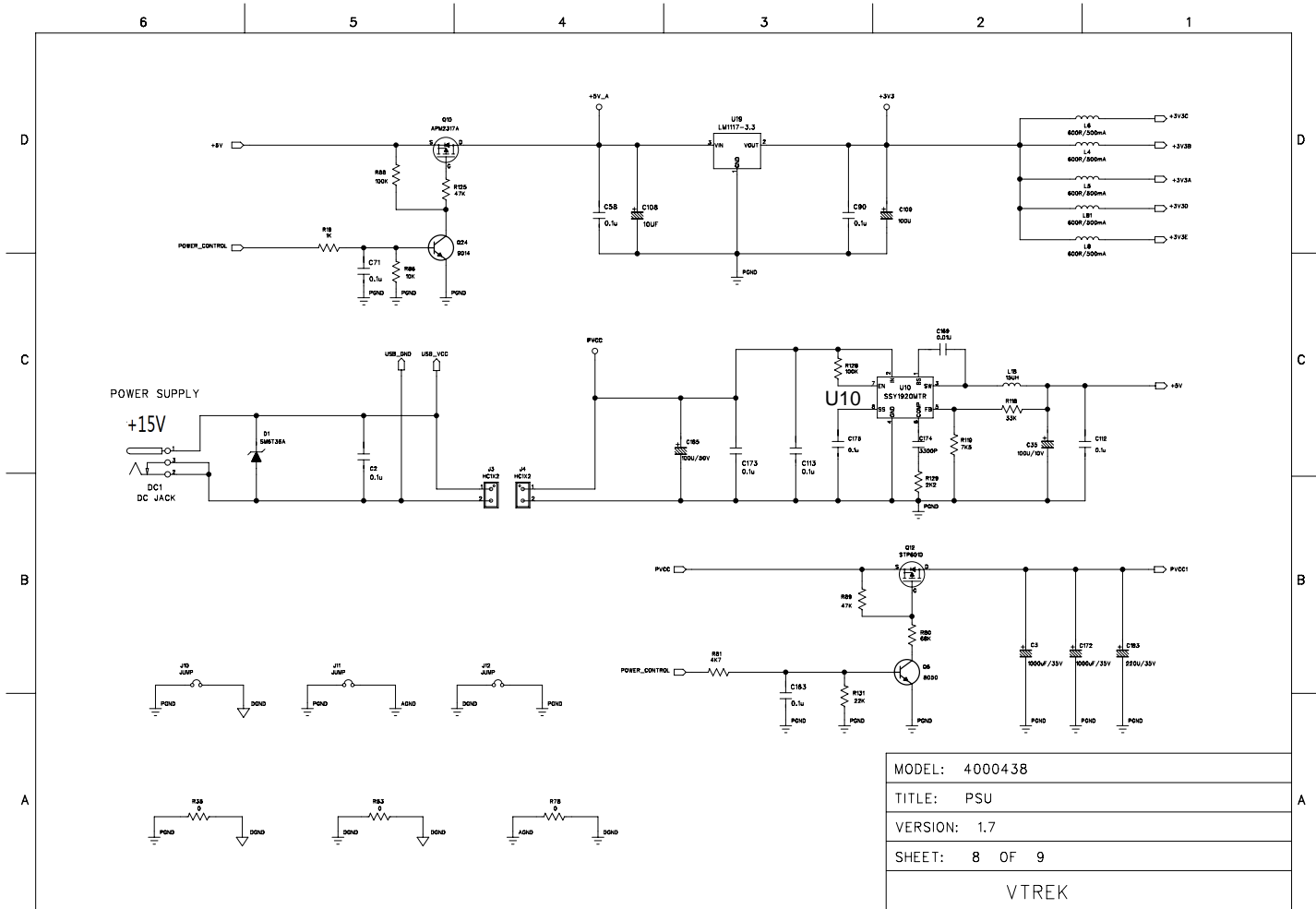
MODEL: 4000438  
 TITLE: 3D processor (SE-W58-II)  
 VERSION: 1.7  
 SHEET: 5 OF 9  
 VTREK

FLASH programming  
 (For 3D processor)



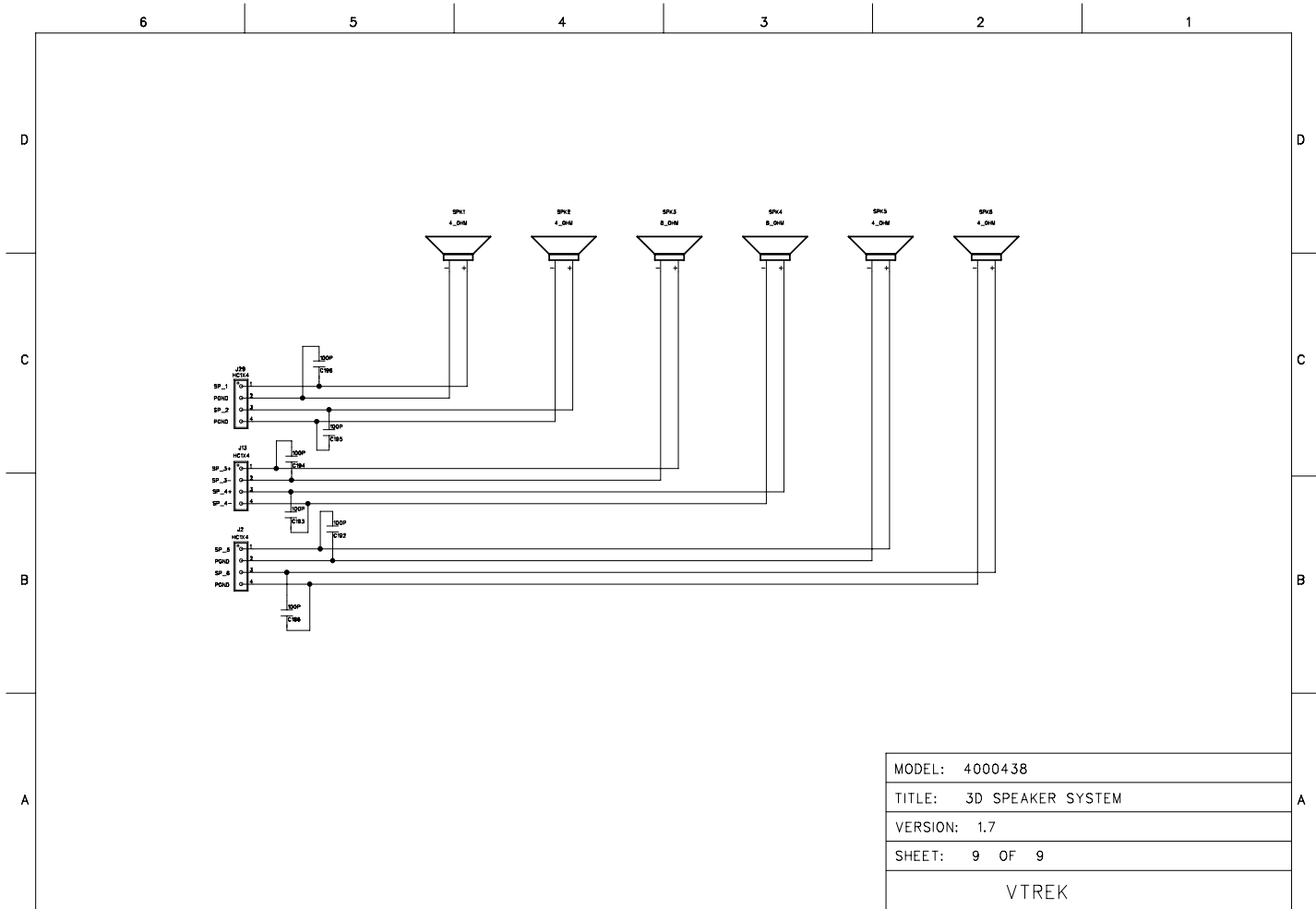


MODEL: 4000438
TITLE: USB CHARGE
VERSION: 1.7
SHEET: 7 OF 9
VTREK



MODEL:	4000438
TITLE:	PSU
VERSION:	1.7
SHEET:	8 OF 9
VTREK	





MODEL: 4000438
TITLE: 3D SPEAKER SYSTEM
VERSION: 1.7
SHEET: 9 OF 9
VTREK

REVISION RECORD		
ECO NO:	APPROVED:	DATE:

D

D

C

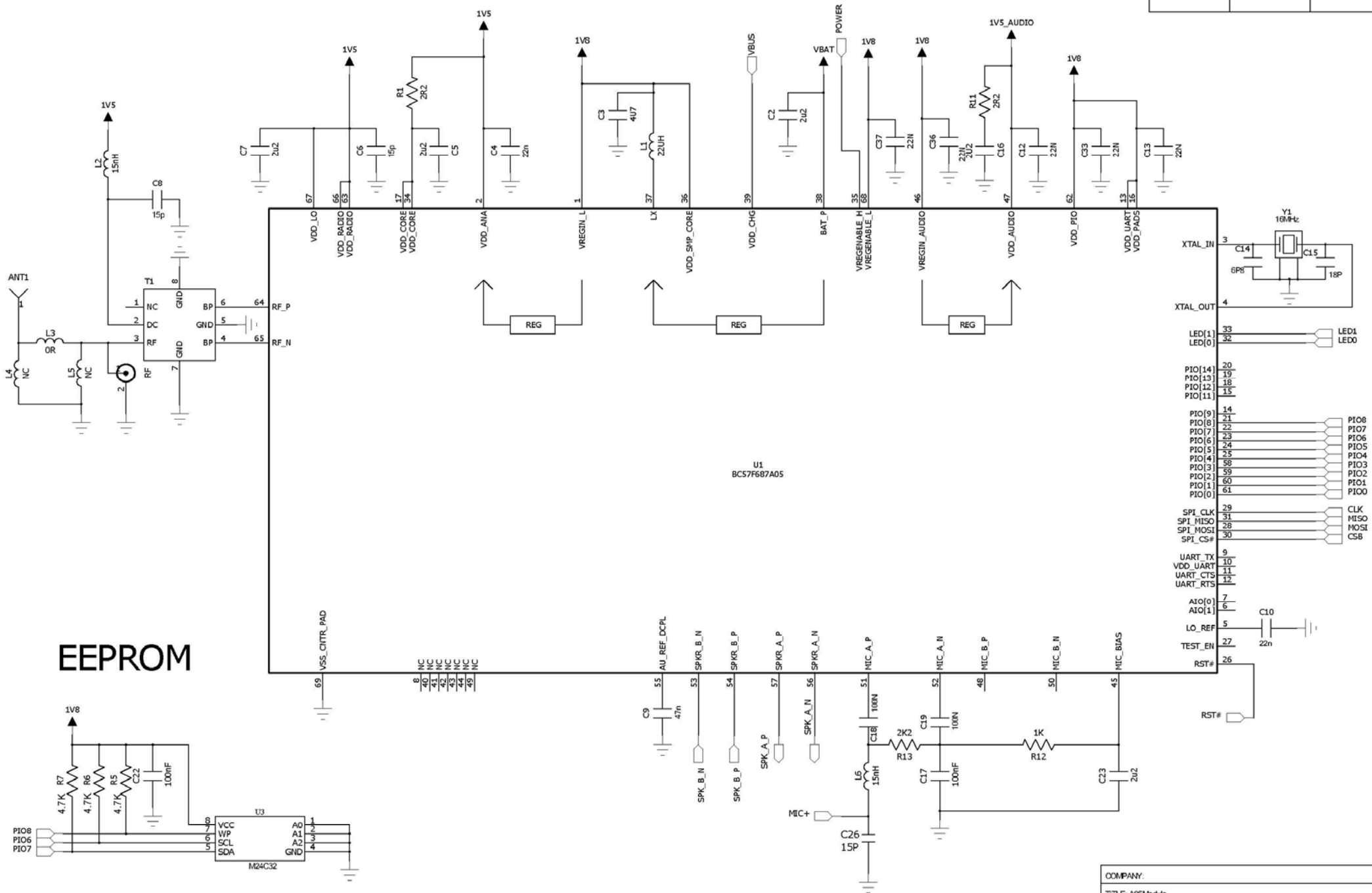
C

B

B

A

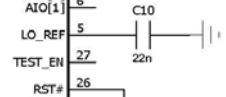
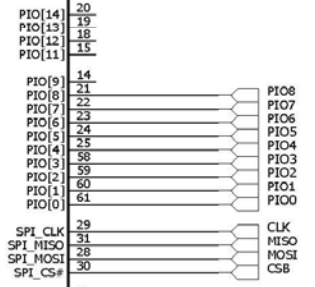
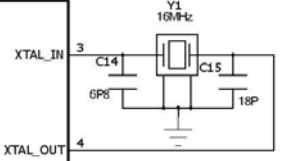
A



**EEPROM**

U1  
BCS7F687A05

M24C32



COMPANY:		
TITLE: A05Module		
DRAWN:	DATED:2011/04/20	
CHECKED:	DATED:	SHEET: 1 OF 1
RELEASED:	DATED:	REV: