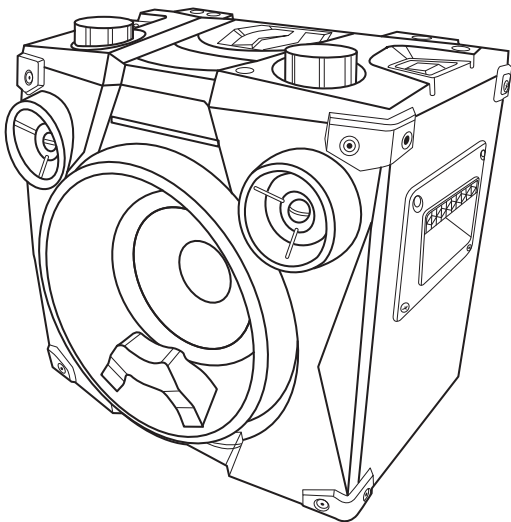


amazonbasics



**Party Speaker - Wireless PA Speaker with Lights, Radio, Bass Boost, Mic Input and USB Charging**

**Bocina de Fiesta - Bocina PA Inalámbrica con Luces, Radio, Acentuación de Graves, Entrada de Micrófono y Puerto USB de Carga**

**Enceinte de Soirée - Enceinte PA sans Fil avec Lumières, Radio, Amplification des Basses, Entrée Micro et Port de Chargement USB**

**B07MRHF9GP**



English

English .....	3
Español .....	15
Français .....	26

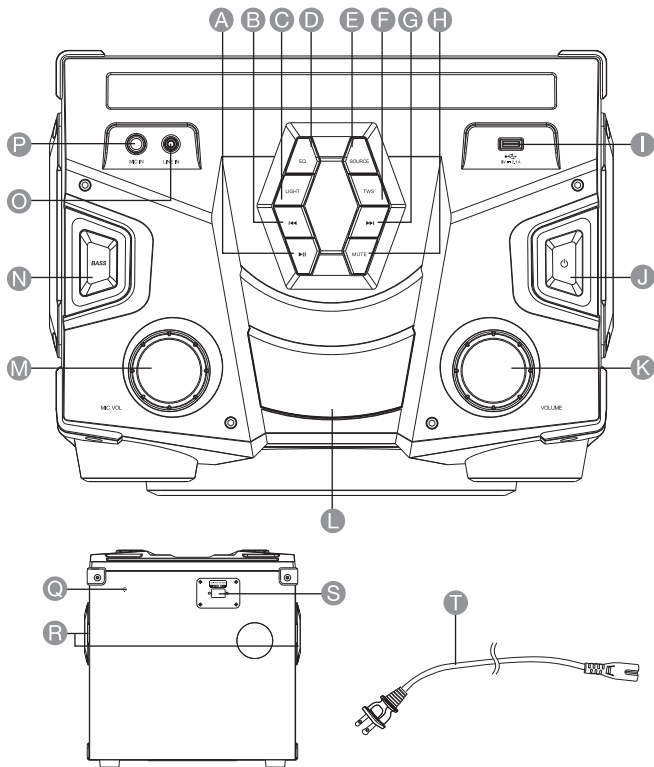
Español

Français

# Welcome Guide • English

## Contents:

Before getting started, ensure the package contains the following components:



- |   |                       |   |                        |
|---|-----------------------|---|------------------------|
| A | Play/pause button     | K | Volume knob            |
| B | Previous track button | L | Display                |
| C | LIGHT button          | M | Microphone volume knob |
| D | EQ button             | N | BASS button            |
| E | SOURCE button         | O | LINE IN socket         |
| F | TWS button            | P | MIC IN socket          |
| G | Next track button     | Q | FM antenna             |
| H | Mute button           | R | Handles                |
| I | USB slot              | S | Power socket           |
| J | Power button          | T | Power cable            |

## IMPORTANT SAFETY INSTRUCTIONS



Read these instructions carefully and retain them for future use. If this product is passed to a third party, then these instructions must be included.

When using electrical appliances, basic safety precautions should always be followed to reduce the risk of fire, electric shock, and/or injury to persons including the following:

- Read these instructions.
- Keep these instructions.
- Heed all instructions.
- Follow all instructions.
- Do not use this apparatus near water.
- Clean only with dry cloth.
- Do not block any ventilation openings. Install in accordance with the manufacturer's instructions.
- Do not install near any heat sources such as radiators, heat registers, stoves, or other apparatus (including amplifiers) that produce heat.
- Do not defeat the safety purpose of the polarized plug. A polarized plug has two blades with one wider than the other. The wide blade is provided for your safety. If the provided plug does not fit into your outlet, consult an electrician for replacement of the obsolete outlet.

- Protect the power cord from being walked on or pinched particularly at plugs, convenience receptacles, and the point where they exit from the apparatus.
- Only use attachments/accessories specified by the manufacturer.
- When a cart is used, use caution when moving the cart/apparatus combination to avoid injury from tip-over.
- Unplug this apparatus during lightning storms or when unused for long period of time.
- Refer all servicing to qualified service personnel. Servicing is required when the apparatus has been damaged in any way, such as if the power-supply cord or plug is damaged, liquid has spilled or objects have fallen into the apparatus, or if the apparatus has been exposed to rain or moisture, does not operate normally, or has been dropped.

**⚠ WARNING** To reduce the risk of fire or electric shock, do not expose this apparatus to rain or moisture.

**⚠ WARNING** Batteries shall not be exposed to excessive heat such as sunshine, fire or the like.

- Connect the power plug to a readily operable mains socket outlet so that in case of an emergency the product can be unplugged immediately.

## Battery Warnings

- The battery contained in this product is non-replaceable. Do not throw the product into a fire.
- Do not leave the battery charging for a prolonged period of time when the product is not in use.
- Do not charge overnight.
- If the product appears to be bulging or shows other undesirable phenomena (e.g. excess noise), stop using it immediately and contact customer services.
- Do not drop or impact this product.
- Do not cover while charging. Charge in a well-ventilated environment.
- Charge this product once every 3 months to avoid shortening its battery life.
- Batteries produce heat when charging and discharging. If the product becomes too hot to touch, turn it off and unplug it immediately.
- Charge this product only with a compatible power source from reputable manufacturers.
- If the battery leaks avoid contact with skin and eyes. Rinse affected areas immediately with plenty of clean water, then consult a doctor.

# Symbols Explanation



This product is classified as protection class II. This means the product is equipped with reinforced or double insulation between the mains supply circuit and the output voltage or the casing. Therefore it does not require a safety connection to an electrical earth (ground).



Direct current (DC).



Alternating current (AC).

## Intended Use

- This product is intended for household use only. It is not intended for commercial use.
- This product is intended to be used in dry indoor areas only.
- No liability will be accepted for damages resulting from improper use or non-compliance with these instructions.

## Before First Use

- Check for transport damages.
- Before connecting the product to the power supply, check that the power supply voltage and current rating corresponds with the power supply details shown on the product rating label.



**DANGER**

**Risk of suffocation!** Keep any packaging materials away from children – these materials are a potential source of danger, e.g. suffocation.

## Operation

### Switching on/off

- Press and hold the power button (J) until "ON" or "OFF" is displayed on the screen.

## Charging

- Connect the power cable (T) to a suitable power outlet and to the power socket (S) at the back of the speaker.
- Switch on the product.
- The charging status is displayed with 4 horizontal bars.

Battery bar 4 stays on	100 %
Battery bar 3 flashes	≤75 %
Battery bar 2 flashes	≤50 %
Battery bar 1 flashes	≤25 %

- The product is fully charged when all 4 battery bars stop flashing.

**⚠ NOTICE**

The product can still be charged when it is switched off. The battery indicator is not available in such case.

**⚠ NOTICE**

While the product is switched on, short press the power button (J) to display the battery status.

## Bluetooth® mode

**⚠ NOTICE**

Bluetooth pairing is required if the speaker is used the first time with a new Bluetooth enabled device.

- Set the speaker to pairing mode by pressing the SOURCE button (E) repeatedly. The display (L) shows "bt".
- Activate Bluetooth on the device you wish to pair and search for a new device.
- Select "PA Speaker" from the list on your device.
- Once the devices are paired, a double signal sounds.
- To disconnect, press and hold the play/pause button (A).

## “True Wireless Stereo” connection

**NOTICE** TWS pairing function is only available when using 2 identical speakers.

- For both speakers, set the source to Bluetooth mode by pressing the SOURCE button (E) repeatedly. The display (L) shows “bt”.
- Press the TWS button (F) on both speakers at the same time. The display shows “party select”.
- Set the speakers to “host” and “slave” according to personal preference using the **◀◀** button (B) and the **▶▶** button (G). The display of the “host” speaker shows “host” and the display of the “slave” speaker shows “slave”.

**NOTICE** The “host” speaker receives Bluetooth signals and is set as the left channel by default.

- To disconnect the TWS connection, press and hold both TWS buttons.

## Music playback

**NOTICE** To switch between ROCK, JAZZ, SABA, POP, BALA and FUNK EQ modes, press the EQ button (D) repeatedly.

**NOTICE** Press the BASS button (N) to enable or disable bass mode.

**▶||** (A): Press to play/pause the playback

**◀◀** (B): Press to return to the previous track.

**▶▶** (G): Press to skip to the next track.

Mute (H): Press to enable or disable mute function.

Volume knob (K): Turn clockwise to increase the volume and anti-clockwise to decrease the volume.

## Microphone

- Turn the microphone volume knob (M) anti-clockwise to the lowest volume.
- Plug in a microphone (not included) into the MIC IN socket (P).
- Turn the microphone volume knob (M) to the desired volume.



## USB mode

 **NOTICE** The USB slot (I) can be used as a charging port for digital devices.

- Set the speaker to USB mode by pressing the SOURCE button (E) repeatedly. The display (L) shows "USB".
- Connect a USB drive with compatible audio tracks to the USB slot (I).
- The product displays the amount of folders with playable files and the total number of music tracks in the USB drive.
- Playback starts automatically, if not, press the ►► button (A).

 **NOTICE** When reconnecting the same USB drive, the product automatically resumes with the last title played.

## Line-in mode

 **NOTICE** Playback buttons are not available in line-in mode.

- Set the speaker to line-in mode by pressing the SOURCE button (E) repeatedly. The display (L) shows "LINE".
- Connect a 3.5 mm audio cable (not included) to the LINE IN socket (O) and to the desired playback device, e.g. MP3 player.


## Tuner (FM radio) mode

 **NOTICE** Microphone playback is not available in tuner mode.

- Set the speaker to tuner mode by pressing the SOURCE button (E) repeatedly. The display (L) shows "TUN".
- Using this mode for the first time, press and hold ►► (A). The product auto-scans all available channels. The product can assign up to **XX** radio stations in its memory.
- Press ►► (A) to toggle between station number or frequency display.
- With the channel number displayed, press the ►► (G) or ◀◀ (B) button to switch to the next or previous channel from the memory.
- With the frequency displayed, press the ►► (G) or ◀◀ (B) button to fine-tune the frequency.

## Lights

- Press LIGHT button (C) repeatedly to switch between 7 LED modes or turn the lights off.

 **NOTICE** For LED modes 1, 2 and 3, press and hold the LIGHT button to change the LED color.

# Cleaning and Maintenance

**⚠ WARNING** Risk of electric shock! To prevent electric shock, unplug before cleaning.

**⚠ NOTICE** Switch the product off before cleaning.

**⚠ NOTICE** Do not immerse the electrical parts of the product in water or other liquids. Never hold the product under running water.

## Cleaning

- To clean, wipe with a soft, slightly moist cloth.
- Dry the product after cleaning.
- Never use corrosive detergents, wire brushes, abrasive scourers, metal or sharp utensils to clean the product.

## Maintenance

- Store in a cool and dry place away from children and pets, ideally in original packaging.
- Avoid any vibrations and shocks.

## Troubleshooting

Problem	Solution
The product does not switch on.	Ensure that the product is connected to the power supply.
There is no sound or the sound is distorted.	Check the volume setting.
The buttons on the product do not work.	Switch off the product and disconnect it from the power supply. Connect the product to the power supply and switch it on again.

# FCC Compliance Statement

## FCC Compliance Statement

1. This device complies with Part 15 of the FCC rules. Operation is subject to the following two conditions:
  - (1) this device may not cause harmful interference, and
  - (2) this device must accept any interference received, including interference that may cause undesired operation.
2. Changes or modifications not expressly approved by the party responsible for compliance could void the user's authority to operate the equipment.

## FCC Interference Statement

This equipment has been tested and found to comply with the limits for a Class B digital device, pursuant to part 15 of the FCC Rules. These limits are designed to provide reasonable protection against harmful interference in a residential installation. This equipment generates, uses and can radiate radio frequency energy and, if not installed and used in accordance with the instructions, may cause harmful interference to radio communications. However, there is no guarantee that interference will not occur in a particular installation. If this equipment does cause harmful interference to radio or television reception, which can be determined by turning the equipment off and on, the user is encouraged to try to correct the interference by one or more of the following measures:

- Reorient or relocate the receiving antenna.
- Increase the separation between the equipment and receiver.
- Connect the equipment into an outlet on a circuit different from that to which the receiver is connected.
- Consult the dealer or an experienced radio/TV technician for help.

## Canada IC Notice

- This device complies with Industry Canada license-exempt RSS standard(s). Operation is subject to the following two conditions:
  - (1) this device may not cause interference, and
  - (2) this device must accept any interference, including interference that may cause undesired operation of the device.
- This Class B digital apparatus complies with Canadian CAN ICES-3(B) / NMB-3(B) standard.

# Trademarks

The Bluetooth® word mark and logos are registered trademarks owned by Bluetooth SIG, Inc. and any use of such marks by Amazon.com, Inc. or its affiliates is under license.



# Specifications

Voltage/frequency:	100 – 240 V~, 50/60 Hz
Power consumption:	40 W
Playback time:	8 h (medium volume level)
Speaker output:	30 W
Supported audio format:	MP3, WMA
Driver unit:	tweeter Ø 2 in (5.1 cm), woofer Ø 6.5 in (16.5 cm)
Frequency range:	50 Hz – 20 kHz
Volume range:	Normal playback: -62 to 0 dB Bass mode: -20 to 0 dB
Sensitivity at 1 kHz:	≥86 dB
Impedance:	6 Ω
Distortion rate:	≤1 %
Radio frequency:	2.4 – 2.48 GHz
Bluetooth® version:	4.1
FM tuner band range:	87.5 – 108 MHz
Battery type:	Lead acid battery
Battery charging time:	3.5 h
Operating distance (range):	≤32.8 ft (10 m)
Working temperature:	14 to 95 °F (-10 to +35 °C)
Working humidity:	5 – 90 %
Product dimensions (W x H x D):	approx. 12.8 x 13 x 10.4 in ( 32.5 x 33 x 26.5 cm)

Product net weight:	approx. 12.8 lbs (5.8 kg)
Protection class:	Class II
USB output:	5 V $\overline{DC}$ , 2100 mA
Line-in socket:	1/8 in (3.5 mm)
Microphone socket:	1/4 in (6.35 mm)
USB drive capacity:	max. 32 GB

# Warranty Information

To obtain a copy of the warranty for this product:



Visit [amazon.com/AmazonBasics/Warranty](https://amazon.com/AmazonBasics/Warranty)

— or —



Contact Customer Service at 1-866-216-1072

## Feedback

### Love it? Hate it?

Let us know with a customer review.

---

AmazonBasics is committed to delivering customer-driven products that live up to your high standards. We encourage you to write a review sharing your experiences with the product.

Please visit: [amazon.com/review/review-your-purchases#](https://amazon.com/review/review-your-purchases#)



For further services:



Visit [amazon.com/gp/help/customer/contact-us](https://amazon.com/gp/help/customer/contact-us)

— or —



Contact Customer Service at 1-866-216-1072

**amazon**basics

[amazon.com/AmazonBasics](https://amazon.com/AmazonBasics)

MADE IN CHINA  
HECHO EN CHINA  
FABRIQUÉ EN CHINE