



Only for PV

ENGLISH

SIMPLE MANUAL

Mini Hi-Fi System

Please read this manual carefully before operating your set and retain it for future reference.

To view the instructions of advanced features, visit <http://www.lg.com> and then download Owner's Manual. Some of the content in this manual may differ from your unit.

MODEL
OJ45



www.lg.com

WARNING: This product contains chemicals known to the State of California to cause cancer and birth defects or other reproductive harm. ***Wash hands after handling.***

FCC Compliance Statement

This equipment has been tested and found to comply with the limits for a Class B digital device, pursuant to Part 15 of the FCC Rules. These limits are designed to provide reasonable protection against harmful interference in a residential installation. This equipment generates, uses, and can radiate radio frequency energy and, if not installed and used in accordance with the instructions, may cause harmful interference to radio communications. However, there is no guarantee that interference will not occur in a particular installation. If this equipment does cause harmful interference to radio or television reception, which can be determined by turning the equipment off and on, the user is encouraged to try to correct the interference by one or more of the following measures:

- Reorient or relocate the receiving antenna.
- Increase the separation between the equipment and the receiver.
- Connect the equipment to an outlet on a circuit different from that to which the receiver is connected.
- Consult the dealer or an experienced radio/TV technician for help.

This device complies with part 15 of the FCC Rules. Operation is subject to the following two conditions:

(1) this device may not cause harmful interference and
(2) this device must accept any interference received, including interference that may cause undesired operation of the device. Any changes or modifications in construction of this device which are not expressly approved by the party responsible for compliance could void the user's authority to operate the equipment.

FCC RF Radiation Exposure Statement : This equipment complies with FCC radiation exposure limits set forth for an uncontrolled environment. This transmitter must not be co-located or operating in conjunction with any other antenna or transmitter.

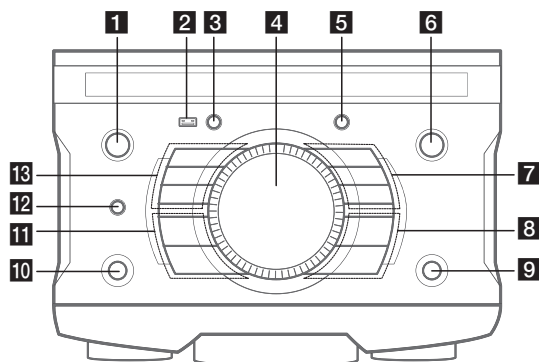
This equipment should be installed and operated with minimum distance 20 cm (7.8 inches) between the antenna and your body. Users must follow the specific operating instructions for satisfying RF exposure compliance.

Responsible Party :

LG Electronics USA, Inc.
1000 Sylvan Ave
Englewood Cliffs, NJ 07632
Tel: 1-800-243-0000



Top panel



1 (Standby)
Turns the power on or off.

2 USB Port
You can play sound files by connecting the USB device.

3 PROGRAM/MEMORY
- Stores radio stations.
- Creates a programmed list you want to listen to.

4 MASTER VOLUME
Adjust speaker volume.

5 DELETE
- Deletes a song on the programmed list.
- Deletes all the saved stations.

6 F (Function)
Selects the function and input source.

7 PRESET/FOLDER >
- Chooses a preset number for a radio station.
- Searches for a folder of MP3/WMA files.

SOUND EFFECT
Chooses sound impressions.

BASS BLAST
Press to select BASS effect directly.

8 >|| (Play/Pause)
- Starts or pauses playback.
- Selects stereo/mono.
>>>| (Skip/Search)
- Skips forward.
- Searches for a section within a track/file.
- Selects the radio stations.

9 (Open/Close)
Opens and closes the disc tray

10 LIGHTING
Turns on/off the lighting effects.

11 (Stop)
Stops playback.
||<< (Skip/Search)
- Skips backward.
- Searches for a section within a track/file.
- Selects the radio stations.

12 BLUETOOTH
Press to select **Bluetooth** function

13 PRESET/FOLDER <
- Chooses a preset number for a radio station.
- Searches for a folder of MP3/WMA files.

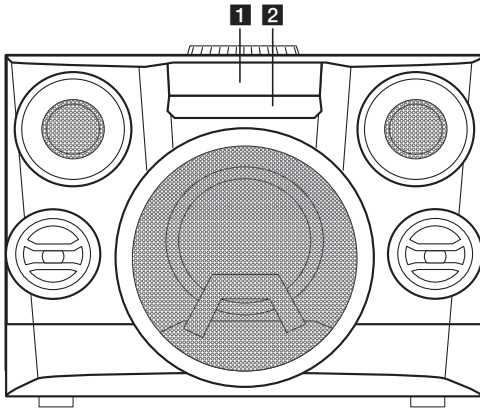
INFO

- Sees information about your music.
- Sees **Bluetooth** device name of the unit in READY.
- Sees the name of connected all **Bluetooth** device in **Bluetooth** mode.
- Sees information about your music. An MP3 file often come with ID3 tag. The tag gives the Title, Artist, Album or Time information.

REPEAT

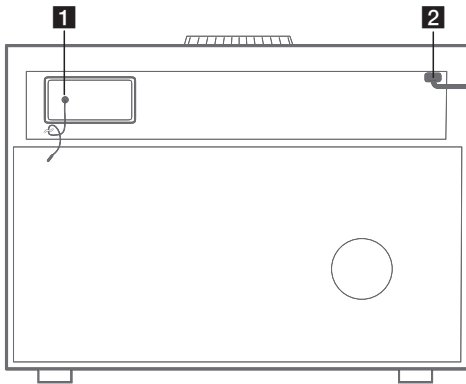
Listens to your tracks/files repeatedly or randomly.

Front panel



- 1** Display window
- 2** Disc tray

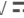
Rear panel



- 1** FM ANTENNA
- 2** POWER IN

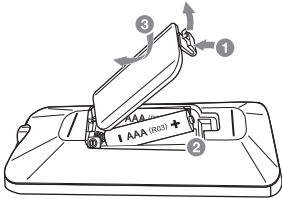
Additional Information

Specifications

Power Requirements	Refer to the main label on the unit.
Power Consumption	Refer to the main label on the unit.
Dimensions (W x H x D)	Approx. 464.6 mm x 325 mm x 342 mm (18.3 inch x 12.8 inch x 13.5 inch) With foot
Bus Power Supply (USB)	5 V  500 mA
Amplifier (Total RMS output power)	120 W RMS

Design and specifications are subject to change without notice.

Replacement of battery





A series of ten horizontal dashed lines spanning the width of the page, intended for handwriting practice.



A series of ten horizontal dashed lines spanning the width of the page, intended for writing or drawing.



LG Customer Information Center

1-800-243-0000	USA, Consumer
1-888-865-3026	USA, Commercial

Register your product Online!

www.lg.com