

# TY-ASC400

## Toshiba Wireless Sound System Operation Manual

Thank you for purchasing this Portable Sound System.  
To use this product safely, read and understand this operation manual thoroughly before using.  
After reading this manual, keep it in a safe place so that it can be referred to when necessary.

5016800



### Safety precautions

The information you need to prevent danger to the user and other people as well as property damage is described below. "Description of signs" shows different levels of danger or damage that may occur due to wrong handling.

#### Important notes

- This book is only a guide for user's operation, not a criterion for configuration.
- Only use attachments/accessories specified by the manufacturer.

	The lightning flash is intended to alert the user to the presence of dangerous voltage within the product's enclosure, and touching the internal components may result in a risk of electric shock to persons.
	The exclamation mark is intended to alert the user to the presence of important operating instructions.
	To reduce the risk of electric shock or fire, do not open the cover. Refer servicing to qualified service personnel.

#### Description of signs

**WARNING** Indicates that there is a risk of death or serious injury. **CAUTION** Indicates that there is a risk of minor injury or property damage.

#### What to do in the case of an abnormality

- Stop using the device immediately in the case of an abnormality or failure.
  - Remove the power plug from the receptacle immediately when water or any foreign object enters the interior of the device.
- It may cause a fire or electric shock. Remove the power plug immediately, and contact your dealer for a repair.

#### Power cord and power plug

- To reduce the risk of fire, electric shock or product damage, insert the power plug fully into an AC receptacle.
- If you find dust on the power plug pin or pin installation surface, remove the power plug and remove the dust.
- The mains plug or an appliance coupler is used as a disconnecting device, the disconnecting device shall remain readily operable.
- Do not insert or remove the power plug with a wet hand.
- Observe the following when handling the power cord.
  - Do not damage it.
  - Do not pull it.
  - Do not bend it forcefully.
  - Do not modify it (e.g. extension).
  - Do not place a heavy object on it.
  - Do not twist it.
  - Do not heat it.
  - Do not pinch it.
  - Do not bundle it.

- If the device will not be used for a long time, remove the power plug from the receptacle.
- Do not use any power cord other than the one that comes with the device.
- Do not use the power cord that comes with the device for any other product.

#### Usage

- To reduce the risk of fire, electric shock or product damage, do not disassemble, repair, or modify the device.
- Do not insert any foreign object into the device.
- In case of lightning, do not touch the power cord.
- Before carrying the device, remove the power plug from the receptacle.
- Do not place a heavy object on the device.
- To prevent possible hearing damage, do not listen at high volume levels for long periods.

#### Installation

- To reduce the risk of fire, electric shock or product damage, place the unit on a flat surface away from sources of direct sunlight or excessive heat.
- Do not install the device in a confined or build-in space such as a book case or similar area, and keep it under a well-ventilated condition. The ventilation should not be impeded by covering the ventilation openings with items such as newspaper, table-cloths, curtains, etc.
- Do not expose the device to rain, moisture, dripping, or splashing.
- Do not place objects filled with liquids, such as vases, on the device.

**Note**  
If any color shift occurs on a nearby TV or the radio of the device picks up noise from the TV, keep the device away from the TV.

#### Important Safety Instructions

- Read these instructions.
- Keep these instructions.
- Heed all warnings.
- Follow all instructions.
- Do not use this apparatus near water.
- Clean only with dry cloth.
- Do not block any ventilation openings. Install in accordance with the manufacturer's instructions.
- Do not install near any heat sources such as radiators, heat registers, stoves, or other apparatus (including amplifiers) that produce heat.
- Do not defeat the safety purpose of the polarized or grounding-type plug. A polarized plug has two blades with one wider than the other. A grounding type plug has two blades and a third grounding prong. The wide blade or the third prong are provided for your safety. If the provided plug does not fit into your outlet, consult an electrician for replacement of the obsolete outlet.
- Protect the power cord from being walked on or pinched particularly at plugs, convenience receptacles, and the point where they exit from the apparatus.
- Only use attachments/accessories specified by the manufacturer.
- Use only with the cart, stand, tripod, bracket, or table specified by the manufacturer, or sold with the apparatus. When a cart is used, use caution when moving the cart/apparatus combination to avoid injury from tip-over.
- Unplug this apparatus during lightning storms or when unused for long periods of time.
- Refer all servicing to qualified service personnel. Servicing is required when the apparatus has been damaged in any way, such as power-supply cord or plug is damaged, liquid has been spilled or objects have fallen into the apparatus, the apparatus has been exposed to rain or moisture, does not operate normally, or has been dropped.
- This equipment is a Class II or double insulated electrical appliance. It has been designed in such a way that it does not require a safety connection to electrical earth.
- No naked flame sources, such as lighted candles, should be placed on the apparatus.
- Attention should be drawn to environmental aspects of battery disposal.
- The product is designed to use in moderate climates.

#### FCC Statement :

This device complies with Part 15 of the FCC Rules. Operation is subject to the following two conditions:  
1) This device may not cause harmful interference, and 2) This device must accept any interference received, including interference that may cause undesired operation.  
Note: This equipment has been tested and found to comply with the limits for a Class B digital device, pursuant to part 15 of the FCC Rules. These limits are designed to provide reasonable protection against harmful interference in a residential installation. This equipment generates, uses, and can radiate radio frequency energy and, if not installed and used in accordance with the instructions, may cause harmful interference to radio communication. However, there is no guarantee that interference will not occur in a particular installation. If this equipment does cause harmful interference to radio or television reception, which can be determined by turning the equipment off and on, the user is encouraged to try to correct the interference by one or more of the following measures:  
• Reorient or relocate the receiving antenna.  
• Increase the separation between the equipment and receiver.  
• Connect the equipment into an outlet on a circuit different from that to which the receiver is connected.  
• Consult the dealer or an experienced radio/TV technician for help.  
Caution: Changes or modifications not expressly approved by the party responsible for compliance could void the user's authority to operate the equipment.

#### IC-CANADA :

This device complies with Industry Canada license-exempt RSS standard(s). Operation is subject to the following two conditions: (1) this device may not cause interference, and (2) this device must accept any interference, including interference that may cause undesired operation of the device.  
This Class [B] digital apparatus complies with Canadian ICES-003.  
Cet appareil s'accorde avec Industrie Canada licence-exempte RSS standard. (1) cet appareil ne peut pas causer l'interférence, et (2) cet appareil doit accepter de l'interférence, y compris l'interférence qui peut causer l'opération non désirée de.  
Cet appareil numérique de la classe B est conforme à la norme NMB-003 du Canada.

#### California Prop 65 Warning :

**WARNING** This product contains chemicals, including lead, known to the State of California to cause cancer and birth defects or other reproductive harm. *Wash hands after handling.*

#### Disclaimer

- Toshiba shall not be responsible for any damage caused by an earthquake, thunderstorm, flood damage, fire for which Toshiba is not responsible, acts of a third party, other accidents, or damages caused by the user's willful acts or negligence, misuse, or use in abnormal conditions.
- Toshiba shall not be responsible for any damage caused by failure to observe the information described in the operation manual.

#### Disposal

- When disposing of the device, observe the laws, or ordinances and rules of the local government.

#### About using Bluetooth®

This unit is designed for use with Bluetooth® wireless devices compatible with the A2DP and AVRCP streaming audio profiles. Refer to your Bluetooth® device's user manual or technical support to determine if your Bluetooth® device supports these profiles.

#### Frequency band used

This unit uses the 2.4 GHz frequency band. However other wireless devices may use 2.4 GHz frequency band as well and may cause interference with each other. To avoid interference, please refrain from the use of the unit at the same time with other wireless devices.

#### Certification of this device

This unit conforms to frequency restrictions and has received certification based on frequency laws, so a wireless permit is not necessary. However, the following action is punishable by law in some countries:  
• Taking apart/modifying the unit.

#### Usage restrictions

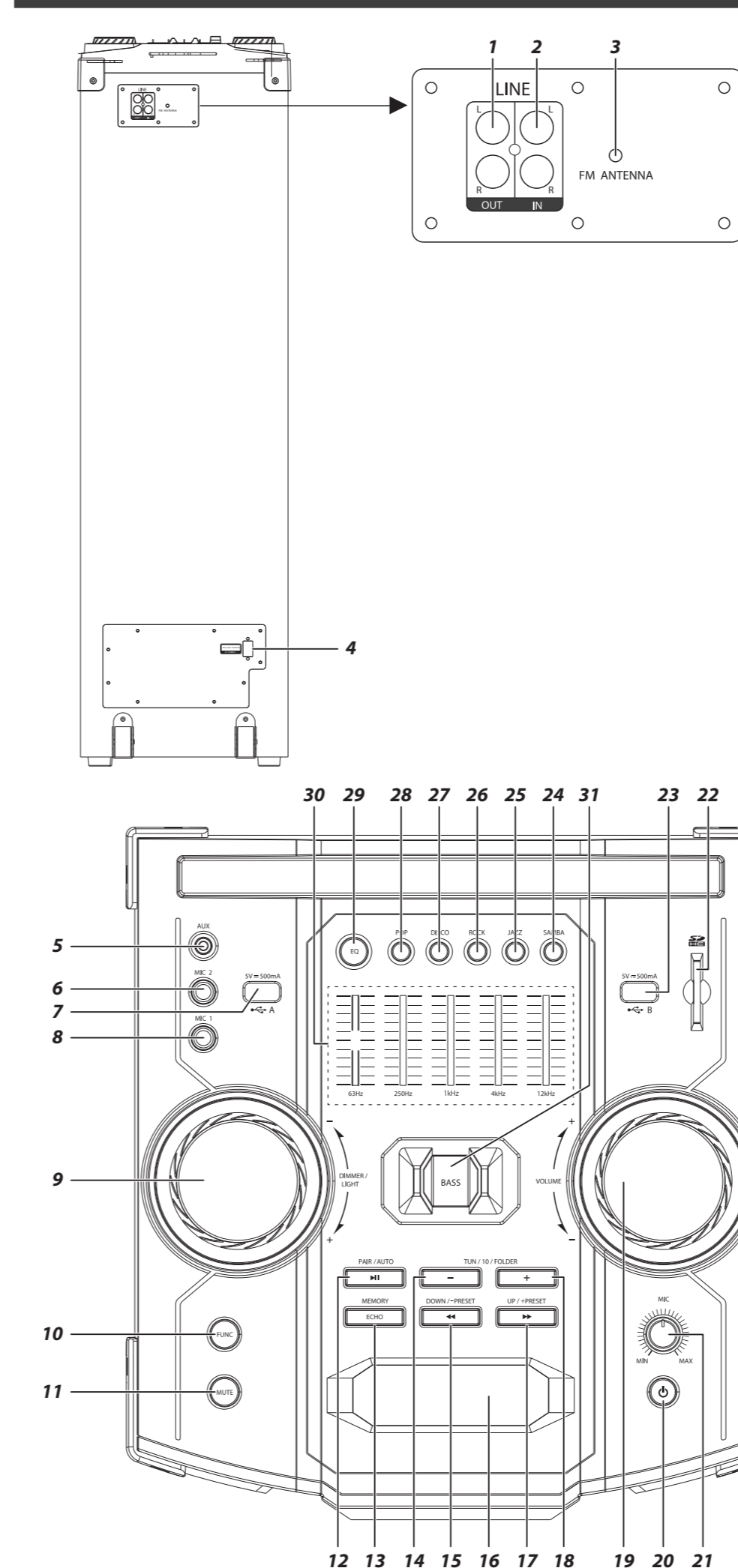
- Wireless transmission and/or use with all Bluetooth® equipped devices is not guaranteed.
- A device featuring the Bluetooth® function is required to conform to the Bluetooth® standard specified by Bluetooth SIG, and be authenticated. Even if the connected device conforms to the above mentioned Bluetooth® standard, some devices may not be connected or work correctly, depending on the features or specifications of the device.

#### Range of use

Use this device within an unobstructed 10 m range. The range of use or perimeter may be shortened depending on any obstructions, devices causing interference, other people in the room, or the construction of the building. Please note that the range mentioned above is not guaranteed.

The Bluetooth® word mark and logos are owned by the Bluetooth SIG, Inc. and are used under license.

#### Part names



- LINE OUT jack L/R
- LINE IN jack L/R
- FM ANTENNA
- AC POWER SOCKET
- 3.5mm AUX INPUT jack
- 6.3 mm MIC.2 jack
- USB port A
- 6.3 mm MIC.1 jack
- DIMMER/LIGHT knob
- FUNC button
- MUTE button
- PAIR/AUTO button
- ECHO button
- (TUN/10/FOLDER) button
- (DOWN/-PRESET) button
- DISPLAY
- (UP/+PRESET) button
- +(TUN/10/FOLDER) button
- VOL. knob
- POWER button
- MIC. VOL. knob
- SD card slot
- USB port B
- SAMBA mode button
- JAZZ mode button
- ROCK mode button
- DISCO mode button
- POP mode button
- EQ button
- EQUALIZER Slide Volume
- Extra Bass button

#### Basic functions

- Turning the unit on/off
    - Press the POWER button to switch the unit on/off.
  - Setting the function mode
    - To change the function mode, press the FUNC button on the unit to choose the USB A/USB B/SD/AUX/Bluetooth®/LINE/FM function.
- Note**  
In USB A/USB B/SD/AUX/Bluetooth®/LINE mode, when no operation is performed for 30 minutes, the unit will automatically enter standby mode. To resume operation, press POWER button to switch the unit on again.
- Adjusting the volume
    - Rotate the VOL. knob on the unit to increase or decrease the music volume.
  - Muting the Volume
    - Press MUTE button to switch the sound off temporary.
    - To switch the sound on, press the MUTE button again.
  - Light function
    - Press the DIMMER/LIGHT knob repeatedly to switch the different lighting mode (L1~L4 and OFF) of LED indicator light on the speaker.
      - L1: Turning the light on. Hold down the LIGHT knob on the unit to choose BLUE/YELLOW/CYAN/PINK/WHITE/RED/GREEN color.
      - L2: Blinking the light slowly. The color changes to BLUE/YELLOW/CYAN/PINK/WHITE/RED/GREEN automatically.
      - L3: Blinking the light a little faster. The color changes to BLUE/YELLOW/CYAN/PINK/WHITE/RED/GREEN automatically.
      - L4: Flashing the light.
    - Rotate the DIMMER/LIGHT knob on the unit to adjust brightness of the display screen.
  - Equalizer function
    - Press the EQ button to enter to equalizer manual mode.
    - Adjust the EQUALIZER Slide Volume for five frequencies (63Hz, 250Hz, 1kHz, 4kHz, 12kHz) on the unit to adjust the equalizer volume.
    - To select the preset equaliser modes, press the POP/DISCO/ROCK/JAZZ/SAMBA button.
  - Extra Bass
    - Press Extra bass button to switch the extra bass on/off.
  - Microphone echo
    - Press ECHO button repeatedly to switch to microphone ECHO ON/OFF mode.

#### USB/SD operation

- Listening to a USB device/SD card
 

This unit provides a USB port for music playback.

  - Press the FUNC button on the unit to select USB A/USB B/SD mode.
  - Connect a USB memory stick to the USB port A/USB port B on the front of the unit.
    - SD: Insert an SD memory card into the SD card slot on the front of the unit. The display will show the total number of playable tracks on the USB device/SD card.
  - To playback and resume playback, press the PAIR button.
    - The current track number and the "▶" will be shown on the display.
  - To pause playback, press the PAIR button on the unit.
    - The current track number and the "II" will be shown on the display.
  - To select a desired track, press the ▶ or ◀ button either while playing or while paused until the desired track appears on the display.
    - The unit will start playing automatically.
  - To search for a particular passage during playback, press and hold the ▶ or ◀ button to fast forward and fast backward until the desired point (passage) is reached, then release the button for normal playback.
    - Playback will start again from this point.
  - To jump to +/- 10 track, press - or + (TUN/10/FOLDER) button.
  - To select +/- folder, press and hold - or + (TUN/10/FOLDER) button.

**Caution**  
To prevent harmful interference, always connect USB devices/SD card directly to the unit. Do not use a USB/SD card extension cable to connect USB devices/SD card to the unit.

#### Bluetooth® operation

- Press the FUNC button on the unit to switch to the Bluetooth® mode.
  - The display will show "NO BT".
- Following the instructions in your device's user manual, activate Bluetooth® on your device and search for the unit "TY-ASC400" and connect. Input the password "0000" if required.
  - The display will show "BT".
- Press the PAIR button on the unit to start playback.
- Rotate the VOL. knob on the unit or adjust the volume on the external device to increase or decrease the music volume as desired.

**Notes**  
• Press and hold the PAIR button to disconnect the Bluetooth®.  
• The Bluetooth® works best within 10 meters.  
• In bluetooth mode, PAIR, "VOLUME", "MUTE" etc. are also active.

#### AUX IN/LINE operation

- Press the FUNC button on the unit to select "AUX"/"LINE" mode.
- Connect your audio device to the input terminal AUX LINE INPUT on the front panel/on the rear panel of the unit with an audio cable.
- Rotate the VOLUME knob on the unit or adjust the volume on the external device to increase or decrease the music volume as desired.
- Control playback with your audio device.

## FM operation

### ■ Listening to the FM

**1** Press the FUNC button on the unit to select "FM" mode.

**2** Press – or + (TUN/10/FOLDER) button to tune in the station.

Press and hold the ►► (UP) or ◄◄ (DOWN) button to perform automatic tuning. Tuning stops automatically when a station is received.

• Automatic tuning may stop due to reception noise. In such a case, perform the automatic tuning again.

**3** Rotate the VOLUME knob on the unit to increase or decrease the FM volume.

### ■ Automatic tuning preset

Press and hold the ►/PAIR/AUTO button. The device will automatically tune in and preset all of the stations that can be received in your area up to 50 preset channel.

### ■ Manual tuning preset

**1** Select the desired station by manual tuning or auto stop tuning.

**2** Press and hold the MEMORY button. Preset number will be displayed and blinked.

Press - or + PRESET button to select the preset number.

#### Note

• If you do not perform the operation within 5 seconds, the device will automatically return to the normal reception mode.

**3** Press the MEMORY button again. Preset number is lighting. The preset numbers will be preset.

### ■ Select the preset radio stations

When radio signals are received, press the - or + PRESET button.

• Each time you press the button, the Preset number and frequency of the radio station is displayed.

## MIC jack operation

Microphone input is available in all modes.

**1** Connect your microphone to the 6.3 mm MIC.1 or MIC.2 jack of the unit.

**2** Rotate the MIC VOL. knob on the unit to increase or decrease the microphone volume.

## Maintenance

### ■ Maintenance of the main unit

Wipe off stains lightly with a soft cloth. If a stain is severe, wipe it off with a cloth dampened with neutral detergent solution and wrung tightly, and dry it with a dry cloth.

• Do not use benzene or thinner, etc. Do not spray any volatile chemical such as insecticide on the cabinet.

## When you suspect a failure

Phenomenon	Cause	Remedy
<b>Common unit</b>		
No sound is output.	• The power plug is disconnected. • The volume level is low. • The source is not switched properly.	• Insert the plug fully. • Adjust the volume level. • Switch the device to the proper source.

### USB memory section

Replay does not start.	• The MP3 file is not playable.	• Make sure the file is a playable MP3 file.
Device cannot be detected.	• The device is not connected properly.	• Connect the device properly.

#### Notes

• If the device does not operate or display properly while the USB device is played back, press the POWER ON/OFF switch once to turn off the power, and remove the AC cord and connect it again. Then, set the device back to the USB mode and play back the USB device.

• The cabinet becomes slightly hot in some parts when the device has been used for a long period of time, it is not a failure.

## Specifications

USB memory section	
Playback format	MP3
Memory	32 MB to 32 GB
Supported memory	USB1.1 or USB2.0
Playable USB memory	USB-IF certified product
Bluetooth® section	
Bluetooth® specification	Ver. 2.1+EDR
Wireless equipment classification	Class 2
Supported profile	A2DP, AVRCP
Frequency	2.402-2.480 GHz (2.4 GHz ISM segment)
Service distance	Up to 10 m
Terminal	
Input/Output	φ 3.5 mm AUX input jack, LINE IN jack (L/R), φ 6.3 mm Microphone input jack × 2, LINE OUT Jack (L/R)
General	
Power supply	AC 100-240 V~, 50/60 Hz
Power consumption	200 W
Max. output power	4 × 100 W
USB port DC output	5 V, 500 mA
Dimension	Approx. 281 (W) × 350 (D) × 964 (H) mm
Weight	Approx. 15.3 kg
Accessories	AC cord, Operation manual

The specifications and appearance may be subject to modification without prior notice.

## TY-ASC400

Système sonore sans fil Toshiba  
Mode d'emploi

Merci d'avoir acheté ce système sonore portable.

Pour utiliser ce produit en toute sécurité, veuillez lire attentivement et bien comprendre ce mode d'emploi avant son utilisation.

Après avoir lu ce mode d'emploi, veuillez le conserver dans un endroit sûr de façon à pouvoir vous y reporter chaque fois que nécessaire.



5016800

### Précautions p de sécurité

Les informations dont vous avez besoin pour éviter tout risque de danger pour l'utilisateur ou les autres personnes, de même que tout dommage matériel sont données ci-dessous. La section « Descriptions des signes » montre les différentes niveaux de danger ou de dommages qui peuvent se produire à la suite d'une mauvaise manipulation.

#### Remarques importantes

- Ce livre est seulement un guide d'utilisation pour l'utilisateur et ne constitue pas un critère pour la configuration.
- Utilisez uniquement les accessoires spécifiés par le fabricant.

	L'éclair fléché dans le triangle est une mise en garde avertissant l'utilisateur d'un danger lié à la présence d'une « tension dangereuse » à l'intérieur de l'appareil.
	Le point d'exclamation dans le triangle est une mise en garde avertissant l'utilisateur de la présence d'instructions importantes accompagnant cet appareil.
	Mise en garde : pour réduire le risque de choc électrique, ne retirez pas le couvercle (ou le panneau arrière). Aucune pièce réparable par l'utilisateur à l'intérieur. Confiez les réparations à un technicien qualifié.

#### Description des signes

**AVERTISSEMENT** Indique qu'il y a un risque de mort ou de blessures sérieuses. **ATTENTION** Indique qu'il y a un risque de blessure mineur ou de dommage matériel.

#### ■ Que faire en cas d'anomalie

- Arrêtez immédiatement d'utiliser l'appareil dans le cas d'une anomalie ou d'un mauvais fonctionnement.
- Débranchez immédiatement la fiche d'alimentation de la prise secteur si un liquide ou un objet étranger entre à l'intérieur de l'appareil. Cela pourrait causer un incendie ou un choc électrique. Débranchez immédiatement la fiche secteur et contactez votre revendeur pour une réparation.

#### ■ Cordon d'alimentation et fiche d'alimentation

- Pour réduire le risque d'incendie, de choc électrique ou de dommages de l'appareil,
- Branchez la fiche secteur complètement une prise secteur murale.
  - Si vous trouvez de la poussière sur les broches de la fiche d'alimentation ou la surface d'installation des broches, retirez la fiche d'alimentation et retirez la poussière.
  - La fiche secteur ou un coupleur est utilisé comme dispositif de déconnexion de l'appareil, et l'appareil déconnecté doit être prêt à être utilisé.
  - Ne branchez pas ni ne débranchez la fiche d'alimentation avec les mains mouillées.
  - Respectez ce qui suit lors de la manipulation du cordon d'alimentation.
    - Ne l'endommagez pas.
    - Ne le modifiez pas (par ex. en le prolongeant).
    - Ne le chauffez pas.
    - Ne le tirez pas.
    - Ne placez pas un objet lourd dessus.
    - Ne le pincez pas.
    - Ne le tordez pas trop fort.
    - Ne le torsadez pas.
    - Ne le lie pas avec d'autres câbles.

- Si l'appareil ne doit pas être utilisé pendant longtemps, débranchez la fiche d'alimentation de la prise secteur murale.
- N'utilisez aucun autre cordon d'alimentation que celui fourni avec l'appareil.
- N'utilisez pas le cordon d'alimentation fourni avec cet appareil pour un autre produit.

#### ■ Utilisation

- Pour réduire le risque d'incendie, de choc électrique ou de dommages de l'appareil,
- Ne démontez pas, ne réparez pas ni ne modifiez l'appareil.
  - N'insérez aucun objet étranger à l'intérieur de l'appareil.
  - En cas d'orage, ne touchez pas le cordon d'alimentation.

#### ■ Installation

- Pour réduire le risque d'incendie, de choc électrique ou de dommages de l'appareil,
- Placez l'appareil sur une surface plane à l'abri des rayons directs du soleil ou d'une chaleur excessive.
  - N'installez pas cet appareil dans un espace confiné ou dans un espace intégré tel qu'une bibliothèque ou un meuble similaire, et gardez-le dans des conditions de ventilation correctes. La ventilation ne doit pas être gênée en couvrant les ouvertures de ventilation avec des objets tels que des journaux, des nappes, des rideaux, etc.
  - N'exposez pas l'appareil à la pluie, à l'humidité, aux fuites d'eau ou à des éclaboussures.
  - Ne placez pas d'objets remplis d'eau tels que des vases sur l'appareil.

#### Remarque

- Si un changement de couleur se produit sur un téléviseur proche, ou si la radio de l'appareil reçoit des parasites du téléviseur, gardez l'appareil loin du téléviseur.

#### Instructions de sécurité importantes

- Lire ces instructions.
- Conserver ces instructions.
- Respecter tous les avertissements.
- Suivre toutes les instructions.
- Ne pas utiliser cet appareil près de l'eau.
- Nettoyer seulement avec un chiffon sec.
- Ne bloquer aucune ouverture de ventilation. Installer conformément aux instructions du fabricant.
- Ne pas installer près d'une source de chaleur, par exemple des radiateurs, des registres de chaleur, des poêles ou autres appareils (amplificateurs, par exemple) qui produisent de la chaleur.
- Ne pas contourner le dispositif de sécurité de la fiche polarisée ou de la fiche de type mise à la terre. Une fiche polarisée est munie de deux lames, dont l'une est plus large que l'autre. Une fiche de mise à la terre est munie de deux lames et d'une troisième broche de mise à la terre. La lame large ou la troisième broche sont fournies pour garantir la sécurité. Si la fiche fournie n'entre pas dans la prise, consulter un électricien pour le remplacement de la prise obsolète.
- Protéger le cordon d'alimentation de manière à ne pas marcher dessus ni le pincer, surtout au niveau de la fiche, de la prise ou de la sortie du cordon de l'appareil.
- Utiliser uniquement des accessoires spécifiés par le fabricant.
- Utiliser seulement avec le chariot, le socle, le trépied, le support ou la table spécifiés par le fabricant, ou le dispositif vendu avec l'appareil. Quand un chariot est utilisé, faire preuve de prudence lors du déplacement de l'ensemble chariot / appareil afin d'éviter toute blessure provoquée par un basculement éventuel.
- Débrancher cet appareil pendant les orages électriques ou s'il n'est pas utilisé pendant de longues périodes.
- Confier l'entretien de l'appareil à un technicien agréé. Faire réparer l'appareil s'il a été endommagé de quelque manière que ce soit, par exemple si le cordon d'alimentation, ou la fiche, est endommagé(e), si du liquide a été renversé sur l'appareil ou si des objets sont tombés sur l'appareil, s'il a été exposé à la pluie ou à l'humidité, s'il ne fonctionne pas normalement ou s'il est tombé.
- Cet équipement est un appareil électrique de classe II ou à double isolation. Il a été conçu de telle sorte qu'il ne nécessite pas de connexion de sécurité à la terre électrique.
- Aucune source à flamme nue, telle que des bougies allumées, ne doit être placée sur l'appareil.
- Faites attention aux aspects environnementaux quand vous souhaitez vous mettre la pile au rebut.
- Le produit est conçu pour être utilisé dans un climat tempéré.

#### Déclaration d'exposition aux radiations FCC

Cet équipement est conforme aux limites d'exposition aux rayonnements de la FCC établies pour un environnement non contrôlé. Cet équipement doit être installé et utilisé avec une distance minimale de 20 cm entre le radiateur et votre corps.

#### Déclaration de la FCC :

Cet appareil est conforme à la partie 15 du règlement de la FCC. Le fonctionnement est sujet aux deux conditions suivantes :

- Cet appareil ne doit pas provoquer de brouillage préjudiciable et (2) cet appareil doit accepter tout brouillage reçu, y compris le brouillage susceptible de provoquer un fonctionnement indésirable.

Remarque : cet équipement a été soumis à des essais et a été déclaré conforme aux limites stipulées pour un appareil numérique de classe B, conformément aux spécifications de la partie 15 du règlement de la FCC. Ces limites ont pour but d'assurer une protection raisonnable contre le brouillage nuisible dans une installation résidentielle. Cet équipement produit, utilise et peut émettre de l'énergie en radio fréquence et, s'il n'est pas installé et utilisé conformément aux directives, il peut causer un brouillage nuisible dans les communications radio. Cependant, il est impossible de garantir qu'aucun brouillage ne se produira dans une installation particulière. Si cet équipement cause un brouillage de la réception de radio ou de télévision, ce qu'il est possible de déterminer en éteignant puis en rallumant l'équipement, l'utilisateur est prié d'essayer de corriger le brouillage au moyen de l'une ou de plusieurs des mesures suivantes :

- Réorienter ou déplacer l'antenne du récepteur.
  - Augmenter la distance séparant l'équipement du récepteur.
  - Brancher l'équipement dans une prise dont le circuit est différent de celui où est branché le récepteur.
  - Consulter le revendeur ou un technicien expérimenté de radio/télévision.
- Attention : Tout changement ou modification non expressément approuvés par la partie responsable de la conformité peut annuler l'autorité de l'utilisateur d'utiliser l'appareil.

#### IC-CANADA :

This device complies with Industry Canada license-exempt RSS standard(s). Operation is subject to the following two conditions: (1) this device may not cause interference, and (2) this device must accept any interference, including interference that may cause undesired operation of the device.

This Class [B] digital apparatus complies with Canadian ICES-003.

Cet appareil s'accorde avec Industrie Canada licence-exempte RSS standard. (1) cet appareil ne peut pas causer l'intervention, et (2) cet appareil doit accepter de l'intervention, y compris l'intervention qui peut causer l'opération non désirée de.

Cet appareil numérique de la classe B est conforme à la norme NMB-003 du Canada.

#### Avertissement California Prop 65 :

Ce produit contient des produits chimiques, y compris du plomb, connus dans l'État de Californie pour causer un cancer des anomalies congénitales ou d'autres troubles de la reproduction. **Lavez-vous les mains après leur manipulation.**

#### Avis de non-responsabilité

- Toshiba ne peut être tenu responsable pour tout dommage causé par une tremblement de terre, un orage, des inondations ou un incendie pour lesquels Toshiba n'est pas responsable, pour toute action d'une tierce partie, d'autres accidents ou de dommages causés par des actions volontaires de l'utilisateur ou par une négligence, une mauvaise utilisation ou une utilisation dans des conditions anormales.
- Toshiba ne peut être tenu responsable pour tout dommage causé par le non respect des informations décrites dans le mode d'emploi.

#### Mise au rebut

- Lors de la mise au rebut de cet appareil, respectez les lois, les décrets et les règlements du gouvernement local.

#### À propos de l'utilisation du Bluetooth®

Cet appareil est conçu pour être utilisé avec des appareils sans fil Bluetooth® compatibles avec les profils de flux audio A2DP et AVRCP. Reportez-vous au mode d'emploi de l'appareil Bluetooth® ou au service technique pour savoir si votre appareil Bluetooth® prend en charge ces profils.

#### ■ Bande de fréquence utilisée

Cet appareil utilise la bande de fréquence 2,4 GHz. Cependant, il se peut que d'autres appareils sans fil utilisent également la bande de fréquences de 2,4 GHz et causent des interférences les uns avec les autres. Pour éviter toute interférence, veuillez ne pas utiliser l'appareil en même temps que d'autres appareils sans fil.

#### ■ Certification de cet appareil

Cette appareil est conforme aux restrictions de fréquence et a reçu une certification sur la base des lois sur les fréquences, et par conséquent aucun permis pour la communication sans fil n'est nécessaire. Cependant les actions suivantes sont punies par la loi dans certains pays :

#### ■ Restriction d'utilisation

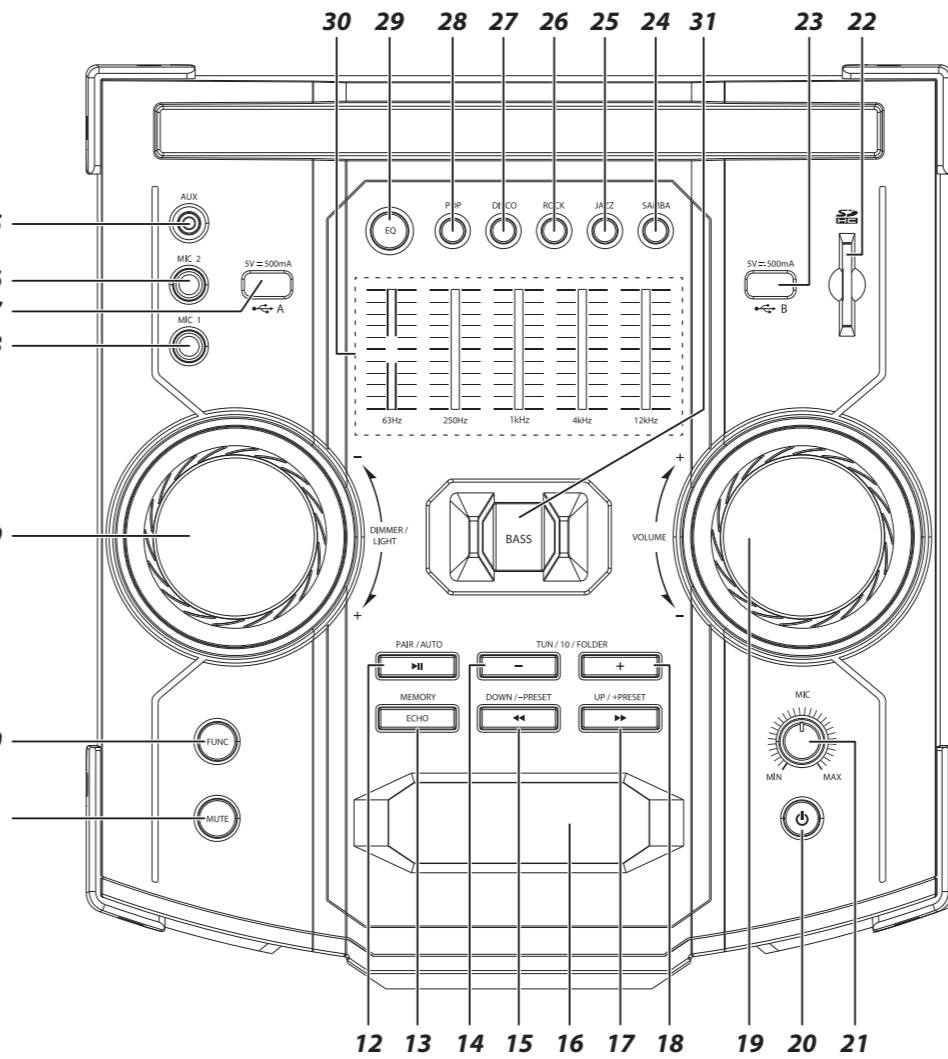
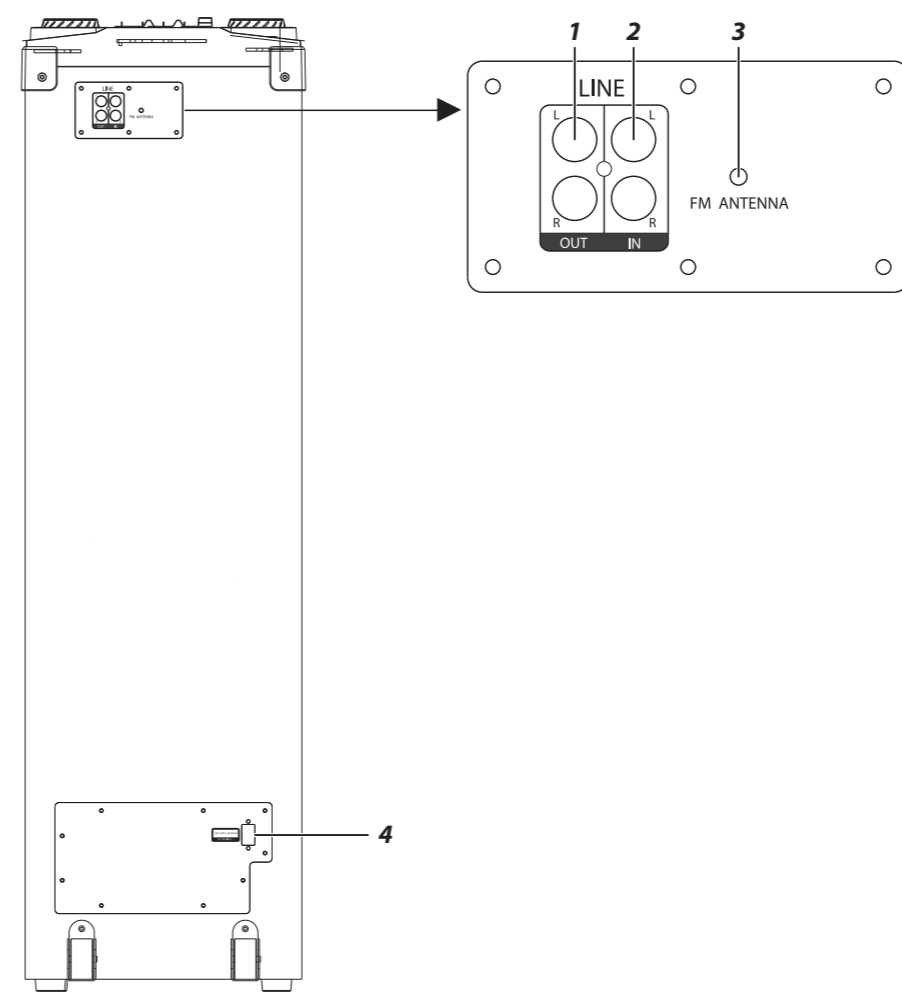
- La transmission sans fil et / ou l'utilisation avec tous les appareils munis de Bluetooth® n'est pas garantie.
- L'appareil muni de la fonction Bluetooth® doit être conforme à la norme Bluetooth® spécifiée par Bluetooth SIG et être authentifié. Même si l'appareil connecté est conforme à la norme Bluetooth® mentionnée ci-dessus, certains appareils peuvent ne pas se connecter ou fonctionner correctement, en fonction des caractéristiques ou des spécifications de l'appareil.

#### ■ Plage d'utilisation

Utilisez cet appareil dans un rayon de 10 m sans obstruction. La plage d'utilisation ou le périmètre peut être raccourci en fonction d'obstructions, d'appareils causant des interférences, d'autres personnes dans la pièce ou de la construction du bâtiment. Veuillez noter que la plage mentionnée ci-dessus n'est pas garantie.

La marque du mot et les logos Bluetooth® sont la propriété de Bluetooth SIG, Inc. et sont utilisés sous licence.

#### Nom des pièces



- Prise LINE OUT L / R
- Prise LINE IN L / R
- ANTENNE FM
- PRISE D'ALIMENTATION CA
- Prise AUX IN de 3,5 mm
- Prise MIC.2 de 6,3 mm
- Port USB A
- Prise MIC.1 de 6,3 mm
- Bouton DIMMER / LIGHT
- Bouton FUNC
- Bouton MUTE
- II/Bouton PAIR / AUTO
- Bouton ECHO
- Bouton (TUN / 10 / FOLDER) –
- Bouton (DOWN / - PRESET) ◀◀
- AFFICHAGE
- Bouton (UP / + PRESET) ▶▶
- Bouton (TUN / 10 / FOLDER) +
- Molette VOL.
- Bouton POWER
- Molette MIC. VOL.
- Emplacement pour carte SD
- Port USB B
- Bouton du mode SAMBA
- Bouton du mode JAZZ
- Bouton du mode ROCK
- Bouton du mode DISCO
- Bouton du mode POP
- Bouton EQ
- curseur de volume de l'EQUALIZER
- Bouton Extra Basse

#### Les fonctions de base

##### ■ Mise sous / hors tension de l'appareil

- Appuyez sur le bouton POWER pour allumer / éteindre l'appareil.

##### ■ Réglage du mode de fonctionnement

- Pour changer de mode de fonctionnement, appuyez sur le bouton FUNC de l'appareil pour choisir la fonction USB A / USB B / SD / AUX / Bluetooth® / LINE / FM.

##### Remarque

- En mode USB A / USB B / SD / AUX / Bluetooth® / LINE, si aucune opération n'est effectuée pendant 30 minutes, l'appareil passe automatiquement en mode veille. Pour reprendre le fonctionnement, appuyez sur le bouton POWER pour remettre l'appareil sous tension.

##### ■ Réglage du volume

- Tournez la molette VOL. de l'appareil pour augmenter ou diminuer le volume de la musique.

##### ■ Désactivation du volume

- Appuyez sur le bouton MUTE pour désactiver temporairement le son.

##### 2 Pour activer le son, appuyez de nouveau sur le bouton MUTE.

##### ■ Fonction d'éclairage

- Appuyez plusieurs fois sur la molette DIMMER / LIGHT pour activer un mode d'éclairage différent (L1 ~ L4 et OFF) du voyant LED sur le haut-parleur.

L1: Allume la lumière. Maintenez la molette LIGHT de l'appareil enfoncé pour choisir la couleur BLEU / JAUNE / CYAN / ROSE / BLANC / ROUGE / VERT.

L2: Clignotement lent. La couleur passe automatiquement à BLEU / JAUNE / CYAN / ROSE / BLANC / ROUGE / VERT.

L3: Clignotement de la lumière un peu plus vite. La couleur passe automatiquement à BLEU / JAUNE / CYAN / ROSE / BLANC / ROUGE / VERT.

L4: Clignotement de la lumière.

##### 2 Tournez la molette DIMMER / LIGHT de l'appareil pour régler la luminosité de l'écran.

##### ■ Fonction égaliseur

- Appuyez sur le bouton EQ pour accéder au mode manuel de l'égaliseur.
- Réglez le curseur de volume EQUALIZER selon cinq fréquences (63Hz, 250Hz, 1kHz, 4kHz, 12kHz) sur l'appareil pour régler le volume de l'égaliseur.
- Pour sélectionner les modes d'égaliseur pré-réglés, appuyez sur le bouton POP / DISCO / ROCK / JAZZ / SAMBA.

##### ■ Extra Basse

- Appuyez sur le bouton Extra Basse pour activer / désactiver les graves supplémentaires.

##### ■ Écho du microphone

- Appuyez plusieurs fois sur le bouton ECHO pour passer en mode ECHO ON / OFF du microphone.

#### Fonctionnement USB / SD

##### ■ Écoute d'un périphérique USB / carte SD

Cet appareil dispose d'un port USB pour la lecture de musique.

- Appuyez sur le bouton FUNC de l'appareil pour sélectionner le mode USB A / USB B / SD.

- USB : Connectez une clé USB au port USB A / port USB B situé à l'avant de l'appareil. SD : Insérez une carte mémoire SD dans la fente pour carte SD située à l'avant de l'appareil.

L'écran affiche le nombre total de pistes jouables sur le périphérique USB / carte SD.

- Pour lire et reprendre la lecture, appuyez sur le bouton ■I/PAIR. Le numéro de la plage actuelle et ◀ ▶ s'afficheront à l'écran.

- Pour mettre en pause la lecture, appuyez sur le bouton ■I/PAIR de l'appareil. Le numéro de la plage actuelle et ◀ ▶ s'afficheront à l'écran.

- Pour sélectionner une piste désirée, appuyez sur le bouton ▶▶ ou ◀◀ pendant la lecture ou pendant la pause jusqu'à ce que la piste souhaitée apparaisse sur l'écran.

L'appareil commencera à jouer automatiquement.

- Pour rechercher un passage en particulier pendant la lecture, maintenez enfoncée le bouton ▶▶ ou ◀◀ pour avancer rapidement et reculer rapidement jusqu'à ce que le point souhaité (passage) soit atteint, puis relâchez le bouton pour la lecture normale.

La lecture recommencera à partir de ce point.

- Pour passer +/- 10 pistes, appuyez sur le bouton – ou + (TUN / 10 / FOLDER).

- Pour sélectionner le dossier +/-, maintenez le bouton – ou + (TUN / 10 / FOLDER) enfoncé.

##### Attention

- Pour éviter les interférences nuisibles, connectez toujours les périphériques USB / carte SD directement à l'appareil. N'utilisez pas de câble d'extension USB / SD pour connecter des périphériques USB / carte SD à l'appareil.

#### Fonctionnement du Bluetooth®

- Appuyez sur le bouton FUNC de l'appareil pour passer en mode Bluetooth®. L'écran affichera « NO BT ».

- Suivez les instructions du mode d'emploi de votre appareil, activez le Bluetooth® sur votre appareil et recherchez l'appareil « TY-ASC400 » et connectez-vous. Saisissez le mot de passe « 0000 » si nécessaire. L'écran affichera « BT ».

- Appuyez sur le bouton ■I/PAIR de l'appareil pour lancer la lecture.

- Tournez la molette VOL. de l'appareil ou réglez le volume sur le périphérique externe pour augmenter ou diminuer le volume de la musique comme vous le souhaitez.

##### Remarques

- Maintenez le bouton ■I/PAIR enfoncé pour déconnecter le Bluetooth®.
- Le Bluetooth® fonctionne mieux à moins de 10 mètres.
- En mode Bluetooth®, « ■I/PAIR », « VOLUME », « MUTE », etc. sont également actifs.

#### Fonctionnement AUX IN / LINE

- Appuyez sur le bouton FUNC de l'appareil pour sélectionner le mode « AUX » / « LINE ».

- Connectez votre appareil audio à la prise d'entrée AUX LINE INPUT sur le panneau avant / sur le panneau arrière de l'appareil avec un câble audio.

- Tournez la molette de VOLUME de l'appareil ou réglez le volume sur le périphérique externe pour augmenter ou diminuer le volume de la musique comme vous le souhaitez.

- Contrôlez la lecture avec votre périphérique audio.

## Fonctionnement FM

### ■ Écouter via FM

**1** Appuyez sur le bouton FUNC de l'appareil pour sélectionner le mode « FM ».

**2** Appuyez sur le bouton — ou + (TUN / 10 / FOLDER) pour syntoniser la station. Maintenez le bouton ►► (UP) ou ◀◀ (DOWN) enfoncé pour effectuer la syntonisation automatique. La syntonisation s'arrêtera automatiquement lorsqu'une station est reçue.

- La syntonisation automatique peut s'arrêter à cause du bruit de réception. Dans ce cas, effectuez à nouveau la syntonisation automatique.

**3** Tournez la molette de VOLUME de l'appareil pour augmenter ou diminuer le volume FM.

### ■ Préréglage de la syntonisation automatique

Appuyez et maintenez enfoncé le bouton ►/ PAIR / AUTO. L'appareil syntonisera et prédefinira automatiquement toutes les stations qui peuvent être reçues dans votre région jusqu'à 50 canaux préréglés.

### ■ Préréglage de la syntonisation manuelle

**1** Sélectionnez la station désirée en effectuant une syntonisation manuelle ou une syntonisation automatique.

**2** Maintenez le bouton MEMORY enfoncé. Le numéro de préréglage s'affichera et clignotera. Appuyez sur le bouton PRESET - ou + pour sélectionner le numéro de préréglage.

#### Remarque

• Si vous n'effectuez pas d'opération dans les 5 secondes qui suivent, l'appareil revient automatiquement en mode de réception normal.

**3** Appuyez de nouveau sur le bouton MEMORY. Le numéro de préréglage est allumé. Les numéros préréglés seront prédefinis.

### ■ Sélectionnez les stations de radio présélectionnées

Lorsque les signaux radio sont reçus, appuyez sur le bouton PRESET - ou +.

• Chaque fois que vous appuyez sur le bouton, le numéro de préréglage et la fréquence de la station de radio s'afficheront.

## Fonctionnement de la prise MIC

L'entrée microphone est disponible dans tous les modes.

**1** Raccordez votre microphone à la prise MIC.1 ou MIC.2 de 6,3 mm de l'appareil.

**2** Tournez la molette MIC VOL. pour augmenter ou diminuer le volume du microphone.

## Entretien

### ■ Etnretien de l'unité principale

Essayez légèrement les taches avec un chiffon doux. Si la tache est sévère, essayez-la avec un chiffon imbibé d'une solution de détergent neutre et essorez-la soigneusement et séchez-la avec un chiffon sec.

• N'utilisez pas de benzène ou de diluant, etc. Ne vaporisez aucun produit chimique volatile tel que de l'insecticide sur le boîtier.

## Lorsque vous soupçonnez une défaillance

Phénomène	Cause	Solution
-----------	-------	----------

### Section concernant l'unité

Aucun son n'est émis.	• La fiche d'alimentation est débranchée. • Le volume est faible. • La source n'est pas correctement commutée.	• Insérez complètement la fiche. • Réglez le volume. • Mettez l'appareil sur la source appropriée.
-----------------------	--	--

### Section concernant la clé USB

La lecture ne démarre pas.	• Le fichier MP3 n'est pas lisible.	• Assurez-vous que le fichier est un fichier MP3 jouable.
----------------------------	-------------------------------------	---

Le périphérique ne peut pas être détecté.	• L'appareil n'est pas branché correctement.	• Branchez le périphérique correctement.
---	--	--

#### Remarques

• Si l'appareil ne fonctionne pas ou ne s'affiche pas correctement pendant que le périphérique USB est lu, appuyez une fois sur l'interrupteur POWER ON / OFF pour mettre l'appareil hors tension et retirez le cordon d'alimentation et rebranchez-le. Ensuite, remettez le périphérique en mode USB et lisez le périphérique USB.

• Le boîtier devient légèrement chaud dans certaines parties lorsque l'appareil est utilisé pendant une longue période, ce n'est pas une panne.

## Caractéristiques

Mémoire USB	
Format de lecture	MP3
Mémoire	32 Mo à 32 Go
Mémoire prise en charge	USB 1.1 ou USB 2.0
Mémoire USB lisible	Produit certifié USB-IF
Section Bluetooth®	
Spécifications Bluetooth®	Version 2.1+EDR
Classification de l'équipement sans fil	Classe 2
Profil pris en charge	A2DP, AVRCP
Fréquences	2,402-2,480 GHz (segment ISM de 2,4 GHz)
Portée de fonctionnement	Jusqu'à 10 m
Prise	
Entrée/sortie	∅ Prise d'entrée AUX de 3,5 mm, Prise LINE IN (L / R), ∅ Prise d'entrée du microphone de 6,3 mm × 2, Prise LINE OUT (L / R)
Général	
Source d'alimentation	AC 100-240 V~, 50/60 Hz
Consommation d'énergie	200 W
Puissance de sortie max.	4 × 100 W
Port USB Sortie CC	5 V, 500 mA
Dimension	Environ. 281 (L) × 350 (P) × 964 (H) mm
Poids	Environ. 15,3 kg
Accessoires	Cordon d'alimentation, Manuel d'utilisation

Les spécifications et l'aspect peuvent être modifiés sans préavis.