

## TY-ASC20

Portable Sound System  
Operation Manual

This product is a splash proof speaker and standardized as IPX4. The product is not waterproof. Do not place the product into water. Read the following safety precautions carefully before using the product.

Thank you for purchasing this Portable Sound System. To use this product safely, read and understand this operation manual thoroughly before using. After reading this manual, keep it in a safe place so that it can be referred to when necessary.

5016700



## Safety precautions

The information you need to prevent danger to the user and other people as well as property damage is described below. "Description of signs" shows different levels of danger or damage that may occur due to wrong handling.

## Important notes

- This book is only a guide for user's operation, not a criterion for configuration.
- Only use attachments/accessories specified by the manufacturer.

	The lightning flash is intended to alert the user to the presence of dangerous voltage within the product's enclosure, and touching the internal components may result in a risk of electric shock to persons.
	The exclamation mark is intended to alert the user to the presence of important operating instructions.
	To reduce the risk of electric shock or fire, do not open the cover. Refer servicing to qualified service personnel.

## Description of signs

**WARNING** Indicates that there is a risk of death or serious injury. **CAUTION** Indicates that there is a risk of minor injury or property damage.

## What to do in the case of an abnormality

- Stop using the device immediately in the case of an abnormality or failure.
- Remove the power plug from the receptacle immediately when water or any foreign object enters the interior of the device.
- It may cause a fire or electric shock. Remove the power plug immediately, and contact your dealer for a repair.

## AC adapter

	To reduce the risk of fire, electric shock or product damage, <ul style="list-style-type: none"> <li>Insert the AC adapter plug fully into an AC power outlet.</li> <li>If there is dirt or dust on the pins or pin installation surface of the AC adapter, disconnect the AC adapter and remove the dirt or dust.</li> <li>Do not insert or remove the power plug with a wet hand.</li> <li>Observe the following when handling the power cord of the AC adapter. <ul style="list-style-type: none"> <li>Do not damage it.</li> <li>Do not modify it (e.g. extension).</li> <li>Do not heat it.</li> <li>Do not pull it.</li> <li>Do not place a heavy object on it.</li> <li>Do not pinch it.</li> <li>Do not bend it forcefully.</li> <li>Do not twist it.</li> <li>Do not bundle it.</li> </ul> </li> <li>When disconnecting the AC adapter from the power outlet, hold the AC adapter plug while pulling.</li> </ul>
<b>WARNING</b>	<ul style="list-style-type: none"> <li>Do not use the device if the power cord is damaged.</li> <li>Do not use any AC adapter other than the one that comes with the device.</li> <li>Do not use the AC adapter that comes with the device for any other product.</li> </ul>
<b>CAUTION</b>	<ul style="list-style-type: none"> <li>If the device will not be used for a long time, remove the power cord of the AC adapter from the AC power outlet.</li> <li>Do not use any AC adapter other than the one that comes with the device.</li> <li>Do not use the AC adapter that comes with the device for any other product.</li> </ul>

## Usage

	To reduce the risk of fire, electric shock or product damage, <ul style="list-style-type: none"> <li>Do not disassemble, repair, or modify the device.</li> <li>Do not insert any foreign object into the device.</li> <li>In case of lightning, do not touch the power cord.</li> </ul>
<b>WARNING</b>	<ul style="list-style-type: none"> <li>Before carrying the device, remove the power plug from the receptacle.</li> <li>Do not place a heavy object on the device.</li> <li>To prevent possible hearing damage, do not listen at high volume levels for long periods.</li> </ul>
<b>CAUTION</b>	<ul style="list-style-type: none"> <li>Do not place a heavy object on the device.</li> <li>To prevent possible hearing damage, do not listen at high volume levels for long periods.</li> </ul>

## Rechargeable battery (Lithium polymer ion)

	To reduce the risk of fire, electric shock or product damage, <ul style="list-style-type: none"> <li>Do not attempt to replace the battery by yourself, it is built-in and is not changeable.</li> <li>Do not heat, disassemble, or short-circuit the battery. Doing so may cause the battery and power supply to generate heat, rupture, or ignite.</li> <li>Charge the battery only in an ambient temperature between 5 and 35 degrees Celsius. Otherwise, the electrolyte solution might leak, battery performance might deteriorate and the battery life might be shortened.</li> <li>Do not continue charging the battery if it does not reach full charge within the specified charging time. Overcharging may cause the battery to become hot, rupture, or ignite.</li> <li>Do not expose the battery to excessive heat such as under the sun or near the fire or the like. Overheat, leakage, or rupture may occur, resulting in burns or injury.</li> <li>Do not touch the battery fluid, rinse it off with water and consult with the doctor. If the battery fluid spills over the device, wipe it off without touching the fluid.</li> </ul>
<b>CAUTION</b>	<ul style="list-style-type: none"> <li>If you leave the battery unused for a long period of time, it will be in an over discharge state due to self discharge, and the charging capacity may deteriorate or the battery may be no longer rechargeable. Even if you are not using the battery, charge the battery once or twice a year for 4 hours each time.</li> </ul>

If you leave the battery unused for a long period of time, it will be in an over discharge state due to self discharge, and the charging capacity may deteriorate or the battery may be no longer rechargeable. Even if you are not using the battery, charge the battery once or twice a year for 4 hours each time.

## Installation

	To reduce the risk of fire, electric shock or product damage, <ul style="list-style-type: none"> <li>Place the device on a flat surface away from sources of direct sunlight or excessive heat.</li> <li>Do not install the device in a confined or built-in space such as a book case or similar area, and keep it under a well-ventilated condition. The ventilation should not be impeded by covering the ventilation openings with items such as newspaper, table-cloths, curtains, etc.</li> <li>Do not expose the device to rain, moisture, dripping, or splashing.</li> <li>Do not place objects filled with liquids, such as vases, on the device.</li> </ul>
<b>WARNING</b>	<ul style="list-style-type: none"> <li>Do not place the device on a surface that is too hot or cold.</li> <li>Do not place the device on a surface that is too wet.</li> </ul>

## Note

- If any color shift occurs on a nearby TV or the radio of the device picks up noise from the TV, keep the device away from the TV.

## Important Safety Instructions

- Read these instructions.
- Keep these instructions.
- Heed all warnings.
- Follow all instructions.
- Do not use this apparatus near water.
- Clean only with dry cloth.
- Do not block any ventilation openings. Install in accordance with the manufacturer's instructions.
- Do not install near any heat sources such as radiators, heat registers, stoves, or other apparatus (including amplifiers) that produce heat.
- Do not defeat the safety purpose of the polarized or grounding-type plug. A polarized plug has two blades with one wider than the other. A grounding type plug has two blades and a third grounding prong. The wide blade or the third prong are provided for your safety. If the provided plug does not fit into your outlet, consult an electrician for replacement of the obsolete outlet.
- Protect the power cord from being walked on or pinched particularly at plugs, convenience receptacles, and the point where they exit from the apparatus.
- Use only use attachments/accessories specified by the manufacturer.
- Use only with the cart, stand, tripod, bracket, or table specified by the manufacturer, or sold with the apparatus. When a cart is used, use caution when moving the cart/apparatus combination to avoid injury from tip-over.
- Unplug this apparatus during lightning storms or when unused for long periods of time.
- Refer all servicing to qualified service personnel. Servicing is required when the apparatus has been damaged in any way, such as power-supply cord or plug is damaged, liquid has been spilled or objects have fallen into the apparatus, the apparatus has been exposed to rain or moisture, does not operate normally, or has been dropped.
- This equipment is a Class II or double insulated electrical appliance. It has been designed in such a way that it does not require a safety connection to electrical earth.
- No naked flame sources, such as lighted candles, should be placed on the apparatus.
- Attention should be drawn to environmental aspects of battery disposal.
- The product is designed to use in moderate climates.

## FCC Radiation Exposure Statement

The device has been evaluated to meet general RF exposure requirement. The device can be used in portable exposure condition without restriction.

## FCC Statement :

This device complies with Part 15 of the FCC Rules. Operation is subject to the following two conditions: 1) This device may not cause harmful interference, and 2) This device must accept any interference received, including interference that may cause undesired operation.

**Note:** This equipment has been tested and found to comply with the limits for a Class B digital device, pursuant to part 15 of the FCC Rules. These limits are designed to provide reasonable protection against harmful interference in a residential installation. This equipment generates, uses, and can radiate radio frequency energy and, if not installed and used in accordance with the instructions, may cause harmful interference to radio communication. However, there is no guarantee that interference will not occur in a particular installation.

If this equipment does cause harmful interference to radio or television reception, which can be determined by turning the equipment off and on, the user is encouraged to try to correct the interference by one or more of the following measures:

- Reorient or relocate the receiving antenna.
- Increase the separation between the equipment and receiver.
- Connect the equipment into an outlet on a circuit different from that to which the receiver is connected.
- Consult the dealer or an experienced radio/TV technician for help.

**Caution:** Changes or modifications not expressly approved by the party responsible for compliance could void the user's authority to operate the equipment.

## IC-CANADA :

This device complies with Industry Canada license-exempt RSS standard(s). Operation is subject to the following two conditions: (1) this device may not cause interference, and (2) this device must accept any interference, including interference that may cause undesired operation of the device.

**This Class [B] digital apparatus complies with Canadian ICES-003.**

Cet appareil s'accorde avec Industrie Canada licence-exempte RSS standard. (1) cet appareil ne peut pas causer l'interférence, et (2) cet appareil doit accepter de l'interférence, y compris l'interférence qui peut causer l'opération non désirée de.

Cet appareil numérique de la classe B est conforme à la norme NMB-003 du Canada.

## California Prop 65 Warning :

**WARNING** This product contains chemicals, including lead, known to the State of California to cause cancer and birth defects or other reproductive harm. *Wash hands after handling.*

## Disclaimer

Toshiba shall not be responsible for any damage caused by an earthquake, thunderstorm, flood damage, fire for which Toshiba is not responsible, acts of a third party, other accidents, or damages caused by the user's willful acts or negligence, misuse, or use in abnormal conditions.

Toshiba shall not be responsible for any damage caused by failure to observe the information described in the operation manual.

## Disposal

When disposing of the device, observe the laws, or ordinances and rules of the local government.

This product contains a built-in lithium ion rechargeable battery. There is a risk of injury due to fire, explosion or leakage if the battery is not used, handled, replaced or disposed of properly. Dispose of the battery as required by local ordinances or regulations. Do not disassemble, crush or expose the battery to fire or high temperatures.

## About water resistance

	To use this device, <ul style="list-style-type: none"> <li>Do not place the device into hot or cold water.</li> <li>Do not pour large amounts of water onto the device.</li> <li>Do not spray with water intensely.</li> <li>Do not place the device into hot or cold water with soap, detergent, or bath agent.</li> </ul>
	Be sure the covers for the connecting terminals are closed firmly when you use the device.
	The rubber seals of the covers are made for water resistance. Do not let the rubber seals become dirty or scratched. If any foreign objects are attached to the rubber seals, wipe them with a clean dry cloth in a dry place.
	Do not open or close the covers for the connecting terminals in a location where they will be subject to water or high humidity.
<b>CAUTION</b>	<ul style="list-style-type: none"> <li>If the device falls into water or is covered with large amounts of raindrops or water, use a dry cloth to wipe it immediately.</li> <li>Open and close the covers for the connecting terminals with dry hands in a dry place after the water has been wiped off sufficiently from the device.</li> <li>Water may remain within the device after it has been wet. Shake the water off the device lightly and wipe the device.</li> <li>If water remains within the device and the device is carried around, your clothes, floor, or bed may become wet due to water dropped from the device.</li> </ul>
	The degree of protection against water for this device is equivalent to IPX4 (IP code). IPX4 means the product will not be harmfully effected by droplets from any direction. Toshiba shall not be responsible for any damage caused by water entering the device due to incorrect handling and it will not be covered by the warranty even if the warranty period is still in effect.

## About using Bluetooth®

This unit is designed for use with Bluetooth® wireless devices compatible with the A2DP and AVRC streaming audio profiles. Refer to your Bluetooth® device's user manual or technical support to determine if your Bluetooth® device supports these profiles.

## Frequency band used

This unit uses the 2.4 GHz frequency band. However other wireless devices may use 2.4 GHz frequency band as well and may cause interference with each other. To avoid interference, please refrain from the use of the unit at the same time with other wireless devices.

## Certification of this device

This unit conforms to frequency restrictions and has received certification based on frequency laws, so a wireless permit is not necessary. However, the following action is punishable by law in some countries:

- Taking apart/modifying the unit.

## Usage restrictions

- Wireless transmission and/or use with all Bluetooth® equipped devices is not guaranteed.
- A device featuring the Bluetooth® function is required to conform to the Bluetooth® standard specified by Bluetooth SIG, and be authenticated. Even if the connected device conforms to the above mentioned Bluetooth® standard, some devices may not be connected or work correctly, depending on the features or specifications of the device.

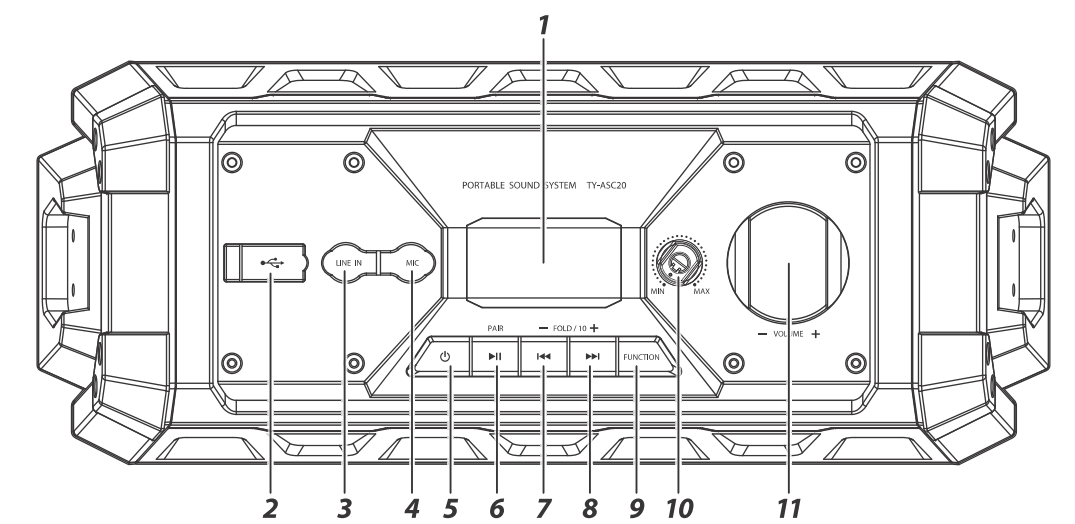
## Range of use

Use this device within an unobstructed 10 m range. The range of use or perimeter may be shortened depending on any obstructions, devices causing interference, other people in the room, or the construction of the building. Please note that the range mentioned above is not guaranteed.

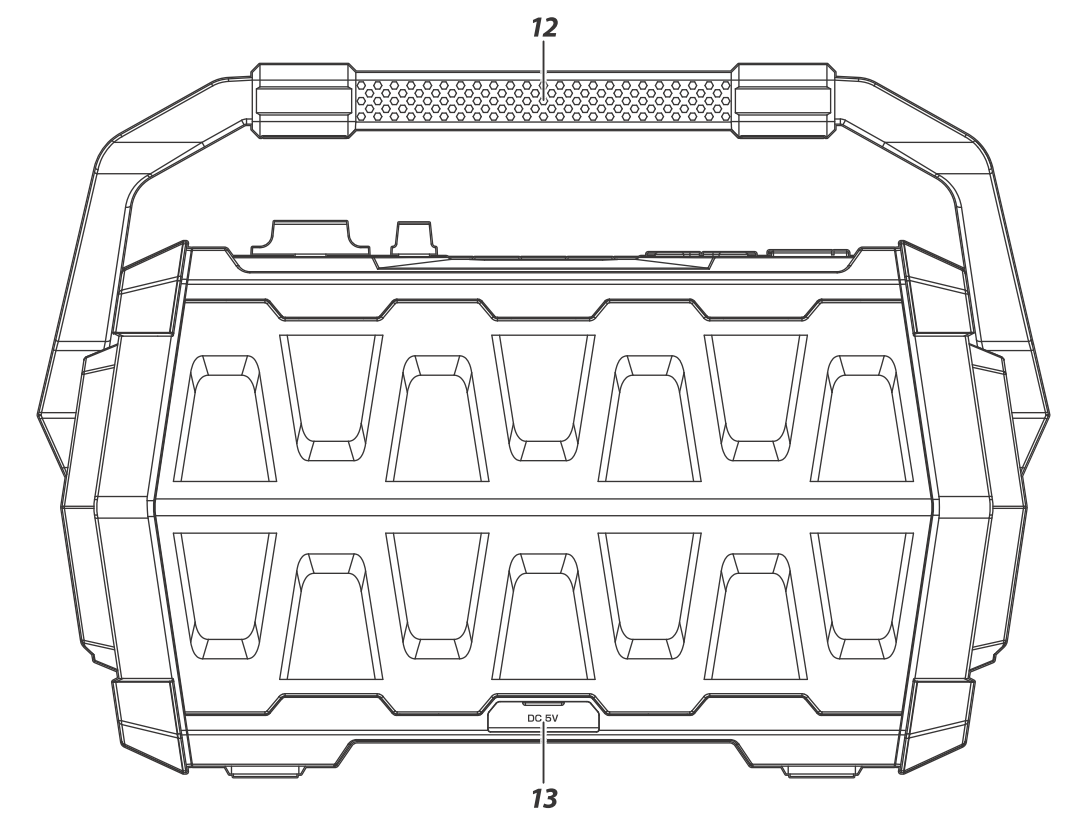
The Bluetooth® word mark and logos are owned by the Bluetooth SIG, Inc. and are used under license.

## Part names

## Top panel



## Rear panel



- Display
- USB port
- LINE IN jack
- MIC jack
- (POWER ON/OFF) button
- (PLAY/PAUSE) / PAIR button
- (PREVIOUS) / FOLD/10- button
- (NEXT) / FOLD/10+ button
- FUNCTION button
- Microphone volume knob
- VOLUME knob
- HAND shank
- Micro USB Charge Socket DC 5V input

## Charging the battery

This unit has a built-in lithium polymer ion rechargeable battery.

- Connect the Micro USB Charge Socket DC 5V input on the rear of the unit and the AC adapter using the USB charging cable.
- Connect the AC adapter to an AC power outlet.

## Note

- To check the battery level, press the (POWER) button in the power on mode. It shows the current battery capacity level (such as 25, 50, 75 or 100) on the display.

## Basic functions

## Turning the unit on/off

- Press and hold the (POWER) button to switch the unit on/off.

## Changing the function mode

- Press the FUNCTION button to choose the USB/TUNER/LINE IN/Bluetooth® function.

## Adjusting the volume

- Rotate the VOLUME knob to increase or decrease the volume.

## USB operation

## Listening to a USB device

This unit provides a USB port for music playback.

- Press the FUNCTION button to select the USB mode. "USB" blinks on the display.
- Connect a USB memory stick to the USB port. The display shows the total number of playable folders and files on the USB device.
- To start playback, press the (PLAY) button. The elapsed time of the track is shown on the display.
- To pause and resume playback, press the (PAUSE) button. While paused, the elapsed time of the track blinks on the display.
- To select a desired track, press the (NEXT) or (PREVIOUS) button while playing until the desired track appears on the display. The unit starts playing automatically.

## Notes

- To jump to +/- 10 track, press the (NEXT) or (PREVIOUS) button while paused.
- To select folder, press and hold the (NEXT) or (PREVIOUS) button while paused until the desired folder appears on the display.
- To search for a particular passage during playback, press and hold the (NEXT) or (PREVIOUS) button to fast forward and fast backward until the desired point (passage) is reached, then release the button for normal playback. Playback starts again from this point.

## Caution

- To prevent harmful interference, always connect USB device directly to the unit. Do not use a USB extension cable to connect USB device to the unit.

## Bluetooth® operation

- Press the FUNCTION button to select the Bluetooth® mode. "bt" blinks on the display.
- Following the instructions in your device's user manual, activate Bluetooth® on your device and search for the unit "TY-ASC20" and connect. Input the password "0000" if required. "bt" is shown on the display.
- Control playback with your device.
- Rotate the VOLUME knob or adjust the volume on your device to increase or decrease the volume as desired.

## Information

The last connected device is automatically paired when in range.

## Notes

- Press and hold the (PAIR) / PAIR button to disconnect the Bluetooth®.
- The Bluetooth® works best within 10 meters.
- In Bluetooth® mode, "(PLAY) / PAIR", "VOLUME", etc. are also active.

## LINE IN operation

- Press the FUNCTION button to select the LINE mode. "LiNE" is shown on the display.
- Connect your audio device to the LINE IN jack using an audio cable.
- Rotate the VOLUME knob or adjust the volume on the external device to increase or decrease the volume as desired.
- Control playback with your audio device.

## TUNER operation

## Listening to FM

- Press the FUNCTION button to select the FM mode. "FM" is shown on the display, then the FM frequency is shown on the display.
- Press the (NEXT) or (PREVIOUS) button to tune in the station. Press and hold the (NEXT) or (PREVIOUS) button to perform automatic tuning. Tuning stops automatically when a station is received. Automatic tuning may stop due to reception noise. In such a case, perform the automatic tuning again.

## Automatic tuning preset

Press and hold the (PAIR) button. The unit automatically tunes in and presets all receivable stations in your area up to 30 channels.

## Select the preset radio stations

- When radio signals are received, press the (PAIR) button. The preset number is shown on the display.
- Press the (NEXT) or (PREVIOUS) button to select the preset number when the preset number is being displayed.

## Notes

- FM noise may increase during battery charging. It is recommended to change the direction of the set and use it with less noise.

## MIC operation

Microphone input is available in USB/Bluetooth®/LINE-IN modes.

- Connect your microphone to the 3.5 mm MIC jack.
- Rotate the microphone volume knob to increase or decrease the microphone volume.

## Maintenance

### ■ Maintenance of the main unit

Wipe off stains lightly with a soft cloth. If a stain is severe, wipe it off with a cloth dampened with neutral detergent solution and wrung tightly, and dry it with a dry cloth.

- Do not use benzene or thinner, etc. Do not spray any volatile chemical such as insecticide on the cabinet.

### When you suspect a failure

Phenomenon	Cause	Remedy
Power does not come on.	• The USB charging cable is not connected to the AC Adapter.	• Check that the USB charging cable is connected securely.
No sound is output.	• The volume level is low.	• Adjust the volume level.
The unit does not operate properly.	• The unit is being interfered with static electricity etc.	• Switch off and unplug the unit. Then connect the plug to the power supply and switch it on again.

### Note

- The cabinet becomes slightly hot in some parts when the unit has been used for a long period of time, it is not a failure.

## Specifications

USB memory section	
Playback format	MP3
Memory	32 MB to 32 GB
Supported memory	USB1.1 or USB2.0
Bluetooth® section	
Bluetooth® specification	Ver. 2.1+EDR
Wireless equipment classification	Class 2
Supported profile	A2DP, AVRCP
Frequency	2,402-2,480 GHz (2.4 GHz ISM segment)
Service distance	Up to 10 m
Terminal	
Input/Output	φ 3.5 mm LINE IN jack, φ 3.5 mm MIC jack
General	
Splash proof	IPX4
AC Adapter	Input: AC 100-240 V~, 50/60 Hz Output: DC 5.0 V/2.0 A
Power consumption	10 W
Battery	Internal lithium polymer ion battery (2200 mAh)
Max. output power	2 × 10 W
Dimension	Approx. 450 (W) × 310 (H) × 200 (D) mm
Weight	Approx. 2.8 kg
Accessories	AC Adapter, USB charging cable, Operation manual

The specifications and appearance may be subject to modification without prior notice.  
The label is located on the rear or bottom enclosure.