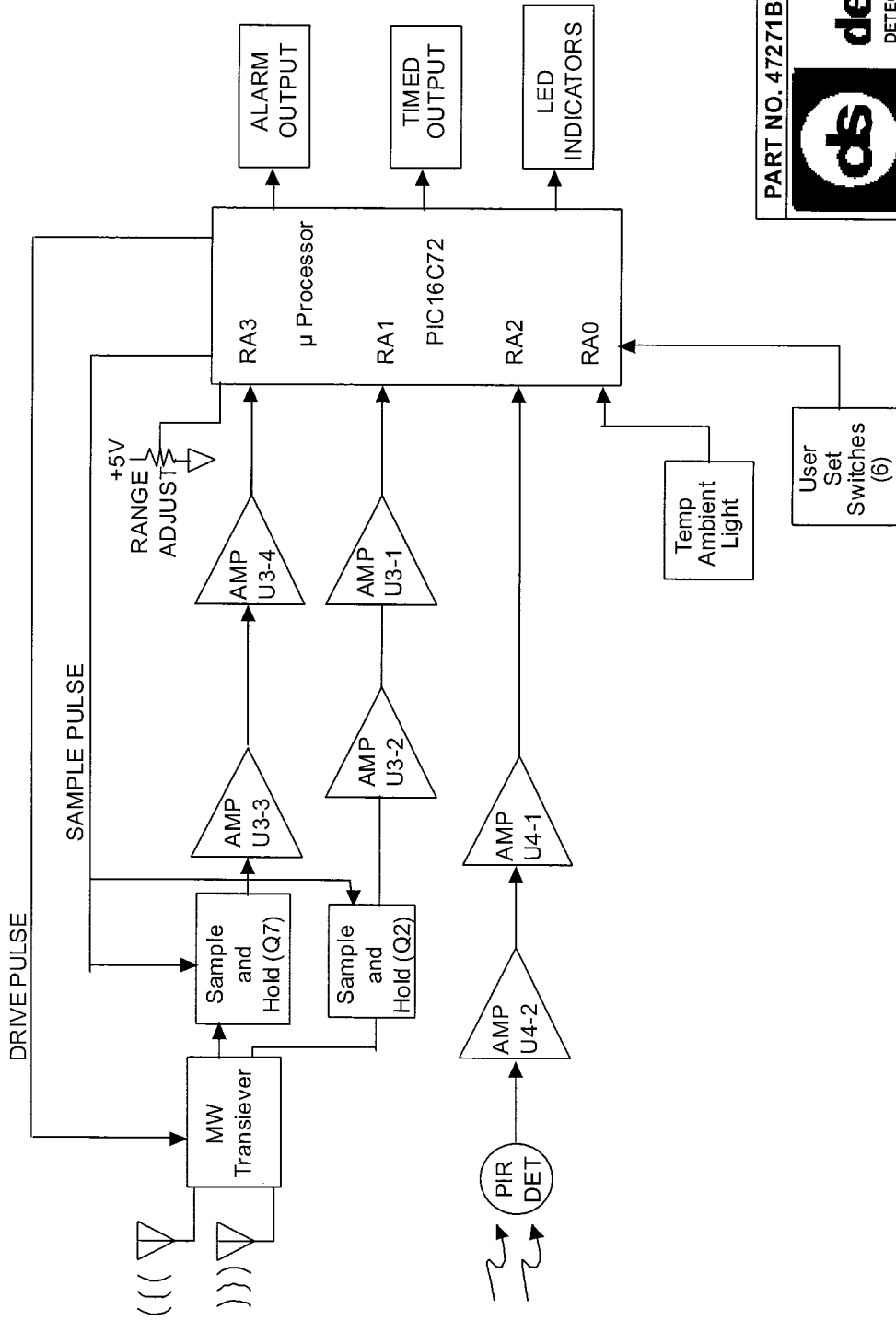


DATE	SYM	REVISION RECORD	ECR#	DR	AUTH
11/19/01	B	ACCEPTED DRAWING		SAN	RHC



PART NO. 47271B



detection systems
 DETECTION SYSTEMS, INC., 130 PERINTON PARKWAY
 FAIRPORT, NEW YORK, 14450, USA
 (716) 223 4060, FAX (716) 223 9180

DRAWING TITLE
BLOCK DIAGRAM (OD850)

DATE DRAWN 11/19/01 DRAWN BY: SAN APPR BY:

DRAWING NUMBER

A47271

Rev. B

SCALE 1:1

SHEET 1 OF 1