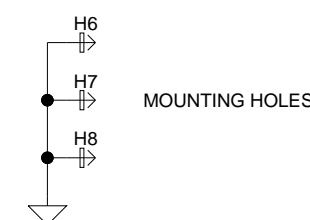
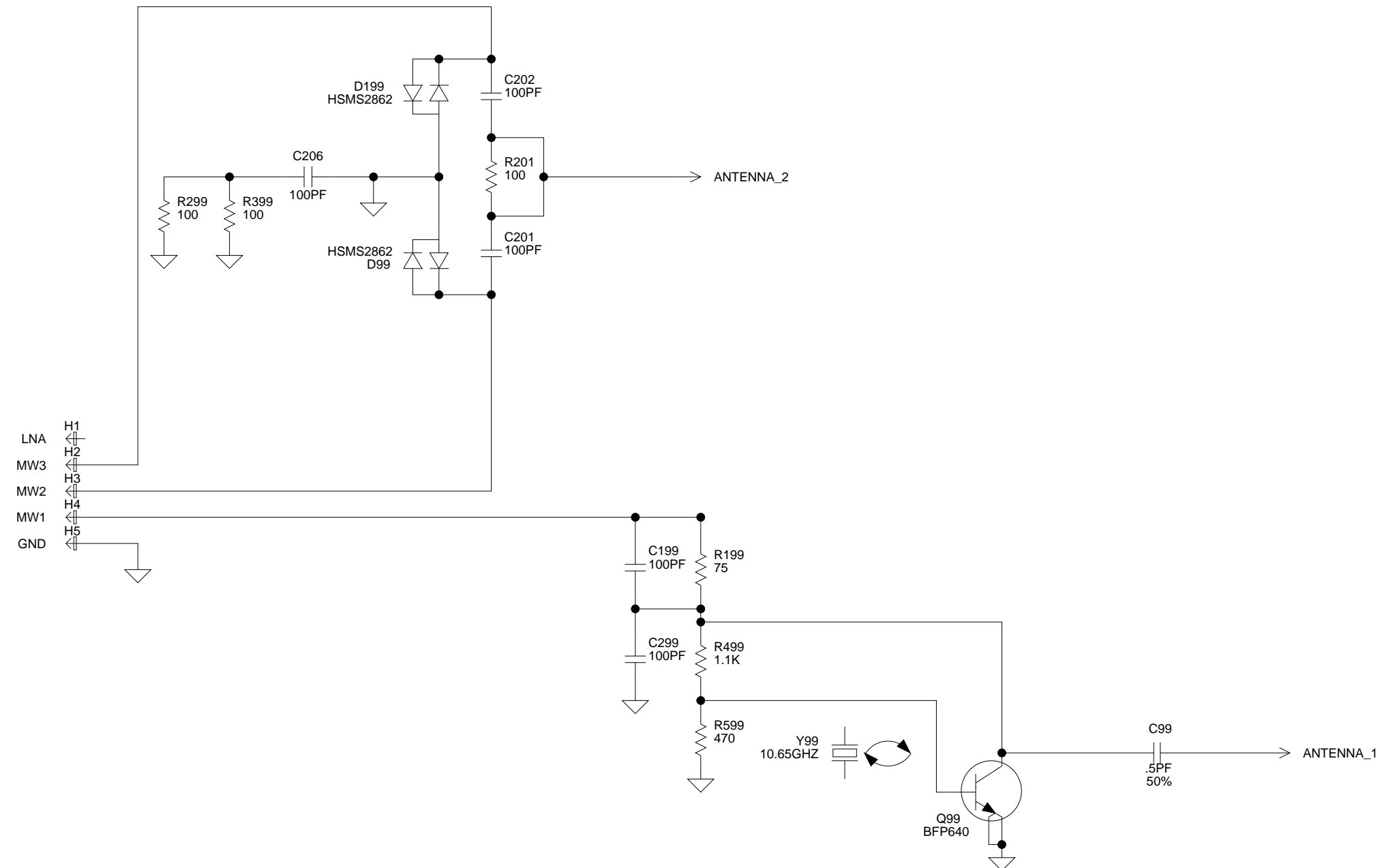


REV	DATE	DESCRIPTION	DRAWN BY
B1	2/23/04	DELETED R399	KEN A.
C	5/20/04	ABOVE IN ERROR. IT IS C399 THAT WAS DELETED.	KEN A.
D	11/29/04	ECR 18223. DELETE SEVERAL PARTS.	KEN A.



11-29-2004_16:00

**** PROPRIETARY DATA ****
 Data contained herein shall not be used, duplicated or disclosed in whole or in part outside Bosch Security Systems, without expressed written permission of same

BOSCH SECURITY SYSTEMS 130 PERINTON PARKWAY FAIRPORT, NEW YORK 14450-9199 U.S.A. TEL: (585) 223-4060 FAX: (585) 223-9180		<h1>BOSCH</h1>	
		<h2>OD850MW SCHEMATIC</h2>	
Design Approval	Initial/Date	Title	
Design Review Date			
Manuf. Reviewed			
Test Reviewed		Drawn By: T.A. FRAYDA	
Release Approval		Created 15MAY03	PART NUMBER REV.
Release Date		SHEET 1 OF 1	C4998138558 D