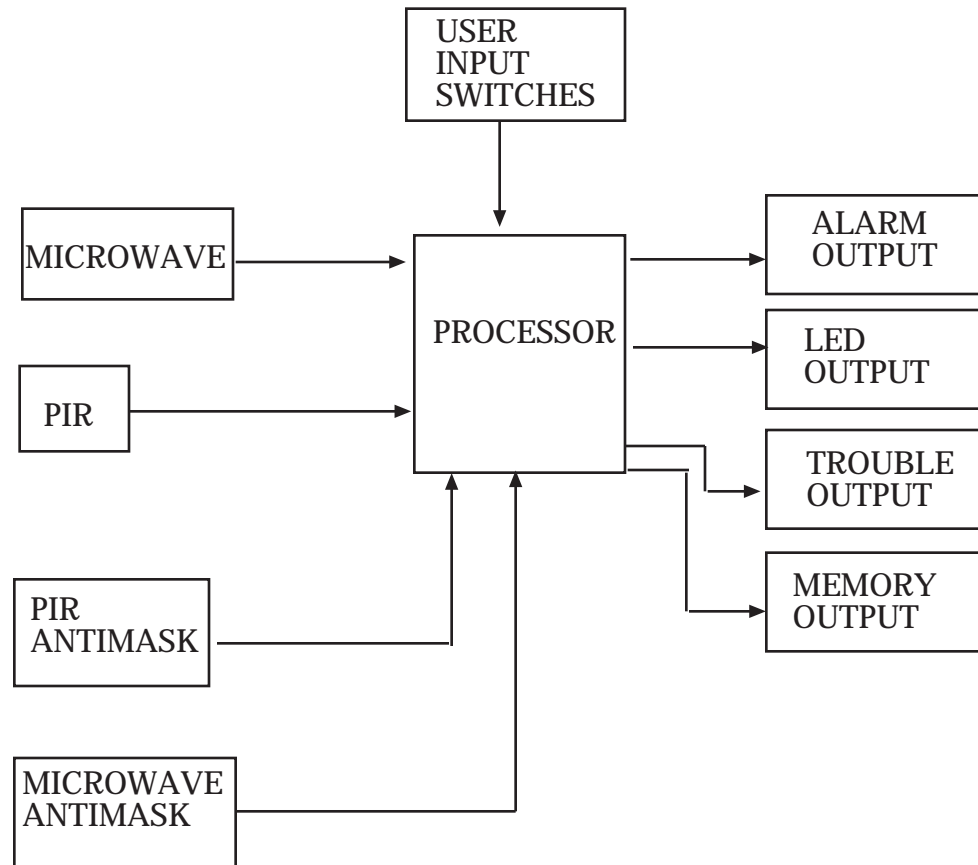


DATE	SYM	REVISION RECORD	ECR#	DR	AUTH
4/29/99	B	ACCEPTED DRAWING		SAN	EMH
3/10/00	C	ADDED MISSING MICROWAVE ANITMASK	10596	SAN	EMH
5/11/00	D	ANTIMASK WAS INCORRECTLY SPELLED	11076	SAN	EMH



PROPRIETARY DATA  
 DATA CONTAINED HEREIN SHALL NOT BE USED,  
 DUPLICATED OR DISCLOSED IN WHOLE OR PART  
 OUTSIDE DETECTIONS SYSTEMS INC. WITHOUT  
 EXPRESSED WRITTEN PERMISSION OF SAME.

PART NO. 41387B

**DETECTION SYSTEMS, INC.**



130 PERINTON PARKWAY  
 FAIRPORT, NEW YORK, 14450-9099, USA  
 (716) 223 4060, FAX (716) 223 9180

DRAWING TITLE  
**BLOCK DIAGRAM (DS720i)**

DATE DRAWN 4/29/99 DRAWN BY: SAN APPR BY:

DRAWING NUMBER **A41387** SCALE SHEET 1 OF 1

**REV-D**