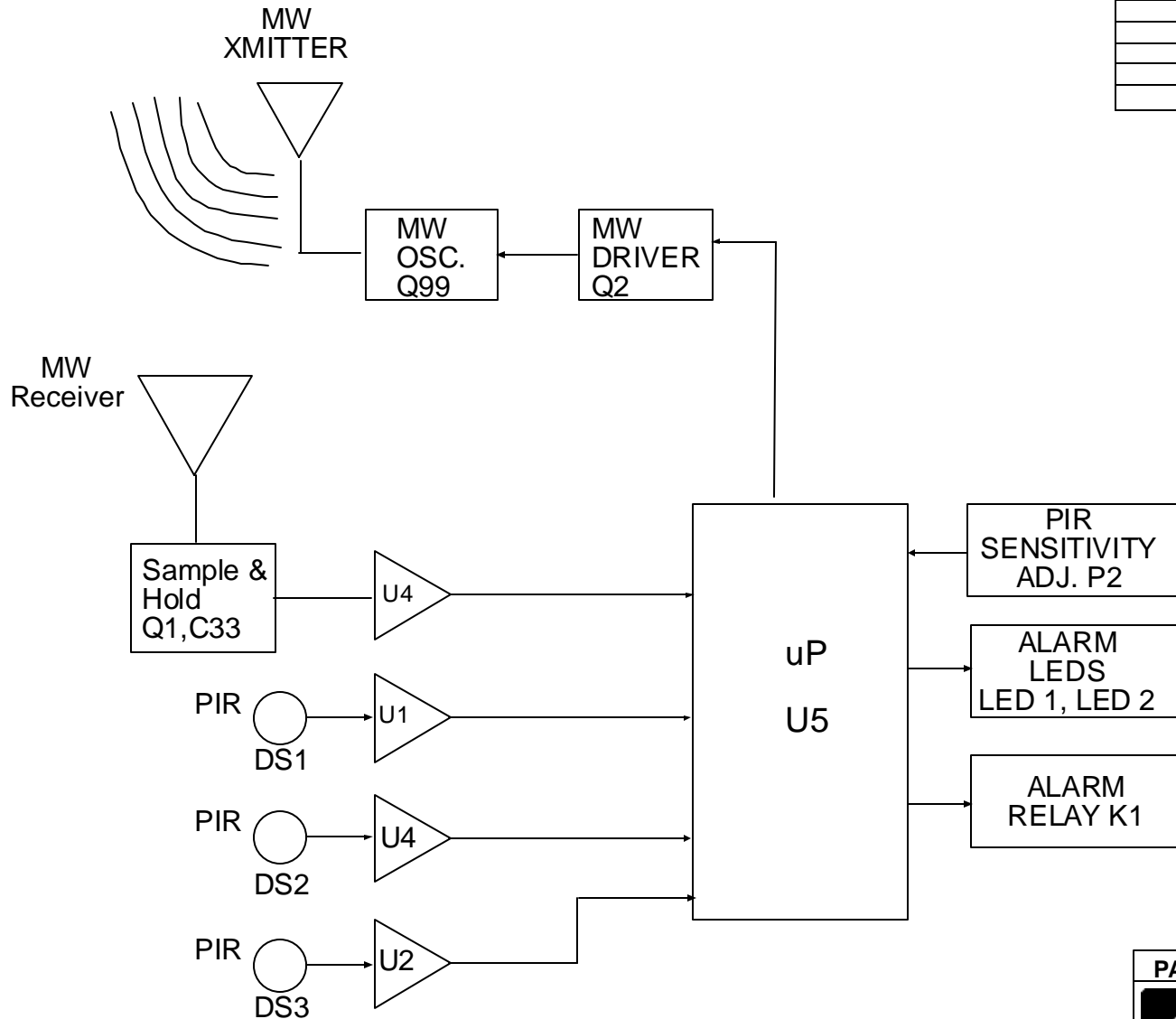



DATE	SYM	REVISION RECORD	ECR#	DR	AUTH
06/22/01	B	ACCEPTED DRAWING		SAN	BD



PROPRIETARY DATA
 DATA CONTAINED HEREIN SHALL NOT BE USED,
 DUPLICATED OR DISCLOSED IN WHOLE OR PART
 OUTSIDE OF DETECTION SYSTEMS, INC.,
 WITHOUT EXPRESSED WRITTEN PERMISSION OF SAME.

PART NO. 46477B	
 detection systems DETECTION SYSTEMS, INC., 130 PERINTON PARKWAY FAIRPORT, NEW YORK, 14450, USA (716) 223 4060, FAX (716) 223 9180	
DRAWING TITLE BLOCK DIAGRAM - DS9370	
DATE DRAWN 06/22/01	DRAWN BY: SAN APPR BY:
DRAWING NUMBER A46477	Rev. B
SCALE 1:1 SHEET 1 OF 1	