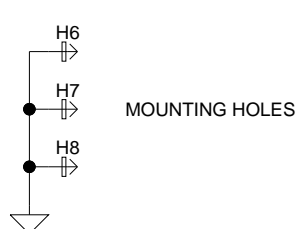
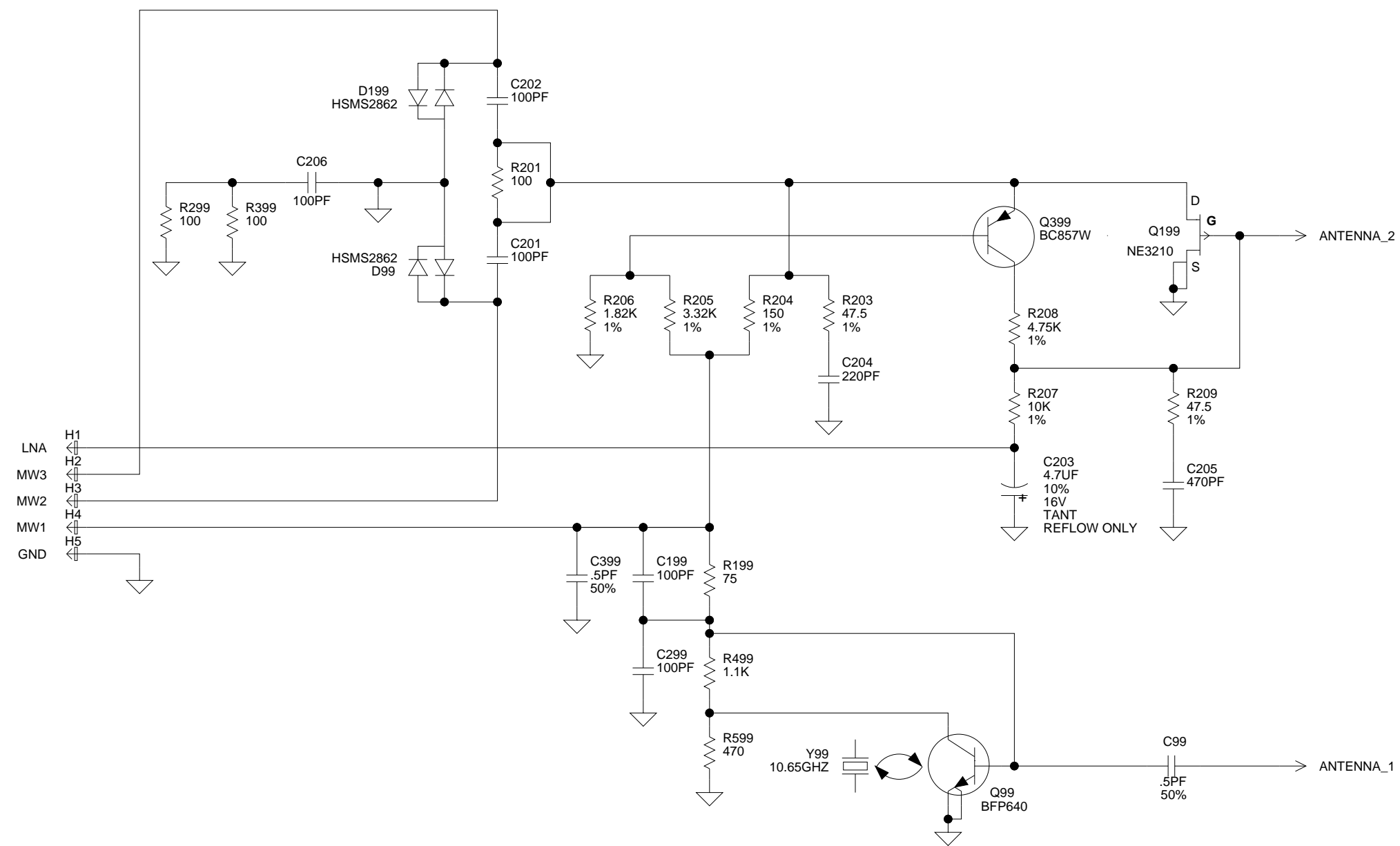


REV	DATE	DESCRIPTION	DRAWN BY
B	16JUN03	INITIAL RELEASE	TAF



6-16-2003\_12:33

\*\*\*\* PROPRIETARY DATA \*\*\*\*  
 Data contained herein shall not be used, duplicated or disclosed in whole or in part outside Bosch Security Systems, without expressed written permission of same

BOSCH SECURITY SYSTEMS 130 PERINTON PARKWAY FAIRPORT, NEW YORK 14450-9199 U.S.A. TEL: (585) 223-4060 FAX: (585) 223-9180		<h1 style="margin: 0;">BOSCH</h1>	
		<h2 style="margin: 0;">OD850MW SCHEMATIC</h2>	
Design Approval	Initial/Date	Title	
Design Review Date			
Manuf. Reviewed			
Test Reviewed		Drawn By: T.A. FRAYDA	
Release Approval	Created 15MAY03	PART NUMBER	REV.
Release Date	SHEET 1 OF 1	C4998138558	B

PART #	QTY	REFDES	COMP_CLASS	DEVICE	COST/PER	TOTAL COST
	8	H1,H2,H3,H4,H5,H6,H7,H8				
2734353013	5	C199,C201,C202,C206,C299	CAPACITOR	100PF	0.0035	0.01750
27140	1	C203	CAPACITOR	4.7UF	0.06	0.06000
41919	2	D99,D199	DIODE	HSMS2862	0.2	0.40000
42559	3	R201,R299,R399	RESISTOR	100	0.0007	0.00210
44493	2	C99,C399	CAPACITOR	.5PF	0.01	0.02000
46200	1	R199	RESISTOR	75	0.0015	0.00150
46217	1	R599	RESISTOR	470	0.0008	0.00080
46225	1	R499	RESISTOR	1.1K	0.0015	0.00150
48613	1	Y99	CRYSTAL	10.65GHZ	0.35	0.35000
48769	1	Q199	FET	NE3210	0.74313	0.74313
4998118402	1	R208	RESISTOR	4.75K	0.0018	0.00180
4998119483	2	R203,R209	RESISTOR	47.5	0.0018	0.00360
4998119489	1	R204	RESISTOR	150	0.0018	0.00180
4998119505	1	R206	RESISTOR	1.82K	0.0018	0.00180
4998119508	1	R205	RESISTOR	3.32K	0.0018	0.00180
4998119514	1	R207	RESISTOR	10K	0.0018	0.00180
4998130173	1	C204	CAPACITOR	220PF	0.01	0.01000
4998130175	1	C205	CAPACITOR	470PF	0.01	0.01000
4998132785	1	Q399	TRANSISTOR	BC857W	0.04	0.04000
4998141671	1	Q99	TRANSISTOR	BFP640	0.71346	0.71346
	---					-----
	37					2.38