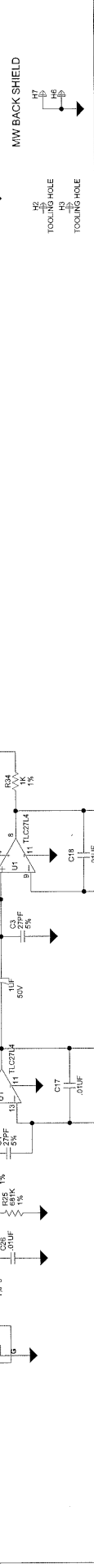
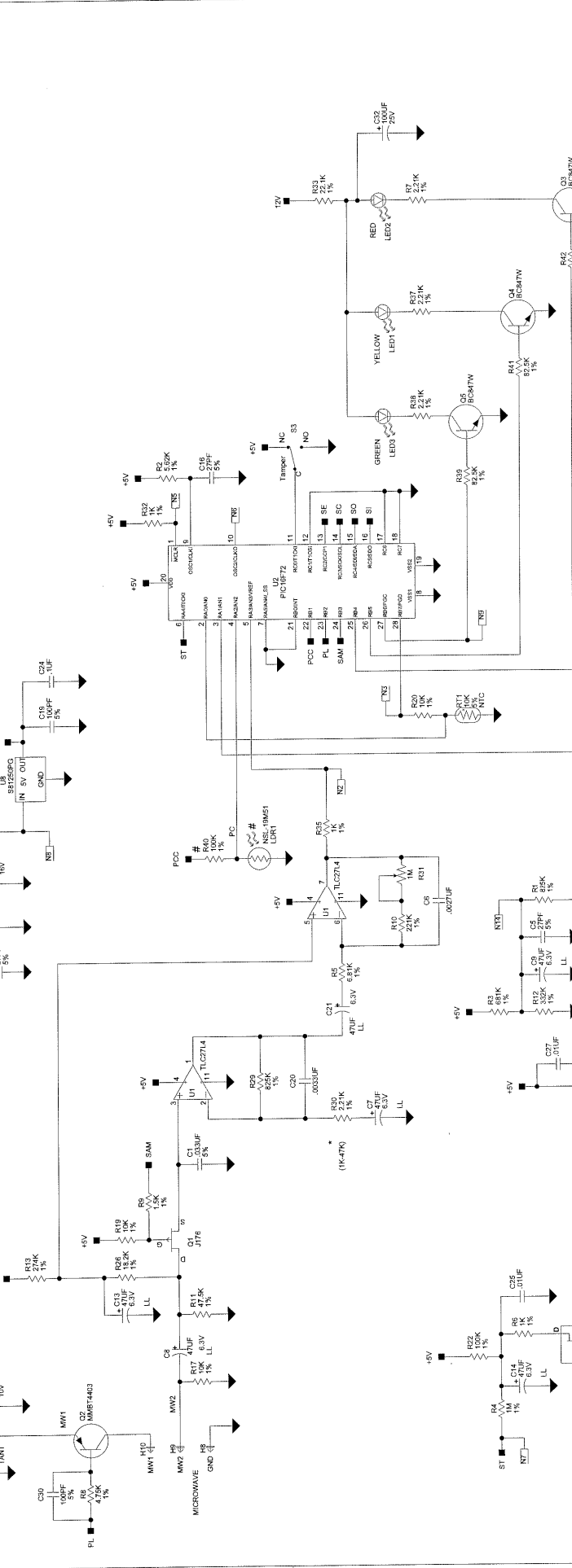
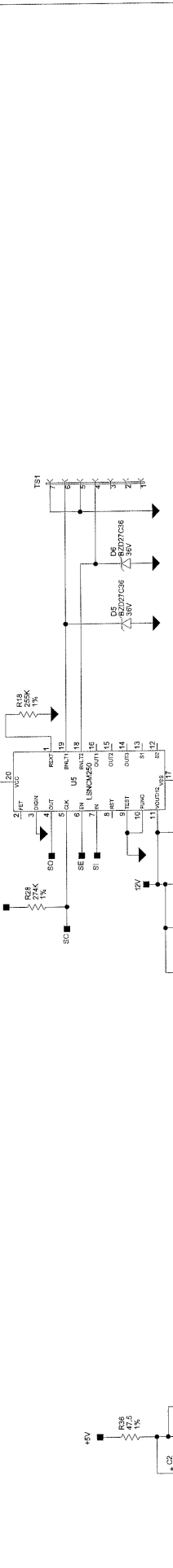


REV	DATE	DESCRIPTION	DRAWN BY
B	19MAY03	INITIAL RELEASE	TAF



**BOSCH**

BOSCH SECURITY SYSTEMS  
 130 PERINTON PARKWAY  
 FAIRPORT, NEW YORK 14450-9199 U.S.A.  
 TEL: (885) 223-4080  
 FAX: (885) 223-9780

DS840LSN  
 SCHEMATIC

5-15-2003, 10:39

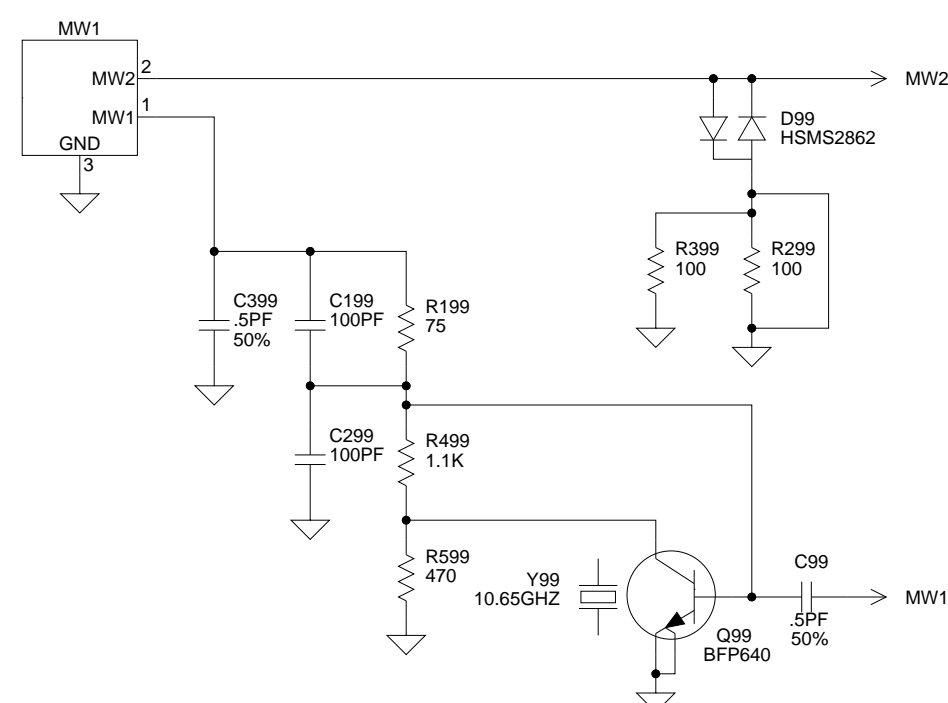
\*\*\*\*\* PROPRIETARY DATA \*\*\*\*\*  
 Data contained herein shall not be  
 used, duplicated or disclosed in whole  
 or in part outside Bosch Security Systems,  
 without express written permission of same.

# NOT USED  
 \* SEE BOM

Design Approval	
Design Release Date	
Manufact. Reviewed	
Test Reviewed	
Release Approval	
Release Date	

Drawn By: BLD/Phoa  
 Created: 8-30-02  
 SHEET 1 OF 1  
 PART NUMBER: C4998122797  
 REV: B

REV	DATE	DESCRIPTION	DRAWN BY
C	06MAY03	INITIAL RELEASE	TAF



BOSCH SECURITY SYSTEMS  
130 PERINTON PARKWAY  
FAIRPORT, NEW YORK 14450-9199 U.S.A.  
TEL: (585) 223-4060  
FAX: (585) 223-9180

**BOSCH**

Design Approval	Initial/Date	Title <b>DS840 LSMW MICROWAVE ANTENNA SCHEMATIC</b>
Design Review Date		
Manuf. Reviewed		
Test Reviewed		
Release Approval	Drawn By: T.A. FRAYDA	PART NUMBER <b>C4998122455</b>
Release Date	Created 06MAY03	
	SHEET 1 OF 1	REV. <b>C</b>

\*\*\*\* PROPRIETARY DATA \*\*\*\*  
Data contained herein shall not be used, duplicated or disclosed in whole or in part outside Bosch Security Systems, without expressed written permission of same

PART #	QTY	REFDES	COMP_CLASS	DEVICE	COST/PER	TOTAL COST
	1	MW1	UWAVE			
2734353013	2	C199,C299	CAPACITOR	100PF	0.0035	0.00700
41919	1	D99	DIODE	HSMS2862	0.2	0.20000
42559	2	R299,R399	RESISTOR	100	0.0007	0.00140
44493	2	C99,C399	CAPACITOR	.5PF	0.01	0.02000
46200	1	R199	RESISTOR	75	0.0015	0.00150
46217	1	R599	RESISTOR	470	0.0008	0.00080
46225	1	R499	RESISTOR	1.1K	0.0015	0.00150
48613	1	Y99	CRYSTAL	10.65GHZ	0.35	0.35000
4998141671	1	Q99	TRANSISTOR	BFP640	0.71346	0.71346
	---					-----
	13					1.30