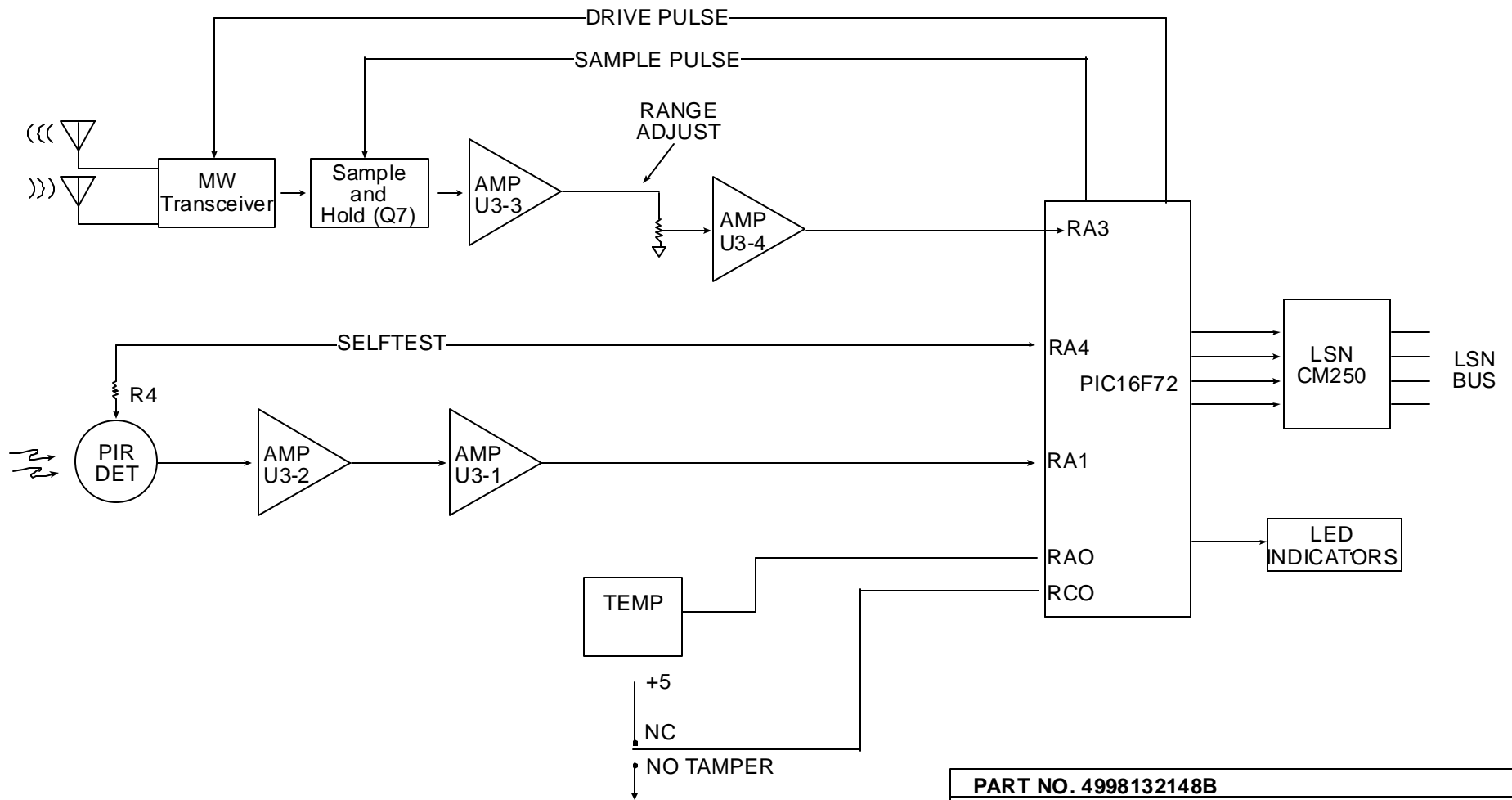


DATE	SYM	REVISION RECORD	ECR#	DR	AUTH
09/10/03	B	ACCEPTED DRAWING		LAL	RHC



**PART NO. 4998132148B**

BOSCH SECURITY SYSTEMS  
 130 PERINTON PARKWAY  
 FAIRPORT, NEW YORK, 14450-9199 USA  
 (585) 223 4060  
 FAX (585) 223 9180

**BOSCH**

DRAWING TITLE  
**BLOCK DIAGRAM (DS840LSN)**

DATE DRAWN: 09/10/03      DRAWN BY: LAL    APPR BY:

DRAWING NUMBER  
**A4998132148**

Rev. B

SCALE  
 SHEET 1 OF 1