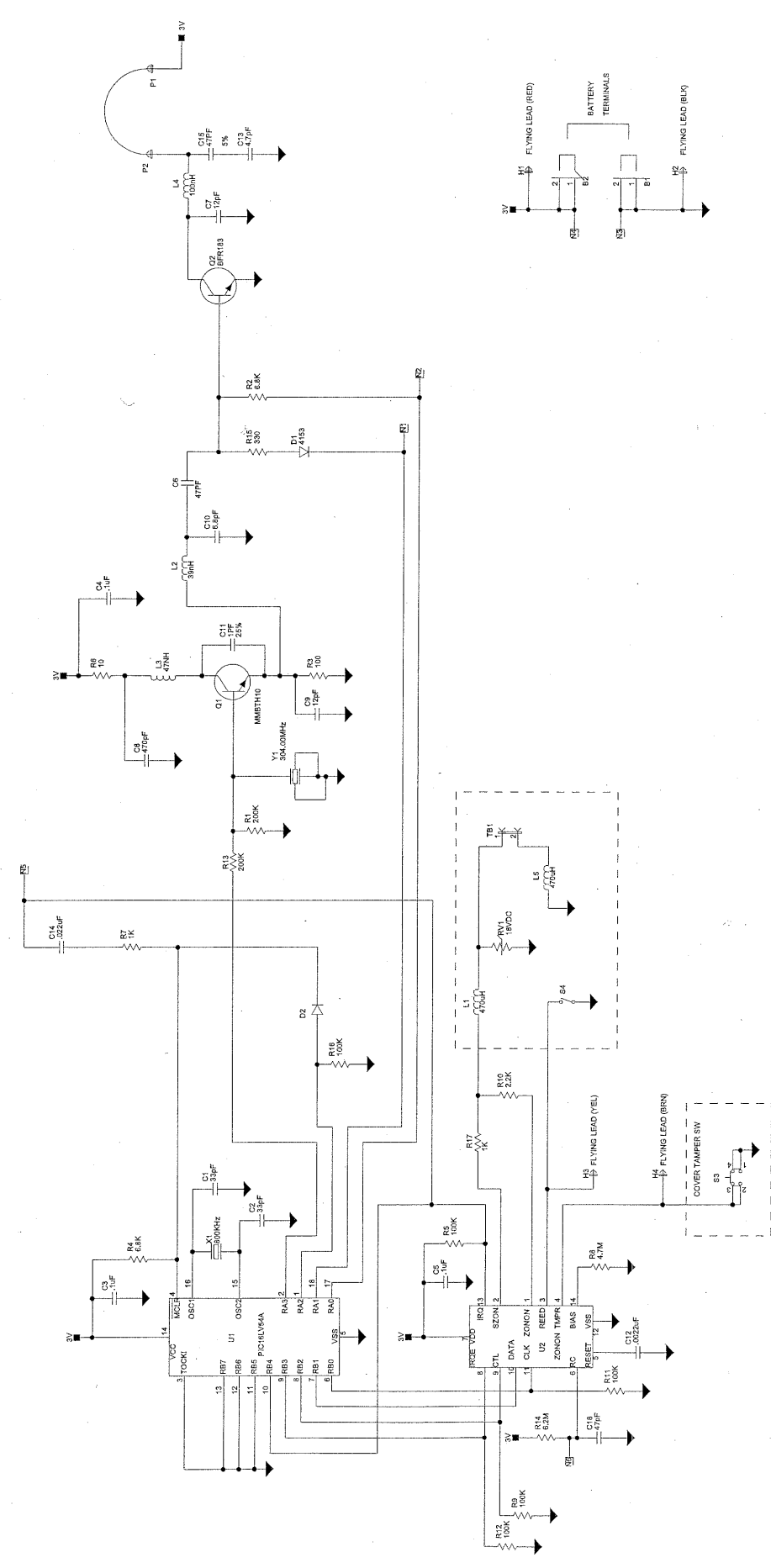


REV	DATE	DESCRIPTION	DRAWN BY
B	14AUG03	INITIAL RELEASE	TAF
C	15JUN04	ECR 17725	TAF



**BOSCH**

BOSCH SECURITY SYSTEMS  
 130 FERNTON PARKWAY  
 FAIRPORT, NEW YORK 14450-5199 U.S.A.  
 TEL: (888) 223-8190  
 FAX: (888) 223-8190

RF1100 (GLASSBREAK TX)  
 SCHEMATIC

Initial Date: 6-15-2004, 1322  
 Design Approval: \*\*\*\*\* PROPRIETARY DATA \*\*\*\*\*  
 Design Review Date: Do not reproduce or distribute  
 Manuf. Reviewed: used, modified or reworked in the  
 Test Reviewed: or in part outside Bosch Security Systems,  
 Release Approval: without expressed written permission of same  
 Release Date: 6-15-2004, 1322

Dimension: TAF, FRN/DA  
 Created: TMA/03  
 SHEET: 1 OF 1  
 PART NUMBER: C4998138676

\*\*\*\*\* PROPRIETARY DATA \*\*\*\*\*  
 Do not reproduce or distribute  
 used, modified or reworked in the  
 or in part outside Bosch Security Systems,  
 without expressed written permission of same

FID1  
 HM1

FID2  
 SM2GC

HM2  
 TOOLING HOLE

ENCLOSURE OPTION, COMPARTMENT  
 SEE BOM TO DETERMINE PRESENCE AND VALUE.