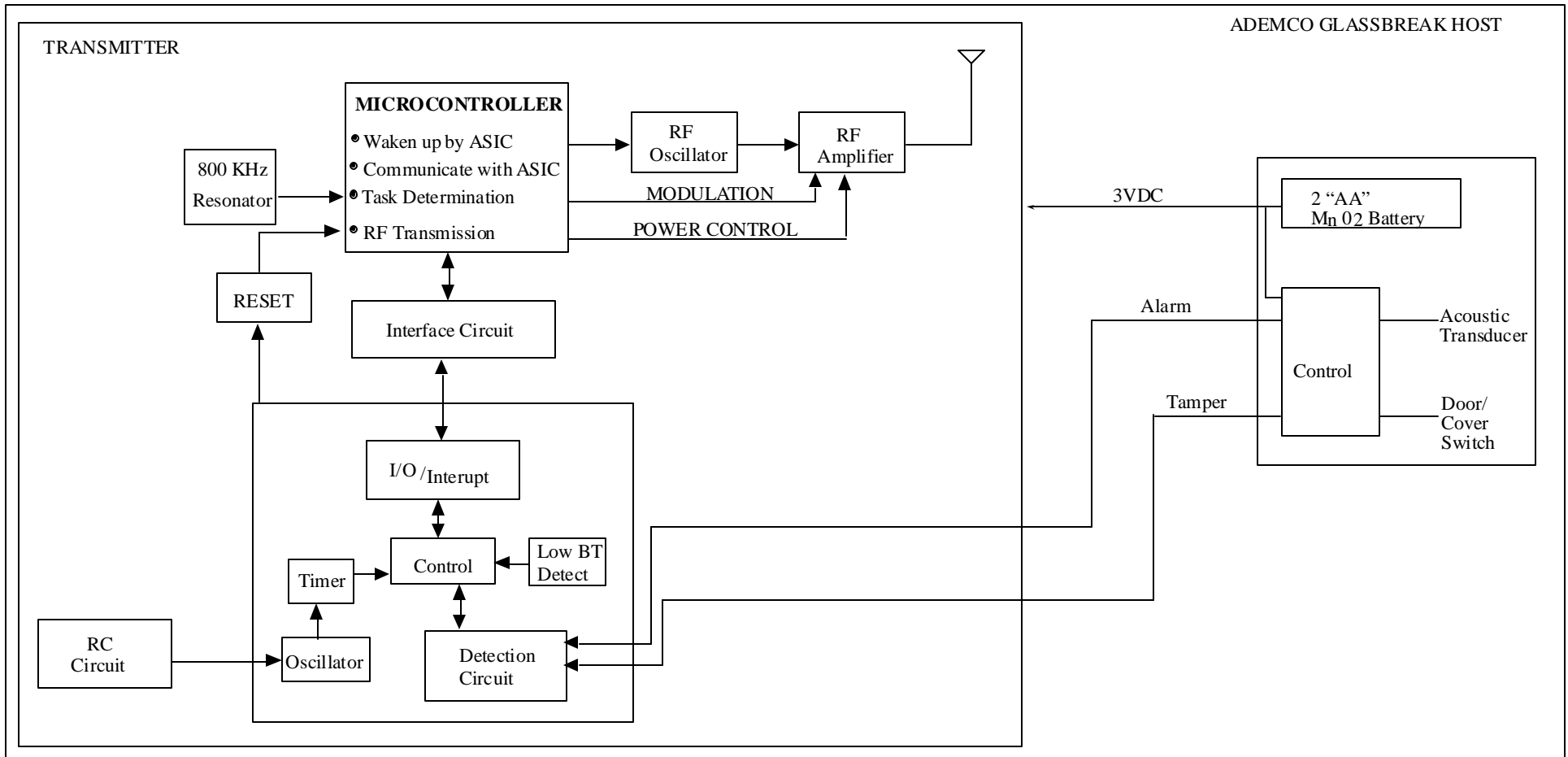


DATE	SYM	REVISION RECORD	ECR#	DR	AUTH
09/08/03	B	ACCEPTED DRAWING		LAL	MB1



**PART NO. 4998138678B**

BOSCH SECURITY SYSTEMS  
 130 PERINTON PARKWAY  
 FAIRPORT, NEW YORK, 14450-9199 USA  
 (585) 223 4060  
 FAX (585) 223 9180

**BOSCH**

DRAWING TITLE  
**BLOCK DIAGRAM RF100**

DATE DRAWN: 09/08/03      DRAWN BY: LAL    APPR BY:

DRAWING NUMBER      SCALE  
**A4998138678      Rev. B**

SHEET 1 OF 1