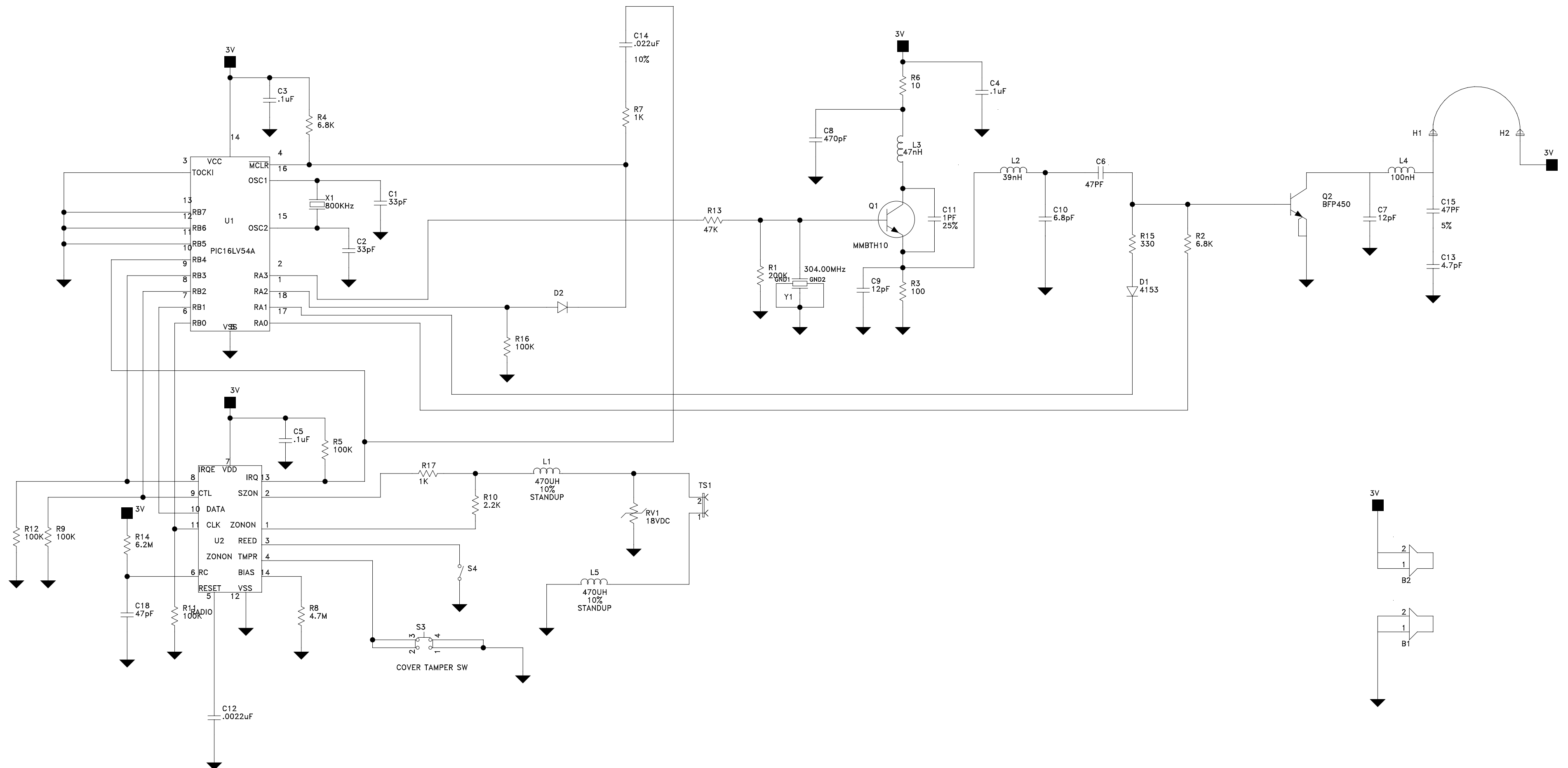


REV	DATE	DESCRIPTION	DRAWN BY
A1	13SEP02	PROTO	KDS

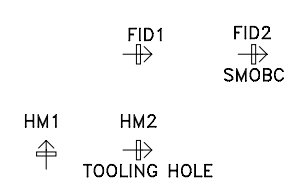


A

A

B

B



\*\*\*\* PROPRIETARY DATA \*\*\*\*  
Data contained herein shall not be used, duplicated or disclosed in whole or in part outside Bosch Security Systems, without expressed written permission of same

BOSCH SECURITY SYSTEMS  
130 PERINTON PARKWAY  
FAIRPORT, NEW YORK 14450-9199 U.S.A.  
TEL: (585) 223-4060  
FAX: (585) 223-9180

**BOSCH**

Design Approval	Initial/Date	Title <b>SE3403</b> <b>SCHEMATIC</b>
Design Review Date		
Manuf. Reviewed		
Test Reviewed	Drawn By: <b>KDS</b>	PART NUMBER <b>4998122485</b>
Release Approval	Created <b>13SEP02</b>	
Release Date	SHEET <b>1</b> OF <b>1</b>	REV. <b>A1</b>