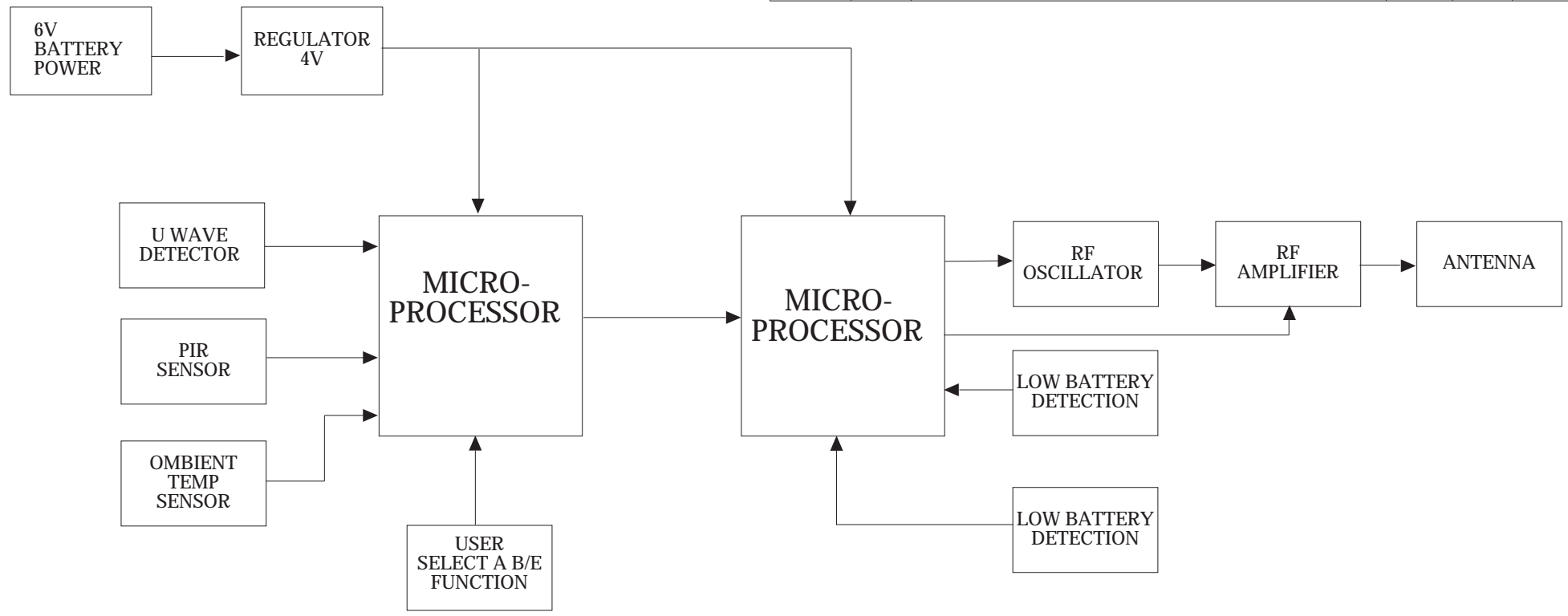


DATE	SYM	REVISION RECORD	ECR#	DR	AUTH
06/22/99	B	ACCEPTED DRAWING		LAL	EMH



# DETECTION SYSTEMS, INC.



130 PERINTON PARKWAY  
 FAIRPORT, NEW YORK, 14450-9099, USA  
 (716) 223 4060, FAX (716) 223 9180

DRAWING TITLE	
BLOCK DIAGRAM (RF835)	
DATE DRAWN 06/22/99	DRAWN BY: LAL APPR BY:
DRAWING NUMBER	SCALE
A40143	REV-B
SHEET 1 OF 1	