

REV	DATE	DESCRIPTION	DRAWN BY
B	1-1-58	RELEASED	R/J
C	1-1-58	PER ECR-7452	R/WJ
D	1-1-58	PER ECR-7851	MDK A.
E	1-1-58	PER ECR-7739	R/WJ
F	1-1-58	PER ECR-7843	R/WJ
G	1-1-58	PER ECR-8501	R/WJ

**49**

Detection Systems Inc.  
 130 Perinton Parkway  
 Fairport, New York 14450-1199  
 Ph: (716) 342-9000 Fax: (716) 342-0100

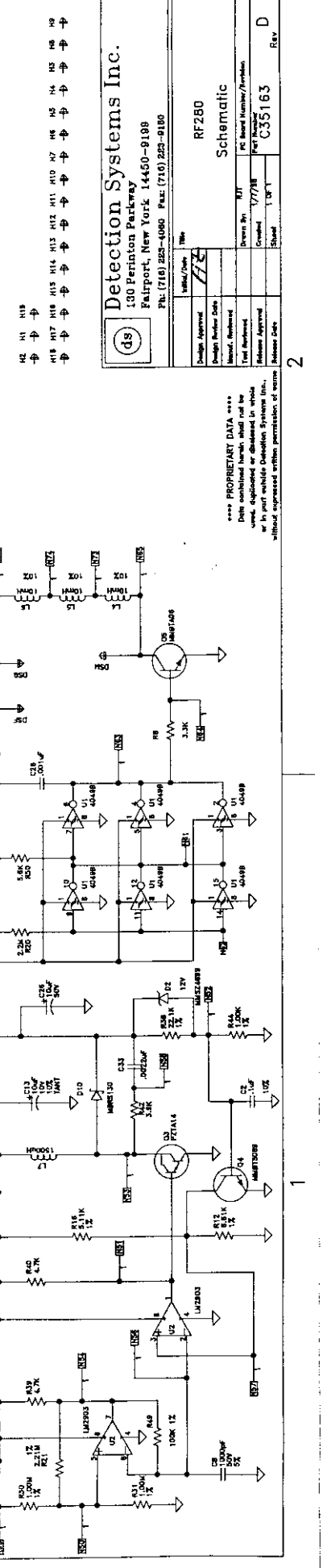
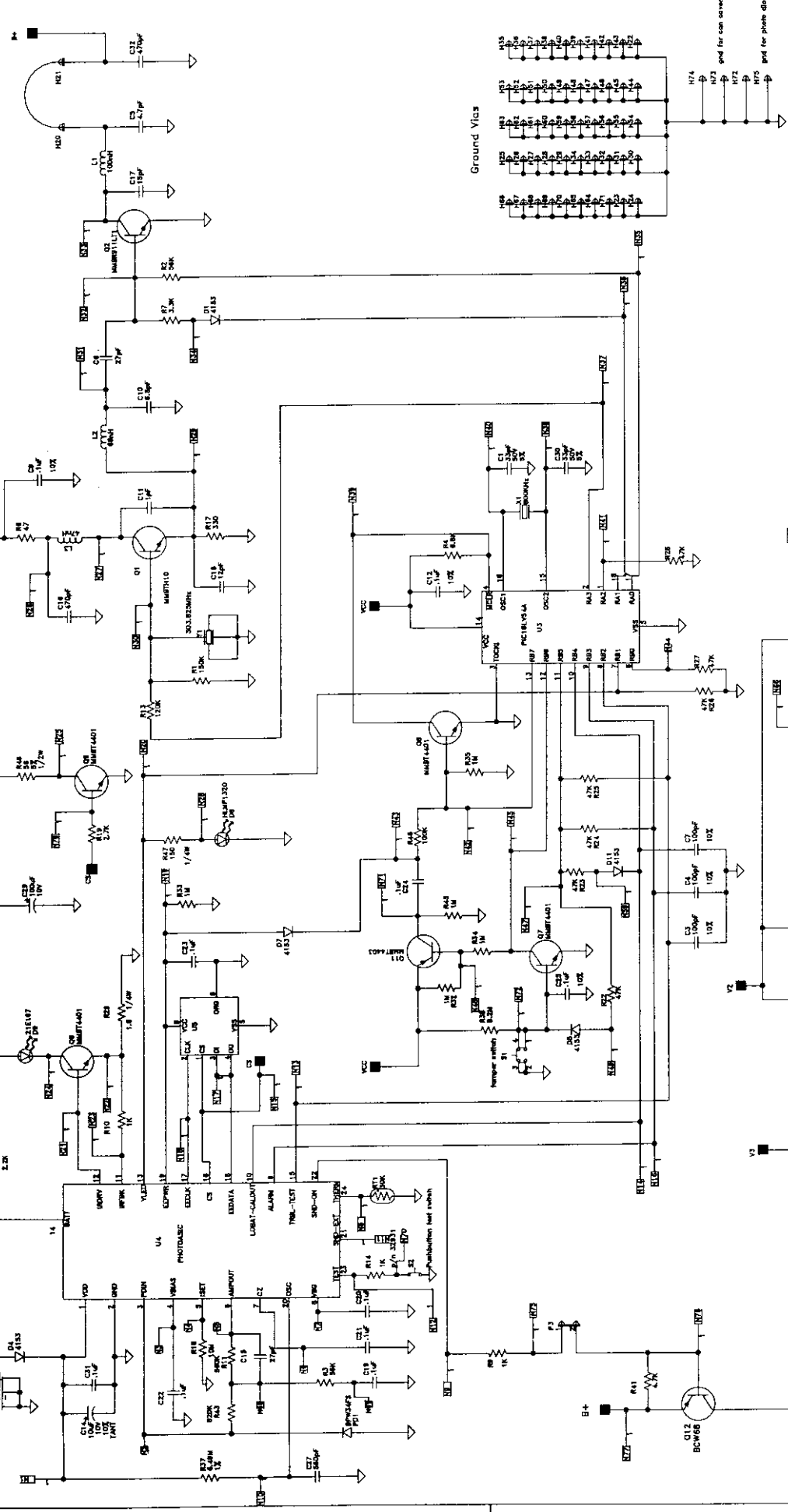
RF280  
 Schematic

Issue No: 1/77  
 Issue Date: 1/77  
 Issue By: [Signature]  
 Issue For: [Signature]

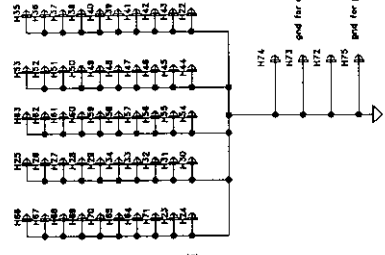
Part No: C35163  
 Rev: G

THIS PROPRIETARY DATA UNIT...  
 Data contained herein shall not be...  
 used, duplicated or disclosed in whole...  
 or in part without Detection Systems Inc. written consent except insofar as may be...  
 required by applicable laws and regulations.

REV	DATE	DESCRIPTION	DRAWN BY
B	1-2-66	RELEASED	RJT
C	2-4-66	PER ECR-7452	RWJ
D	4-09-68	PER ECR-7739	



Ground Vias



- H1 H19
- H2 H28
- H3 H37
- H4 H46
- H5 H55
- H6 H64
- H7 H73
- H8 H82
- H9 H91
- H10 H100
- H11 H109
- H12 H118
- H13 H127
- H14 H136
- H15 H145
- H16 H154
- H17 H163
- H18 H172
- H19 H181
- H20 H190
- H21 H199
- H22 H208
- H23 H217
- H24 H226
- H25 H235

**Detection Systems Inc.**  
 130 Perinton Parkway  
 Fairport, New York 14450-9109  
 Ph: (716) 255-4080 Fax: (716) 255-9100

Design Approved	1/77
Design Review Date	1/77
Manufact. Approved	1/77
Test Approved	1/77
Release Approved	1/77
Release Date	1/77

RF280 Schematic  
 PC Board Number/Revision  
 C35163 Rev D

\*\*\* PROPRIETARY DATA \*\*\*  
 Data contained herein shall not be  
 disclosed, copied, or otherwise  
 used in any other Detection Systems Inc.  
 product without express written permission of owner.