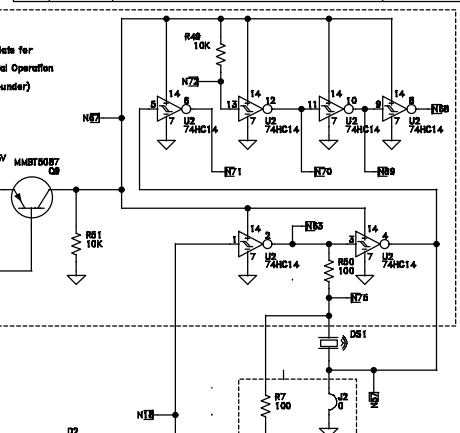


REV	DATE	DESCRIPTION	DRAWN BY
A11	3/10/99	PROTO	RMJ



**ds** Detection Systems Inc.  
 130 Perinton Parkway  
 Fairport, New York 14450-9199  
 Ph: (716) 228-4060 Fax: (716) 228-9180

Initial/Date		Title	
		RF3341 Keypad	
		Schematic	
Design Approval		Drawn By: M. Gray	PART NUMBER: C36015
Design Review Date		Dated: 8/26/99	REV: A11
Manuf. Reviewed			
Test Rev/ed			
Release Approval			
Release Date		SHEET 1 OF 1	

\*\*\*\*\* PROPRIETARY DATA \*\*\*\*\*  
 Data contained herein shall not be  
 used, duplicated or disclosed in whole  
 or in part outside Detection Systems Inc.,  
 without expressed written permission of same