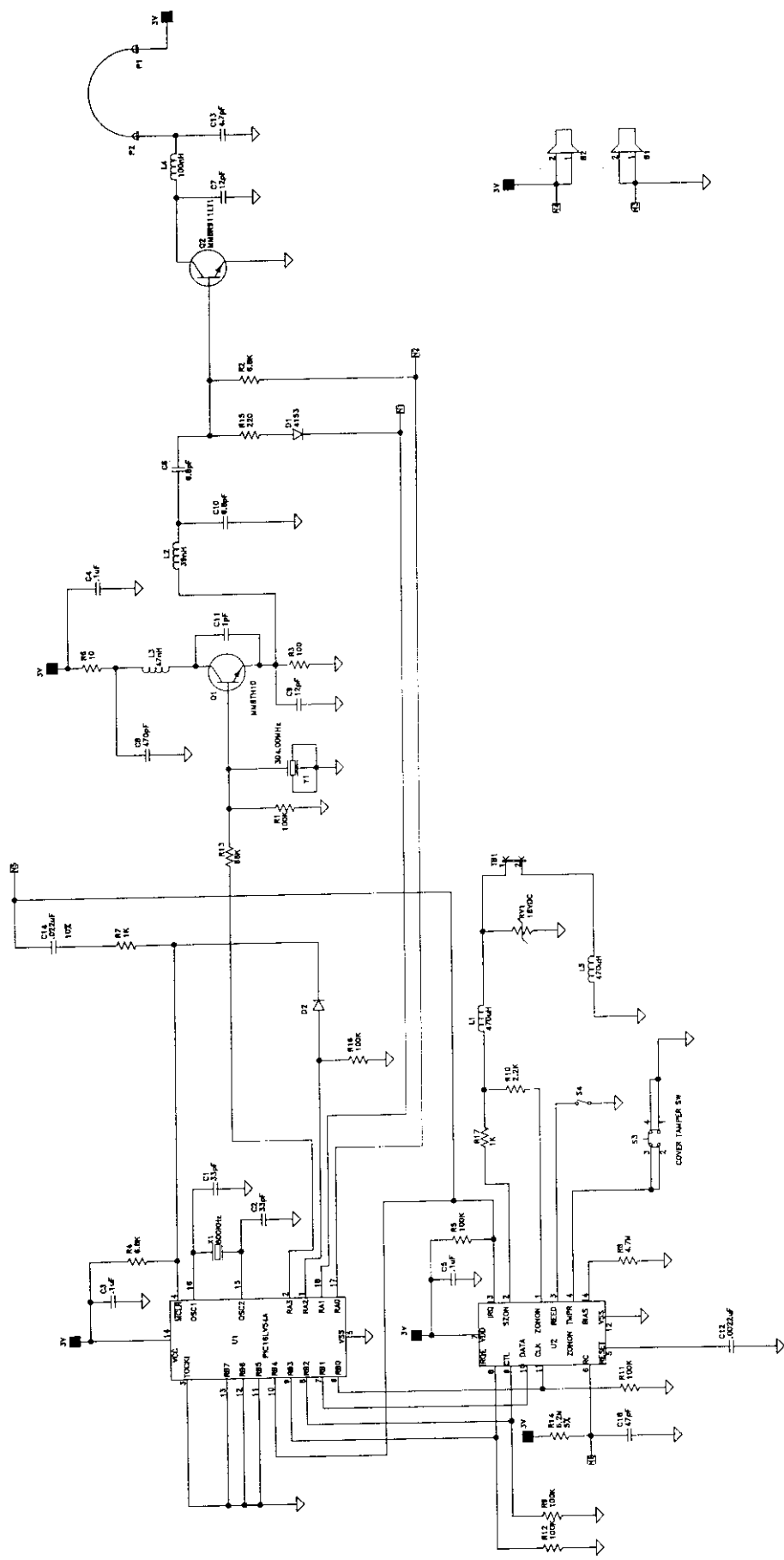


REV	DATE	DESCRIPTION	DRAWN BY
B	1/13/78	RELEASED	RWJ



- R11 100K
- R12 100K
- R13 100K
- R14 100K
- R15 100K
- R16 100K
- R17 100K
- R18 100K
- R19 100K
- R20 100K
- R21 100K
- R22 100K
- R23 100K
- R24 100K
- R25 100K
- R26 100K
- R27 100K
- R28 100K
- R29 100K
- R30 100K
- R31 100K
- R32 100K
- R33 100K
- R34 100K
- R35 100K
- R36 100K
- R37 100K
- R38 100K
- R39 100K
- R40 100K
- R41 100K
- R42 100K
- R43 100K
- R44 100K
- R45 100K
- R46 100K
- R47 100K
- R48 100K
- R49 100K
- R50 100K
- R51 100K
- R52 100K
- R53 100K
- R54 100K
- R55 100K
- R56 100K
- R57 100K
- R58 100K
- R59 100K
- R60 100K
- R61 100K
- R62 100K
- R63 100K
- R64 100K
- R65 100K
- R66 100K
- R67 100K
- R68 100K
- R69 100K
- R70 100K
- R71 100K
- R72 100K
- R73 100K
- R74 100K
- R75 100K
- R76 100K
- R77 100K
- R78 100K
- R79 100K
- R80 100K
- R81 100K
- R82 100K
- R83 100K
- R84 100K
- R85 100K
- R86 100K
- R87 100K
- R88 100K
- R89 100K
- R90 100K
- R91 100K
- R92 100K
- R93 100K
- R94 100K
- R95 100K
- R96 100K
- R97 100K
- R98 100K
- R99 100K
- R100 100K

(ds) Detection Systems Inc.
 130 Perinton Parkway
 Fairport, New York 14450-9180
 Ph: (716) 223-4080 Fax: (716) 223-9180

Design Approved	Layout/Check	Type
Design Review Date	1/13/78	RF3401
Design Approved		Schematic
Test Required		PC Board Number/Revision
Business Approved		Part Number
Release Date		Sheet
		C36277
		Rev. B

**** PROPRIETARY DATA ****
 Data furnished herein and not be
 used, duplicated or disclosed in whole
 or in part without Detection Systems Inc.
 without expressed written permission of same.