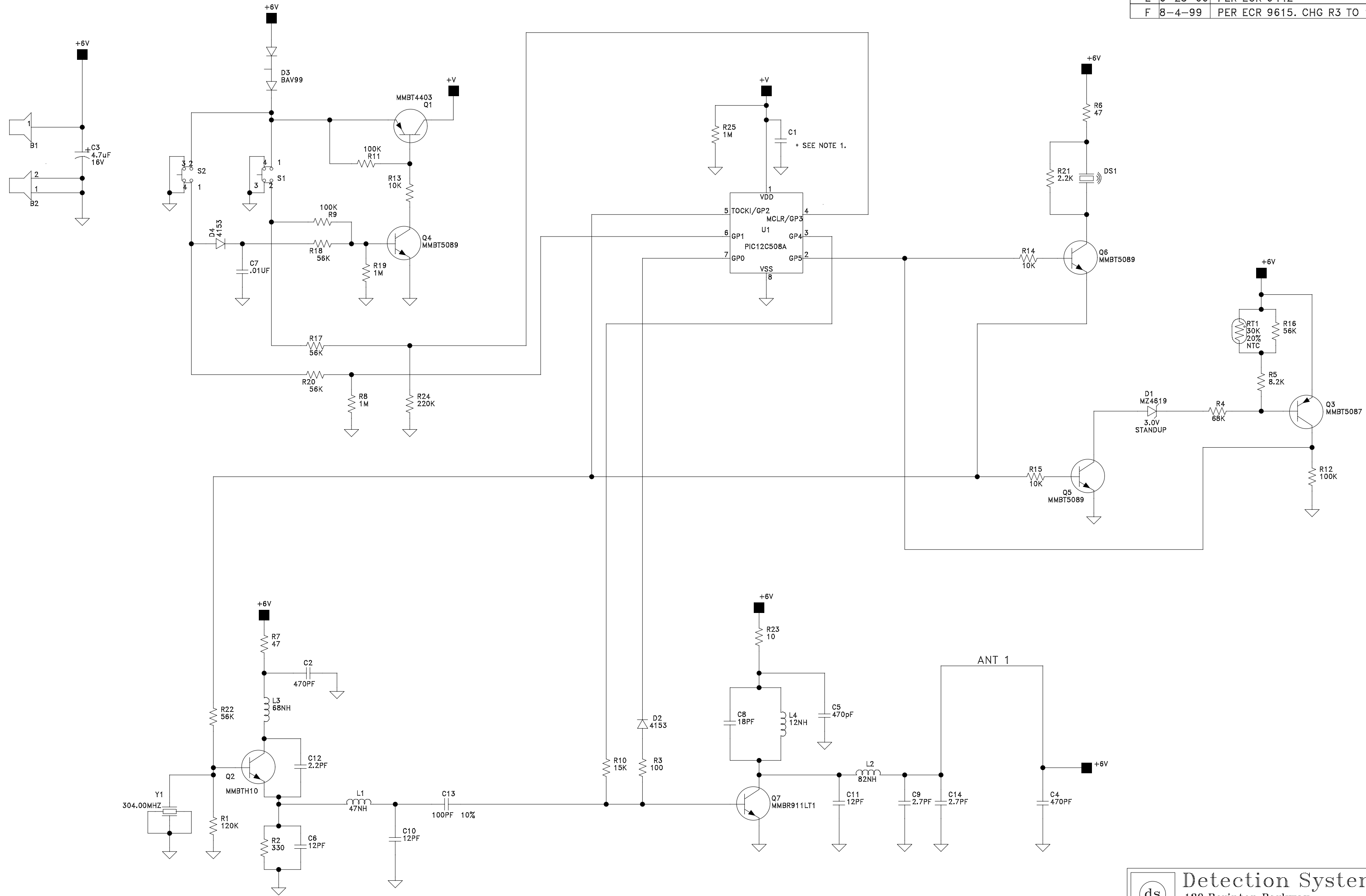


NOTES:
 1. COMPONENT/VALUE IS OPTIONAL.
 SEE BOM.

REV	DATE	DESCRIPTION	DRAWN BY
A4	6/16/98	PROTO	RWJ
B	7-1-98	RELEASED	RWJ
C	5-24-99	PER ECR 8135	RWJ
D	6-15-99	PER ECR 9435. ADD R25.	KEN A.
E	6-23-99	PER ECR 9442	RWJ
F	8-4-99	PER ECR 9615. CHG R3 TO 100 OHMS	KEN A.



A

A

B

B

TOOLING HOLES
 H3 H8

**** PROPRIETARY DATA ****
 Data contained herein shall not be used, duplicated or disclosed in whole or in part outside Detection Systems Inc., without expressed written permission of same

ds Detection Systems Inc.
 130 Perinton Parkway
 Fairport, New York 14450-9199
 Ph: (716) 223-4060 Fax: (716) 223-9180

Design Approval	Initial/Date	Title SE3 Schematic
Design Review Date		
Manuf. Reviewed		
Test Reviewed	Drawn By: RWJ	PART NUMBER C38725
Release Approval	Created 4/7/98	
Release Date	SHEET 1 OF 1	REV. F