

NOTES:

1. ALL RESISTORS +/- 5% 200PPM EXCEPT AS NOTED
2. ALL CAPACITORS > 100pF X7R +/- 10% OR BETTER
3. ALL ELECTROLYTICS +/- 20% OR BETTER
4. ALL CAPACITORS < 10 pF NPO +/- 5%
5. ALL INDUCTORS +/- 10% Q>33 Rmax =< 2 OHMS
6. SHORT TP30 AND TP43 TO PLACE IN THE ACCEL CAL MODE.
7. ONLY ONE OF U9 OR U10 IS INSTALLED, NOT BOTH.
8. SHORT TP14 AND TP22 FOR PROGRAMMING SWITCH.

SW POS	NAME	OFF	ON
S4-1	GFORCE1		
S4-2	GFORCE0		
S4-3	RF TEST	NORMAL	TEST MODE
S4-4	TX TYPE	RESET	NORMAL
S5-1	ALARM RATE 0		
S5-2	ALARM RATE 1		
S5-3	NO MOTION	OFF	ALARMS
S5-4	FAST MOTION	OFF	ALARMS

SW5 2,1	
GFORCE	1,0
3G's	OFF,OFF
4G's	OFF,ON
5G's	ON,OFF
6G's	ON,ON

NO MOTION	SW6 2,1	FAST MOTION	SW6 2,1
ALARM RATE	1,0	ALARM RATE	1,0
5SEC	OFF,OFF	60BPM	OFF,OFF
20SEC	OFF,ON	75BPM	OFF,ON
40SEC	ON,OFF	100BPM	ON,OFF
60SEC	ON,ON	150BPM	ON,ON

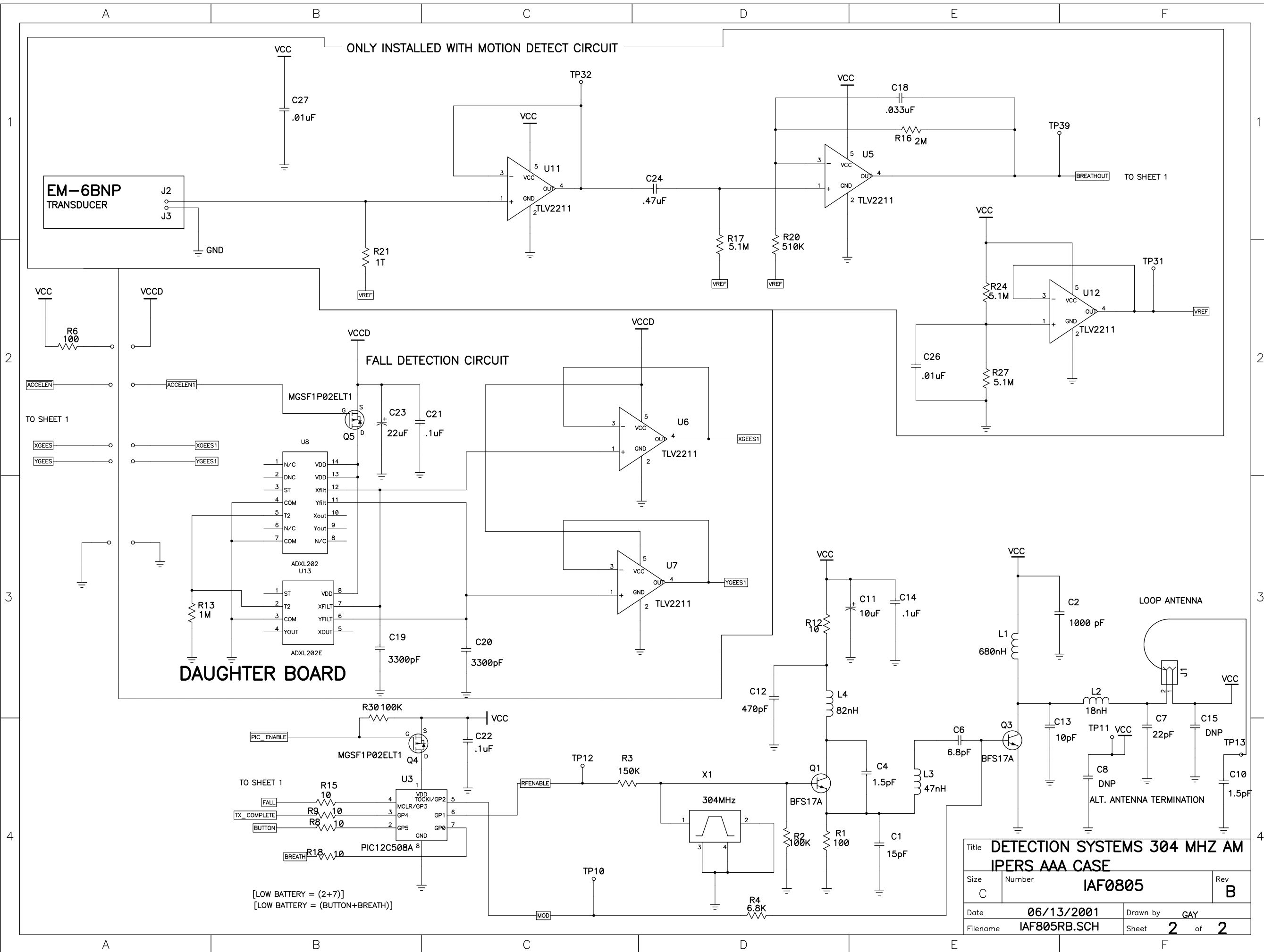
REV B: update values in RF circuit (R3, C1, C4, C6, C10, L4).
 REV A: Initial Production Release
 REV 5: update values in RF circuit and add battery reversal protection and alternate accelerometer, remove motion circuit gain switch.

Title **DETECTION SYSTEMS 304 MHZ AM
IPERS AAA CASE**

Size	Number	Rev
C	IAF0805	B

Date	06/13/2001	Drawn by	GAY
Filename	IAF805RB.SCH	Sheet	1 of 2

ECO #IAF???
 ECO #IAF153
 1-PCB-0022



Title			DETECTION SYSTEMS 304 MHZ AM		
Size			IPERS AAA CASE		
C	Number	IAF0805		Rev	B
Date	06/13/2001	Drawn by	GAY		
Filename	IAF0805RB.SCH	Sheet	2	of	2

[LOW BATTERY = (2+7)]
 [LOW BATTERY = (BUTTON+BREATH)]