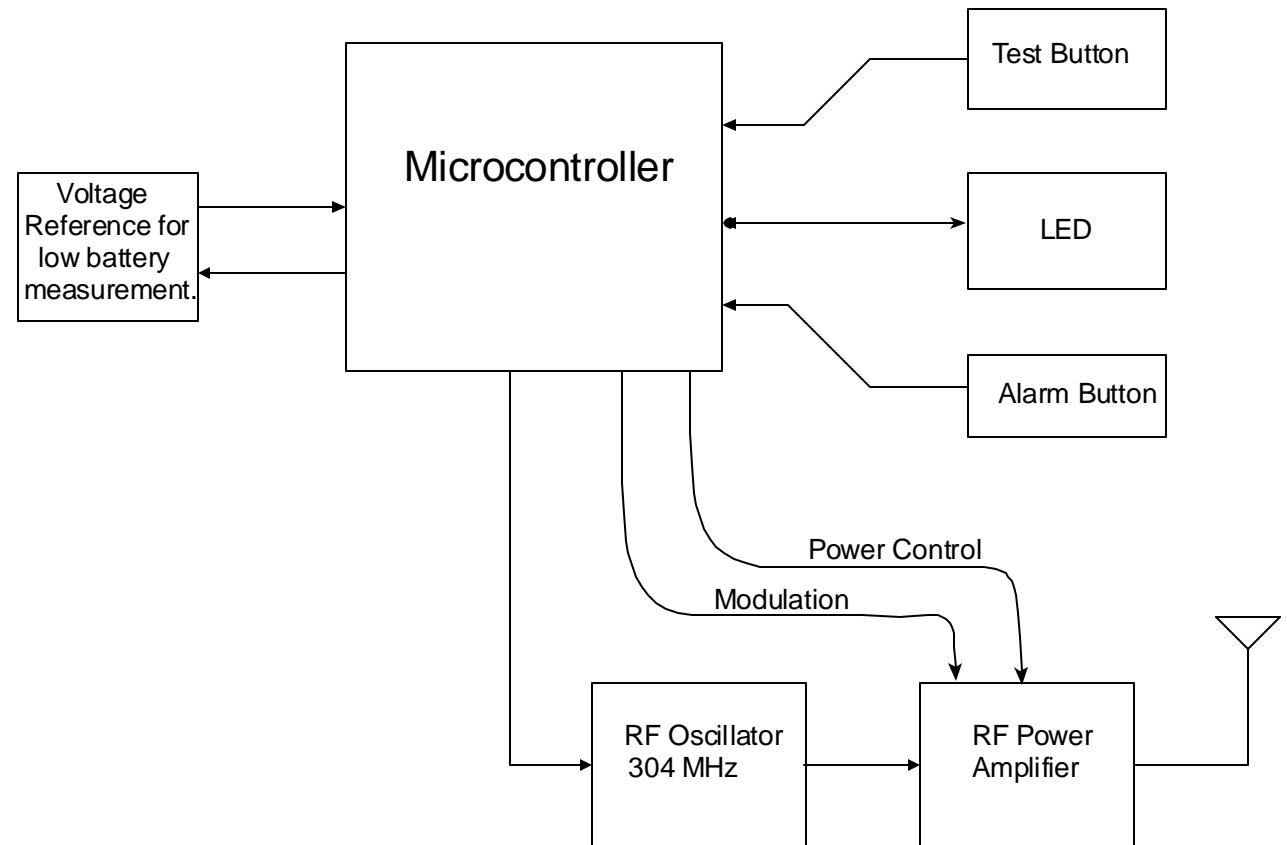



DATE	SYM	REVISION RECORD	ECR#	DR	AUTH
05/07/01	B	ACCEPTED DRAWING		LAL	HZ



PART NO. 47723B	
	detection systems DETECTION SYSTEMS, INC., 130 PERINTON PARKWAY FAIRPORT, NEW YORK, 14450, USA (716) 223 4060, FAX (716) 223 9180
DRAWING TITLE BLOCK DIAGRAM SE88	
DATE DRAWN 05/07/01	DRAWN BY: LAL APPR BY:
DRAWING NUMBER A47723	SCALE 1:1
Rev. B	SHEET 1 OF 1